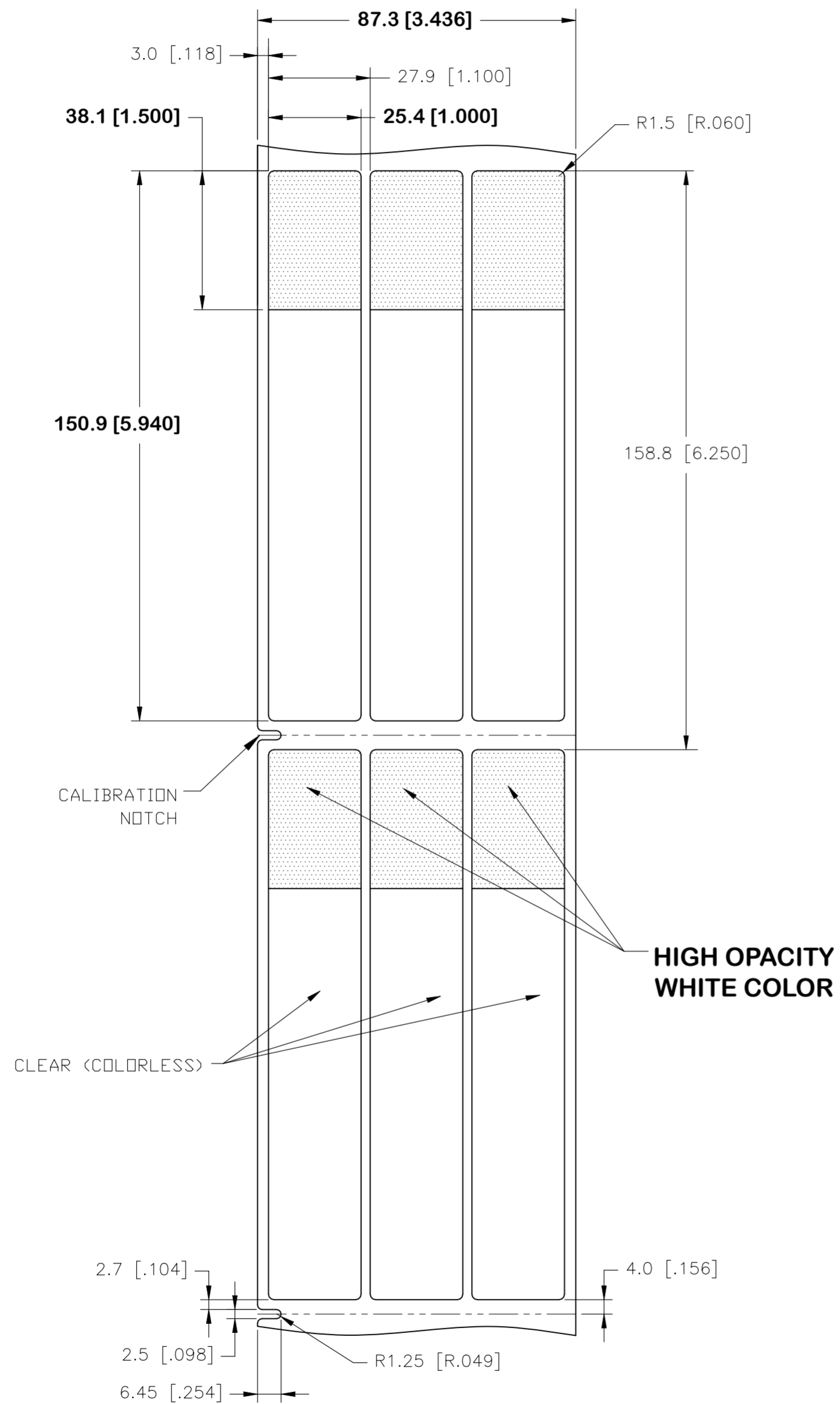
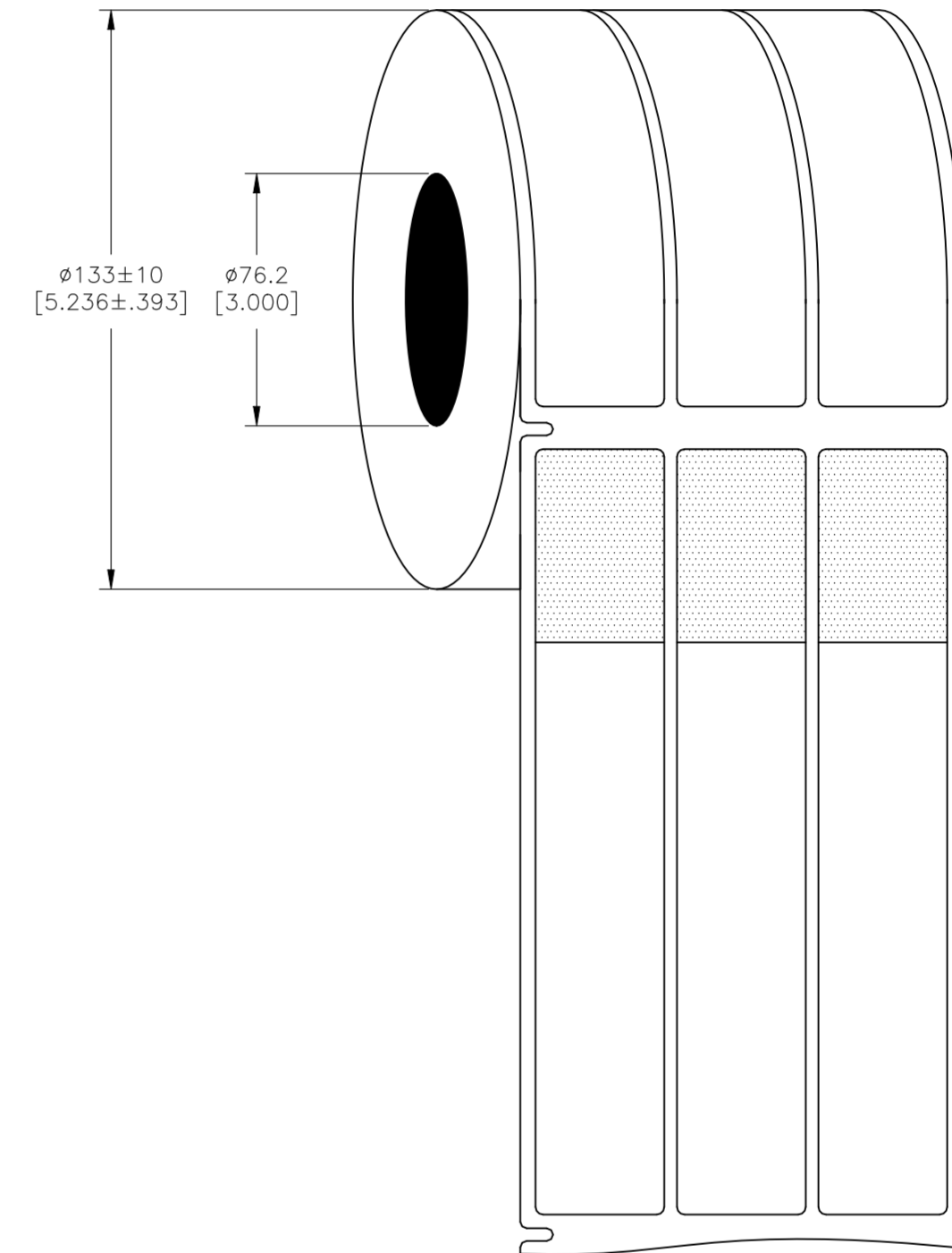


REVISIONS					
P	LTR	DESCRIPTION	DATE	DWN	APVD
F1		UL LABEL CHANGE	03JUL2024	GSK	DB

LABEL AND LINER DESIGN



PRESENTATION



OUTSIDE WOUND LABEL ACROSS: 3 PER ROLL QTY: 1000

All dimensions in mm [Inch]

TE PN: CN9928-000

UL-MARKING AND LABELLING SYSTEMS	
PGCT2 - Flag Labels, Flag Tags, Wrap-around Labels & Related Products - Component	
PGCT8 - Flag Labels, Flag Tags, Wrap-around Labels & Related Products Certified for Canada - Component	
File: MH65661	Model N°: SBP

TOLERANCES mm [INCH]	
LABEL HEIGHT:	±0.3 [.012]
LABEL WIDTH:	±0.3 [.012]
WEB WIDTH:	±0.8 [.031]
VERTICAL REPEAT:	±0.8 [.031]*
HORIZONTAL REPEAT:	±0.8 [.031]*
PRINT POSITIONING:	±0.8 [.031]*
LEFT MARGIN:	±0.4 [.016]
QUANTITY:	-0 % +2 %
*NON ACCUMULATING	

THIS DRAWING IS A CONTROLLED DOCUMENT.	
DIMENSIONS: mm [INCHES]	TOLERANCES UNLESS OTHERWISE SPECIFIED:
0 PLC ±	1 PLC ±
2 PLC ±	3 PLC ±
4 PLC ±	ANGLES ±
MATERIAL: SEE TABLE	FINISH: GLOSSY

MATERIAL: CLEAR VINYL		ADHESIVE TYPE: ACRYLIC PERMANENT	
LINEAR		WHITE KRAFT	
DWN: 20MAR2017	CHK: 20MAR2017	APVD: 20MAR2017	
NAME: D.BURGAT		TE Connectivity	
PRODUCT SPEC: TIDS-211		SBP LABEL - WHITE	
APPLICATION SPEC: -		25.4 x 150.9mm [1.00 x 5.94inch]	
SIZE: A2	CAGE CODE: 00779	DRAWING NO: C=SBP100594WE1	RESTRICTED TO: -
WEIGHT: 0.533g	SCALE: NTS	SHEET: 1 of 1	REV: F1
CUSTOMER DRAWING			