

SAFETY ORGANIZATIONS

THIS JACK HAS BEEN FORMALLY RECOGNIZED, CERTIFIED OR APPROVED BY THE LISTED AGENCY. THEREFORE, ALL TEST/REQUIREMENTS SPECIFIED IN THE LATEST REVISION OF THE FOLLOWING AGENCY STANDARDS HAVE BEEN MET.

UL RECOGNIZED                    UL 1863  
 CSA CERTIFIED                    CSA C22.2 No. 182.4

SPECIFICATIONS

CONTACTS

MATERIAL:                    PHOSPHOR BRONZE  
 PLATING:                      50 MICROINCHES GOLD  
 BARRIER UNDERPLATING: 100 MICROINCHES NICKEL  
 RESISTANCE:  
   INITIAL:                      20 MILLIOHMS MAXIMUM  
   AFTER DURABILITY TESTING (500 MATING CYCLES): 30 MILLIOHMS MAXIMUM

SHIELD MATERIAL

SOLDER-PLATED COPPER ALLOY

HOUSING MATERIAL

GLASS-FILLED POLYESTER (UL94V-D)

DIELECTRIC WITHSTANDING VOLTAGE

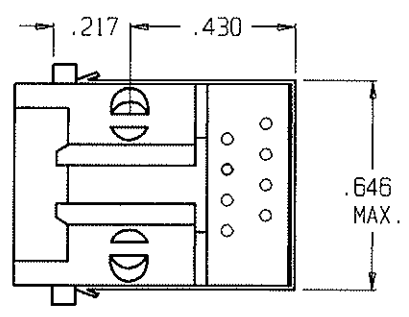
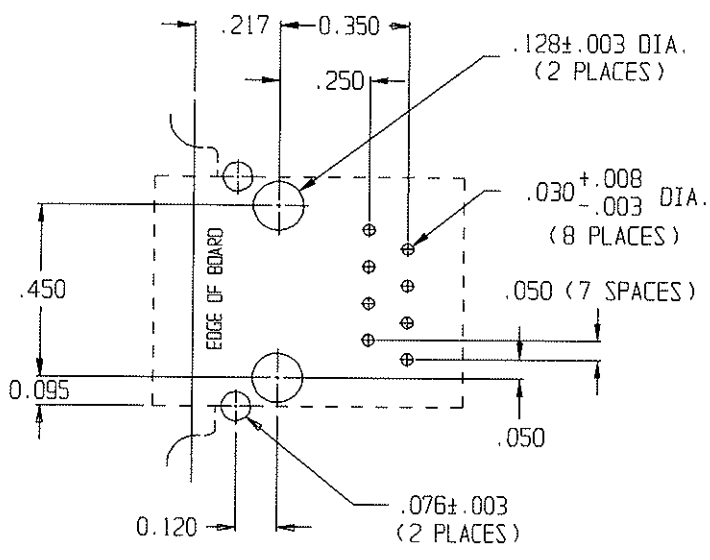
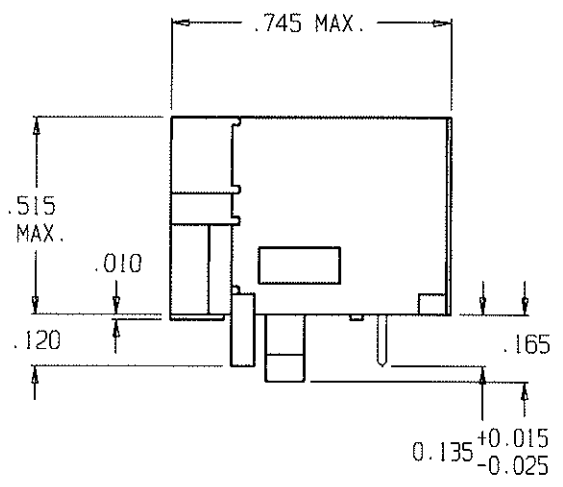
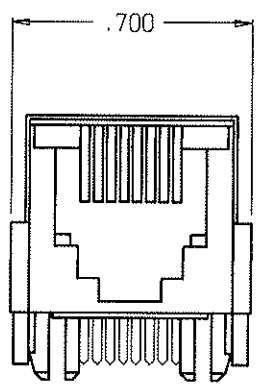
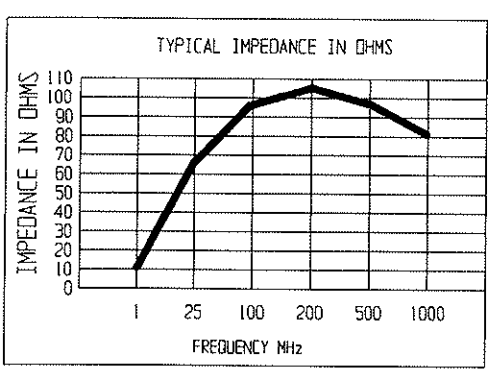
LINE-TO-LINE AND LINE-TO-GROUND    1000 VAC FOR 60 SECONDS

PRINTED CIRCUIT BOARD RETENTION

BEFORE SOLDERING:                    1 LB. MINIMUM  
 AFTER SOLDERING:                    20 LB. MINIMUM

FERRITES

TYPE:                    HIGH RESISTIVITY, NICKEL ZINC CERAMIC  
 BLOCK:                    MULTI-APERTURE RECTANGULAR PRISM



COMPLIES WITH FCC PART 68

PC BOARD LAYOUT

THIRD ANGLE PROJECTION UNLESS OTHERWISE SPECIFIED, TOLERANCE TO BE ± .010 MATERIAL & FINISH: AS SUPPLIED	844 E. ROCKLAND RD. LIBERTYVILLE IL 60048	
	<b>FILTERED MODULAR JACK</b>	
This document is proprietary to CORCOM INC. and is not to be reproduced nor used for manufacturing purposes except on CORCOM'S prior written consent.	CAD FILE: G:\CONR\J458M4B00 SCALE: NTS    DATE: 8-14-98 DRW. BY: SD    ORIG: MAC	CATALOG NO. <b>RJ45-8N4-B</b> REV. 00