

ECN #	APPROV.	DATE
1	MAC	8-19-98

SAFETY ORGANIZATIONS

THIS JACK HAS BEEN FORMALLY RECOGNIZED, CERTIFIED OR APPROVED BY THE LISTED AGENCY. THEREFORE, ALL TEST/REQUIREMENTS SPECIFIED IN THE LATEST REVISION OF THE FOLLOWING AGENCY STANDARDS HAVE BEEN MET.

UL RECOGNIZED UL 1863
 CSA CERTIFIED CSA C22.2 No. 182.4

SPECIFICATIONS

CONTACTS

MATERIAL: PHOSPHOR BRONZE
 PLATING: 50 MICROINCHES GOLD
 BARRIER UNDERPLATING: 100 MICROINCHES NICKEL
 RESISTANCE:
 INITIAL: 20 MILLIOHMS MAXIMUM
 AFTER DURABILITY TESTING
 (500 MATING CYCLES): 30 MILLIOHMS MAXIMUM

FERRITES

TYPE: HIGH RESISTIVITY, NICKEL ZINC CERAMIC
 BLOCK: MULTI-APERTURE RECTANGULAR PRISM

SHIELD MATERIAL

SOLDER-PLATED COPPER ALLOY

HOUSING MATERIAL

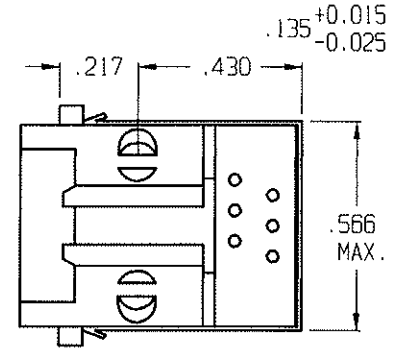
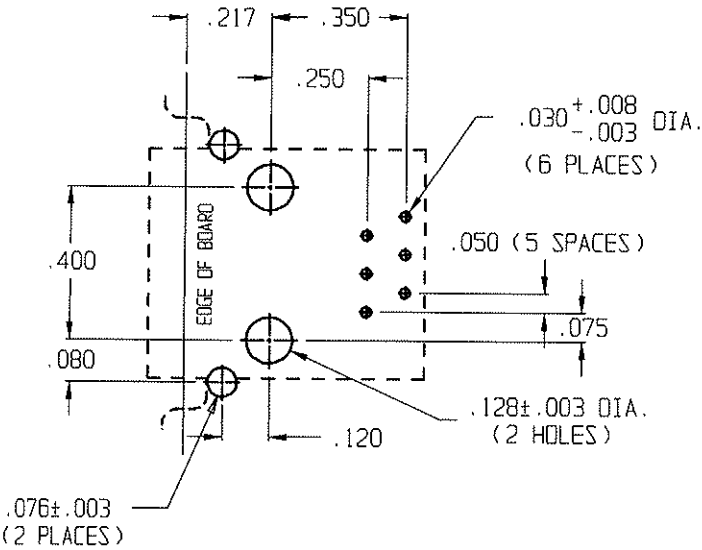
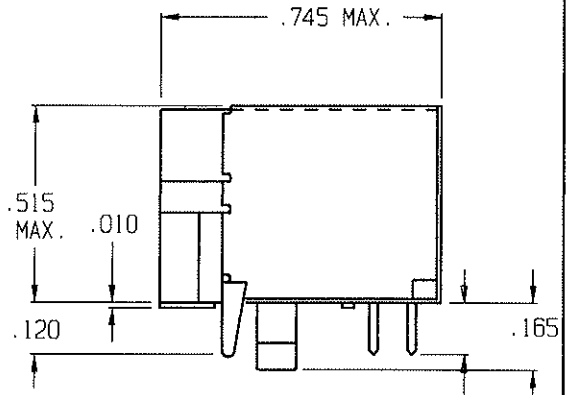
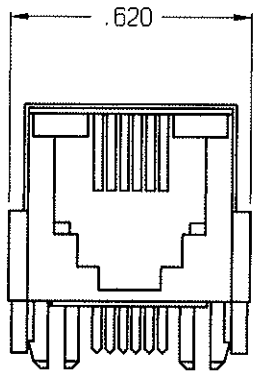
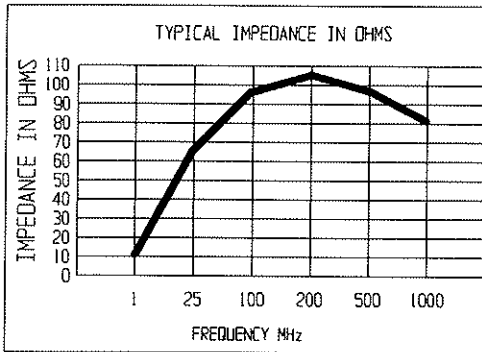
GLASS-FILLED POLYESTER (UL94V-0)

DIELECTRIC WITHSTANDING VOLTAGE

LINE-TO-LINE AND LINE-TO-GROUND 1000 VAC FOR 60 SECONDS

PRINTED CIRCUIT BOARD RETENTION

BEFORE SOLDERING: 1 LB. MINIMUM
 AFTER SOLDERING: 20 LB. MINIMUM



COMPLIES WITH FCC PART 68

PC BOARD LAYOUT

THIRD ANGLE PROJECTION UNLESS OTHERWISE SPECIFIED, TOLERANCE TO BE ± .010 MATERIAL & FINISH: AS SUPPLIED	844 E. ROCKLAND RD. LIBERTYVILLE IL 60048	
	FILTERED MODULAR JACK	
This document is proprietary to CORCOM INC and is not to be reproduced nor used for manufacturing purposes except on CORCOM'S prior written consent.	CAD FILE: G:\NCDNRJ11GMB00	REV. 00
	SCALE: NTS DRW. BY: SD	DATE: 8-14-98 ORTG: MAC