



PS811

PS8 Series Position Sensor

Features

- ✦ Adjustable operated PM81 Magnet
- ✦ Repeatability of operation
- ✦ Shunt or direct magnet operation
- ✦ Multiple Mode of Operation
- ✦ Totally encapsulated

Comments

- ✦ Threaded Barrel Mounted
- ✦ Normally Open
- ✦ Nylon 6.6 Material Housing
- ✦ Overall length 38.2mm Threaded Area
- ✦ fitted with 2 lock nuts

Applications

- ✦ Door Interlocks
- ✦ Hook Switches
- ✦ Security Systems
- ✦ Safety Interlocks
- ✦ Position Indication

PS 811

PS8 Series | Position Sensor

Material

Housing Material	Nylon 6.6
Contact Material	Ruthenium
Operating Temperature °C	-30 to 110
Housing Colour	Black

Mechanical Specifications

Shock	50g for 11ms duration
Vibration	35g up to 500Hz
IP	IP65

Switching

Switch Action (Reed Switch)	SPST
Max Switching Voltage VDC	200
Max Switching Voltage VAC	250
Max Switching Current Amps	1
Max Switching Load Watt	30
Operate Mode	Direct Axis, Parallel Axis
Contact Form	A

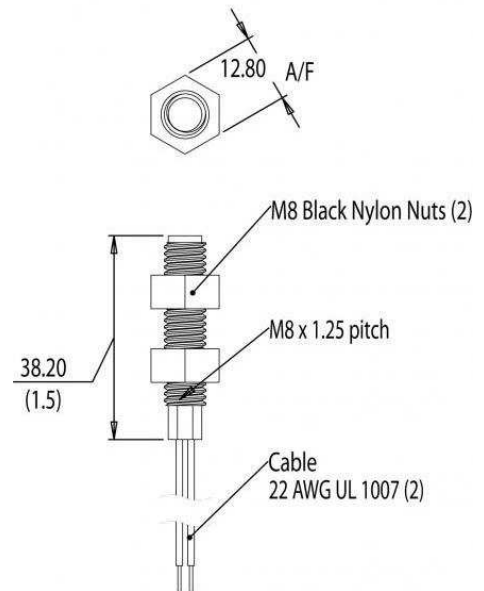
Cable

Cable Length	2 x 0.5M
Connection Type	Stripped Cables
Cable Type	22 AWG PVC insulated
Cable Colour	Black/Black

Mounting

Thread	M8 x 1.25mm
Mounting	Any Axis

Technical Drawing



NORTH AMERICA

Measurement Specialties, Inc.,
a TE Connectivity Company
Phone +1-800-522-6752
Email: customercare.hmpt@te.com

EUROPE

MEAS Deutschland GmbH(Europe)
a TE Connectivity Company
Phone: +49-800-440-5100
Email: customercare.tlse@te.com

ASIA

Measurement Specialties (China), Ltd.,
a TE Connectivity Company
Phone: +86-0400-820-6015
Email: customercare.shzn@te.com

TE.com/sensorsolutions

Measurement Specialties, Inc., a TE Connectivity company.

Accustar, American Sensor Technologies, AST, ATEXIS, DEUTSCH, IdentiCal, TruBlue, KPSI, Krystal Bond, Microfused, UltraStable, Measurement Specialties, MEAS, Schaevitz, TE Connectivity, TE, and the TE connectivity (logo) are trademarks of the TE Connectivity Ltd. family of companies. Other logos, product and company names mentioned herein may be trademarks of their respective owners.

The information given herein, including drawings, illustrations and schematics which are intended for illustration purposes only, is believed to be reliable. However, TE Connectivity makes no warranties as to its accuracy or completeness and disclaims any liability in connection with its use. TE Connectivity's obligations shall only be as set forth in TE Connectivity's Standard Terms and Conditions of Sale for this product and in no case will TE Connectivity be liable for any incidental, indirect or consequential damages arising out of the sale, resale, use or misuse of the product. Users of TE Connectivity products should make their own evaluation to determine the suitability of each such product for the specific application.