

ACCESSORIES

- Unions
- Tees / Crosses
- Manifolds / Pneumatic Tubing
- Hand Tools

Features

- Sand blasted Stainless Steel tubes
- Reducing Port Unions
- Multi-port Manifolds and Connectors

Benefits

- Complete Pneumatic Solution
- Pressure and Temperature Compatible with Scanners
- Simple & Easy Installation

Pressure Systems manufactures a host of pneumatic accessories to compliment your pressure measurement needs. High quality multi-port manifolds, reducing unions, crosses and tees are available in sizes compatible with NetScanner products, ESP Series Pressure Scanners and Data Acquisition Systems. Pneumatic accessories are made from a combination of 316 SS bulged tubes and 2024 Aluminum Stock.

In addition to our manufactured accessories, size specific retaining springs designed to secure nylon, polyurethane and vinyl tubing to the stainless steel tubes as well as hand tools to aid in the installation are available as necessary.

Specifications

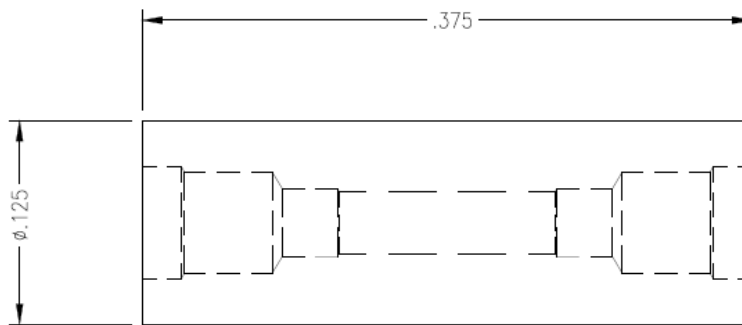
Number of ports	2, 3, 4, 8, 9, 17 & 18
Pressure connections	.040", .063", .125"
Flexible tubing O.D.	.072", .087", .125", .187" .250"
Materials	Anodized 2024 aluminum and 316 stainless steel, Bronze (Springs)

Ordering Information

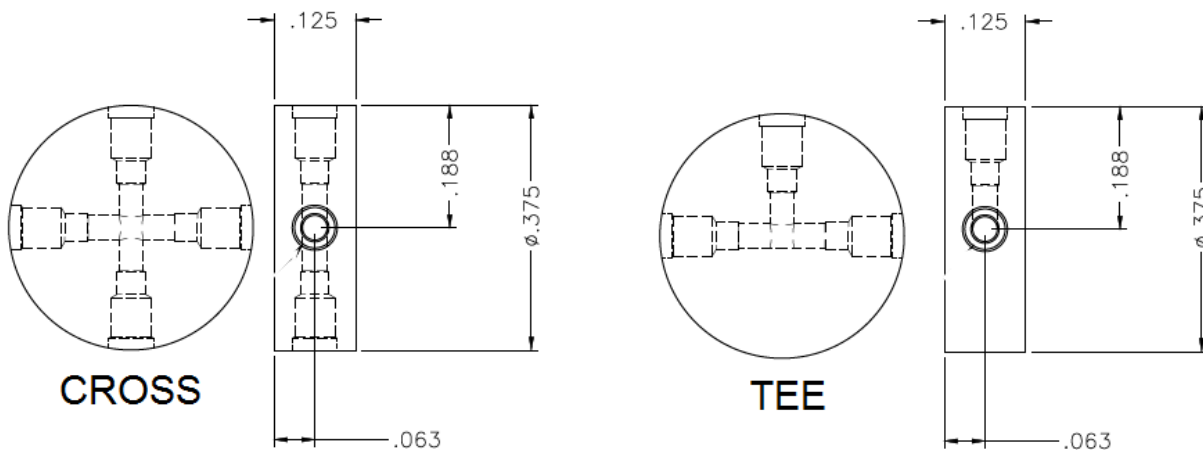
PART NUMBER	DESCRIPTION	O.D INCH	LENGTH INCH
27-07-B350S	316 SS Bulge Tube / Sand Blasted	0.041	0.350
27-07-B550S	316 SS Bulge Tube/ Sand Blasted	0.041	0.550
27-06-B350S	316 SS Bulge Tube / Sand Blasted	0.062	0.350
27-06-B550S	316 SS Bulge Tube / Sand Blasted	0.062	0.550
27-06-B850S	316 SS Bulge Tube / Sand Blasted	0.062	0.850
27-06-B1000S	316 SS Bulge Tube / Sand Blasted	0.062	1.00
27-11-B500S	316 SS Bulge Tube / Sand Blasted	0.090	0.500
27-10-B550S	316 SS Bulge Tube / Sand Blasted	0.125	0.550
27-10-B750S	316 SS Bulge Tube / Sand Blasted	0.125	0.750
12-90-2540	Bronze Retaining Spring	0.070	
12-90-2562	Bronze Retaining Spring	0.086	
12-90-2590	Bronze Retaining Spring	0.129	
12-90-10400009	Oetiker Ear Clamp	0.250	
27-02-0040	Nylon Tubing for use with 0.040" Bulge tubes	0.072	500 Feet
27-02-0040P	Polyurethane Tubing for use with 0.040" Bulge tubes	0.066	1000 Feet
27-02-0062	Nylon Tubing for use with 0.062" Bulge tubes	0.087	500 Feet
27-02-0062P	Polyurethane Tubing for use with 0.062" Bulge tubes	0.086	1000 Feet
27-03-0125	Nylon Tubing for use with 0.090" Bulge tubes	0.125	100 Feet
27-02-0187	Nylon Tubing for use with 0.125" Bulge tubes	0.187	100 Feet
27-03-0250A	Nylon Tubing for use with 0.125" Bulge tubes	0.250	100 Feet
27-03-125HP	Nylon Tubing for use with 1/8" Compression Fittings	0.125	250 Feet
27-09-RD02	Red Vinyl Tubing for use with 1/4" Compression Fittings	0.250	500 Feet
27-09-BL02	Blue Vinyl Tubing for use with 1/4" Compression Fittings	0.250	500 Feet
RDCR-0.040-0.063	Reducer, 0.063 to 0.040		
RDCR-0.040-0.125	Reducer, 0.125 to 0.040		
RDCR-0.063 -0.125	Reducer, 0.125 to 0.063		
STRAIGHT-0.040	Union 0.040 to 0.040		
STRAIGHT-0.063	Union 0.063 to 0.063		
STRAIGHT-0.125	Union 0.125 to 0.125		
CROSS-0.040	Four Way Union, 0.040		
CROSS-0.063	Four Way Union, 0.063		
CROSS-0.125	Four Way Union, 0.125		
TEE-0.040	Three Way Union, 0.040		
TEE-0.063	Three Way Union, 0.063		
TEE-0125	Three Way Union, 0.125		

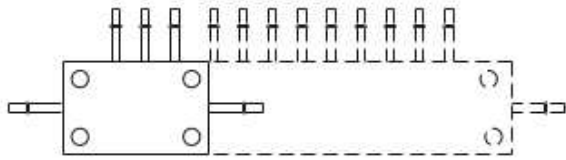
Ordering Information

PART NUMBER	DESCRIPTION	O.D INCH	LENGTH INCH
MULTI-040-08	Multi-Port Manifold, 8 Tubes	0.040	
MULTI-040-09	Multi-Port Manifold, 9 Tubes	0.040	
MULTI-040-17	Multi-Port Manifold, 17 Tubes	0.040	
MULTI-040-18	Multi-Port Manifold, 18 Tubes	0.040	
MULTI-063-08	Multi-Port Manifold, 8 Tubes	0.063	
MULTI-063-09	Multi-Port Manifold, 9 Tubes	0.063	
MULTI-063-17	Multi-Port Manifold, 17 Tubes	0.063	
MULTI-063-18	Multi-Port Manifold, 18 Tubes	0.063	
38-15-1000	Wrench, Tubing, Bent, 3/8" & 7/16"		
38-15-1041	Wrench, Tubing, Bent, 1/2" & 9/16"		
STP2-0000000000	Pliers of 0.040" & 0.063" Tubing Installation		



RDCR & STRAIGHT

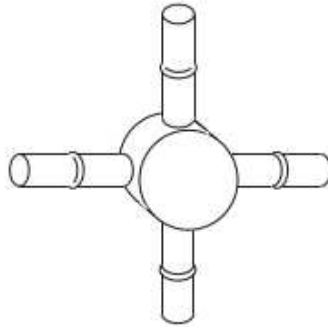




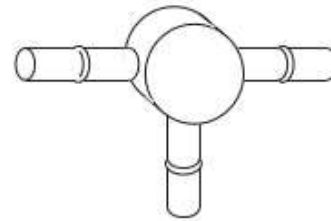
Multi-connector
18 Tube Maximum



Straight



Cross



Tee



Reducer



Bulged Tube

NORTH AMERICA

Measurement Specialties, Inc.,
a TE Connectivity Company
1000 Lucas Way
Hampton, VA 23666 USA
Tel +1 757 766 1500
Fax +1 757 766 4297
Customercare.hmp1@te.com

te.com/sensorsolutions

Measurement Specialties, Inc., a TE Connectivity company.

Measurement Specialties, MEAS, TE Connectivity, TE Connectivity (logo) and EVERY CONNECTION COUNTS are trademarks. All other logos, products and/or company names referred to herein might be trademarks of their respective owners.

The information given herein, including drawings, illustrations and schematics which are intended for illustration purposes only, is believed to be reliable. However, TE Connectivity makes no warranties as to its accuracy or completeness and disclaims any liability in connection with its use. TE Connectivity's obligations shall only be as set forth in TE Connectivity's Standard Terms and Conditions of Sale for this product and in no case will TE Connectivity be liable for any incidental, indirect or consequential damages arising out of the sale, resale, use or misuse of the product. Users of TE Connectivity products should make their own evaluation to determine the suitability of each such product for the specific application.

© 2015 TE Connectivity Ltd. family of companies All Rights Reserved.