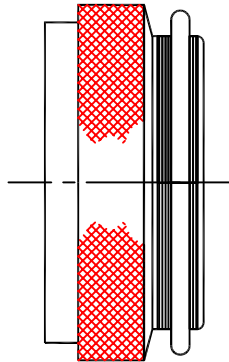


REVISION			
LTR	DESCRIPTION	DATE	APPROVED
C	REVISED PER ECO-14-002033	02/11/14	I. MYONG




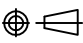
## PANCAKE TINEL-LOCK ADAPTER

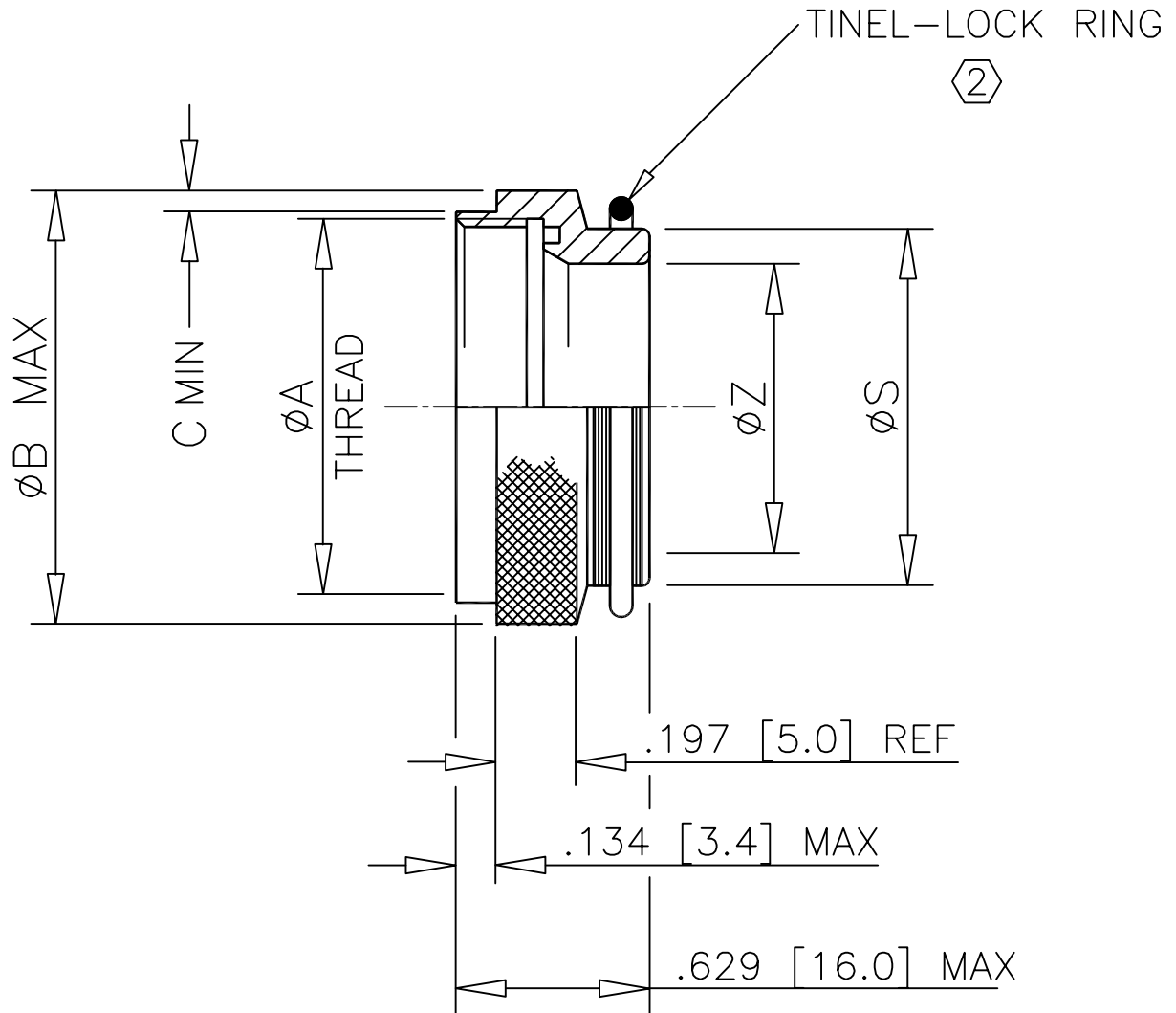
### NOTES:

1. THIS PRODUCT IS DESIGNED TO TERMINATE A BRAIDED CABLE SHIELD AND A HEAT SHRINKABLE LIPPED BOOT TO A CONNECTOR.
- ② SEE DRAWING "TR" FOR DETAILS ON TINEL-LOCK RING. RINGS ARE DESIGNED TO BE HEATED ELECTRICALLY. ALL RINGS ARE MARKED WITH THERMOCHROMIC PAINT WHICH CHANGES COLOR WHEN INSTALLATION TEMPERATURE IS REACHED.
3. ADAPTER TO BE PERMANENTLY MARKED WITH CODE IDENT. NO. AND PART NO. LESS RING DESIGNATOR (E.G.: 06090-PNT54AB00-1410). RINGS SHALL BEAR NO MARKING.
- 4 FOR PART NUMBER BREAKDOWN SEE CH00-0250-008. REPLACE "TXR" DESIGNATOR WITH "PNT". TINEL-LOCK RING IS TO BE SPECIFIED IN PART NUMBER WHEN ORDERING.
- ⑤ ADAPTER MATES TO MIL-C-81703, SERIES III, MS3424, MS3446, MS3464, MS3467 AND MS3468 CLASSES E AND L.
- ⑥ ADAPTER MATES TO MIL-C-5015G, MS3400 SERIES CLASS D, E, K, L, U AND W: MS3400, MS3401, MS3404, MS3406, MS3450, MS3451, MS3454, MS3456, MS3470, MS3471, MS3472, MS3474, MS3475 AND MS3476.  
MIL-C-83723 SERIES II, CLASS A AND L, MIL-C-83723 SERIES I AND III CLASS A, G, K, R AND S:  
M83723/1 TO /8, /13, /14, /36 TO /43, /48, /49, /65 TO /78, /82 TO /87, /91, /92, /95, /97 AND /98, (MS3155 CONTROLLED INTERFACE).
- ⑦ REPLACE \* WITH A OR B (SEE DRAWING: TR).

© 2014 Tyco Electronics Corporation. All rights reserved.

Raychem Adapters  
CUSTOMER DRAWING

THIS DRAWING AND THE INFORMATION SET FORTH HEREON ARE THE PROPERTY OF TYCO ELECTRONICS AND ARE TO BE HELD IN TRUST AND CONFIDENCE. PUBLICATION, DUPLICATION, DISCLOSURE, OR USE FOR ANY PURPOSE NOT EXPRESSLY AUTHORIZED IN WRITING BY TYCO ELECTRONICS IS PROHIBITED.	DRAWN: T. NGUYEN	DATE: 01/28/2014	 TE Connectivity
	CHECKED: I. MYONG	DATE: 01/29/2014	
	APPROVED: I. MYONG	DATE: 01/30/2014	
UNLESS OTHERWISE SPECIFIED DIMENSIONS ARE IN INCHES.	APPROVED: _____	DATE: ___/___/___	TITLE: TINEL-LOCK ADAPTER PANCAKE - CODE 54
DECIMALS TOLERANCES: XXX ± .005 [0.13mm] XX ± .01 [0.25mm] X ± .1 [0.50mm]	CAD FILE: PNT54.dwg	THIRD ANGLE PROJECTION: 	DRAWING NO: PNT54
ANGLES TOLERANCE: ± 1°	MATERIAL: SEE NOTES	FINISH: SEE NOTES	RPN: N/A
			CAGE CODE: 06090
			SIZE: A
			SCALE: DO NOT SCALE
			SHEET: 1_OF_3



© 2014 Tyco Electronics Corporation. All rights reserved. Raychem Adapters CUSTOMER DRAWING

		DRAWING NO: PNT54	
CAD FILE: PNT.DWG	CAGE CODE: 06090	RPN: N/A	SIZE: A
		SCALE:	THIRD ANGLE PROJ.
			SHEET: 2_OF_3

TABLE I

ORDER NUMBER	SHELL SIZE		ENTRY SIZE	ØA UNIFIED THREAD CLASS 2B	ØB MAX	C MIN
	⬡5	⬡6				
08		8/8S	04	0.500-20 UNF	.65 [16.5]	.040 [1.00]
10		10/10S/10SL	06	0.625-24 UNEF	.77 [19.6]	.040 [1.00]
12	7	12/12S	08	0.750-20 UNEF	.90 [22.9]	.040 [1.00]
14	12	14/14S	10	0.875-20 UNEF	1.04 [26.4]	.040 [1.00]
16	19	16/16S	12	1.000-20 UNEF	1.22 [31.0]	.065 [1.65]
18	27	18	14	1.062-18 UNEF	1.28 [32.5]	.065 [1.65]
20	37	20	16	1.188-18 UNEF	1.40 [35.6]	.065 [1.65]
22		22	18	1.312-18 UNEF	1.53 [38.9]	.065 [1.65]
24		24	20	1.438-18 UNEF	1.65 [41.9]	.065 [1.65]

TABLE II

ENTRY SIZE	ØZ +.010 -.020 [+0.25] [-0.50]	ØS		RING SIZE ⬡7
04	.265 [ 6.75]	.438 .432	11.13 10.97	TR05*I
06	.375 [ 9.52]	.563 .556	14.31 14.12	TR07*I
08	.500 [12.70]	.627 .618	15.93 15.69	TR08*I
10	.577 [14.66]	.752 .742	19.11 18.84	TR10*I
12	.703 [17.86]	.877 .867	22.28 22.02	TR12*I
14	.782 [19.86]	1.002 .991	25.46 25.17	TR14*I
16	.906 [23.01]	1.127 1.116	28.63 28.34	TR16*I
18	1.031 [26.19]	1.252 1.241	31.81 31.52	TR18*I
20	1.156 [29.36]	1.377 1.366	34.98 34.69	TR20*I

Raychem Adapters  
© 2014 Tyco Electronics Corporation. All rights reserved. CUSTOMER DRAWING



TE Connectivity

DRAWING NO:

PNT54

CAD FILE:  
PNT54.DWGCAGE CODE:  
06090RPN:  
N/ASIZE:  
ASCALE:  
THIRD ANGLE PROJ.  
SHEET:  
3\_OF\_3