

4

3

2

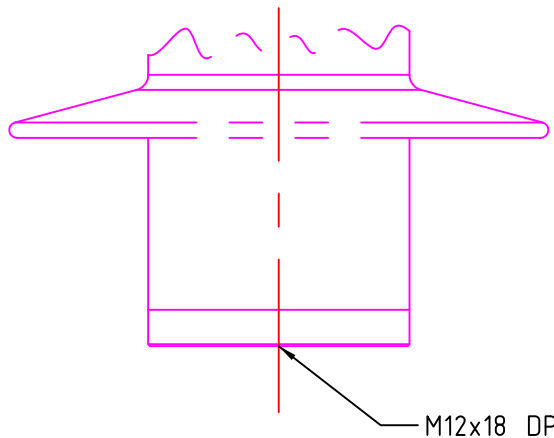
1

THIS DRAWING IS UNPUBLISHED. RELEASED FOR PUBLICATION - . - .

© COPYRIGHT - TE CONNECTIVITY IRELAND LTD, ISC, BLOCK 1, UNIVERSITY OF LIMERICK (NTP), CASTLETRY, LIMERICK, IRELAND ALL RIGHTS RESERVED.

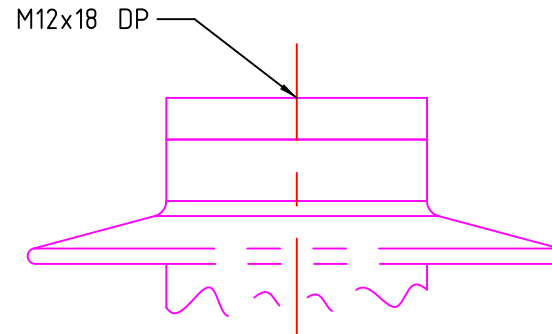
LOC	DIST	REVISIONS				
P	LTR	DESCRIPTION	DATE	DWN	APVD	
-	-	A	ORIGINAL ISSUE	06/14	JM	-

EARTH



M12x18 DP


LINE



M12x18 DP

MOUNT

NO MOUNTING BRACKET SUPPLIED

THIS DRAWING IS A CONTROLLED DOCUMENT.		DWN J MULLIGAN	26/06/2014	 TE Connectivity	
DIMENSIONS: mm		CHK R ULBRYCH	-		
TOLERANCES UNLESS OTHERWISE SPECIFIED:		APVD P FITZGERALD	-	NAME MV SURGE ARRESTER	
0 PLC ± 1		PRODUCT SPEC	MVSA-TER-x-0	LINE / EARTH TERMINATION - 0	
1 PLC ± 0.1		APPLICATION SPEC	-	MVSA-TER-x-0	
2 PLC ± 0.01		SIZE	A3	CAGE CODE	00779
3 PLC ± 0.001		DRAWING NO	G=		MV-TER-00323-C
4 PLC ± 0.0001		WEIGHT	0kg		RESTRICTED TO
4 PLG ANGLES ± 1		CUSTOMER DRAWING	SCALE 1:1		SHEET 1 OF 1
MATERIAL	FINISH	CUSTOMER DRAWING		SCALE	1:1
ALL FITTINGS M12, A2 SS	-	CUSTOMER DRAWING		SHEET	1 OF 1
				REV	A