

4

3

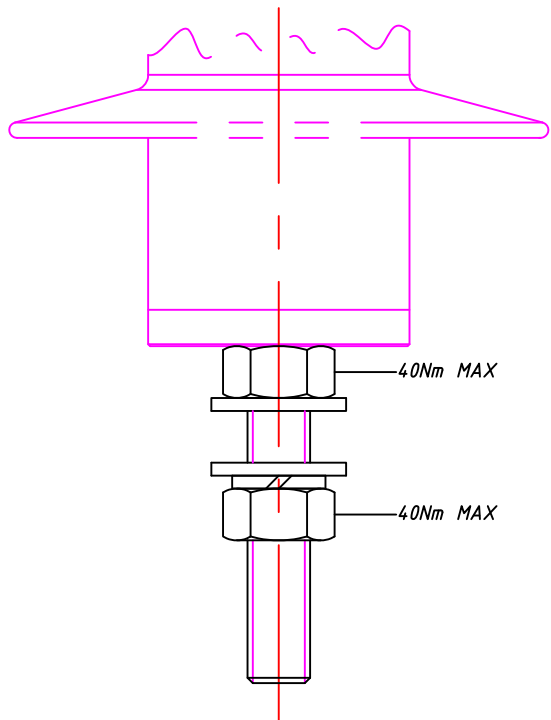
2

1

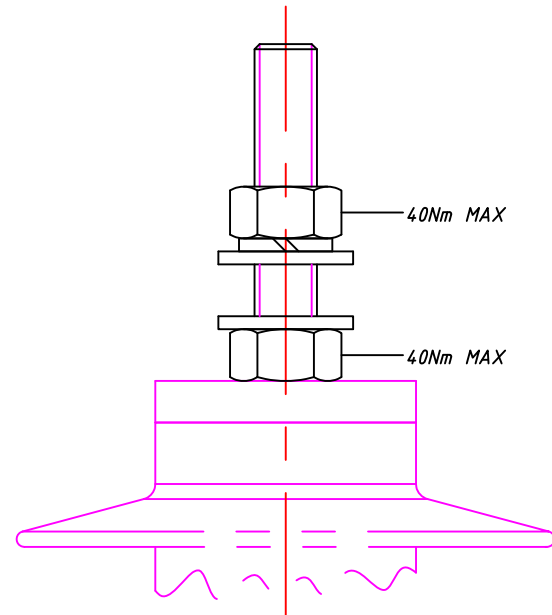
THIS DRAWING IS UNPUBLISHED. RELEASED FOR PUBLICATION
 © COPYRIGHT - TE CONNECTIVITY IRELAND LTD, ISC, BLOCK 1, UNIVERSITY OF LIMERICK (NTP), CASTLETRY, LIMERICK, IRELAND

| LOC | DIST | REVISIONS | | | |
|-----|------|----------------|-------|-----|------|
| P | LTR | DESCRIPTION | DATE | DWN | APVD |
| - | - | ORIGINAL ISSUE | 06/14 | JM | - |

EARTH



LINE



| | | | | |
|--|--------|---------------------------------|------------------------------|------------------|
| THIS DRAWING IS A CONTROLLED DOCUMENT. | | DWN J MULLIGAN 25/06/2014 | STE TE Connectivity | |
| DIMENSIONS: mm | | CHK R ULBRYCH | | |
| TOLERANCES UNLESS OTHERWISE SPECIFIED: | | APVD P FITZGERALD | MV SURGE ARRESTER | |
| 0 PLC ± 1 | | PRODUCT SPEC | LINE / EARTH TERMINATION - L | |
| 1 PLC ± 0.1 | | APPLICATION SPEC | MVSA-TER-x-L | |
| 2 PLC ± 0.01 | | SIZE | CAGE CODE | DRAWING NO |
| 3 PLC ± 0.001 | | A3 | 00779 | G=MV-TER-00066-C |
| 4 PLC ± 0.0001 | | WEIGHT | RESTRICTED TO | |
| ANGLES ± 1 | | 0.084kg | - | |
| MATERIAL | FINISH | CUSTOMER DRAWING | | SCALE |
| ALL FITTINGS M12, A2 SS | - | 1:1 | | SHEET |
| | | 1 OF 1 | | REV |
| | | | | A |