

4

3

2

1

THIS DRAWING IS UNPUBLISHED.

RELEASED FOR PUBLICATION

-. - .

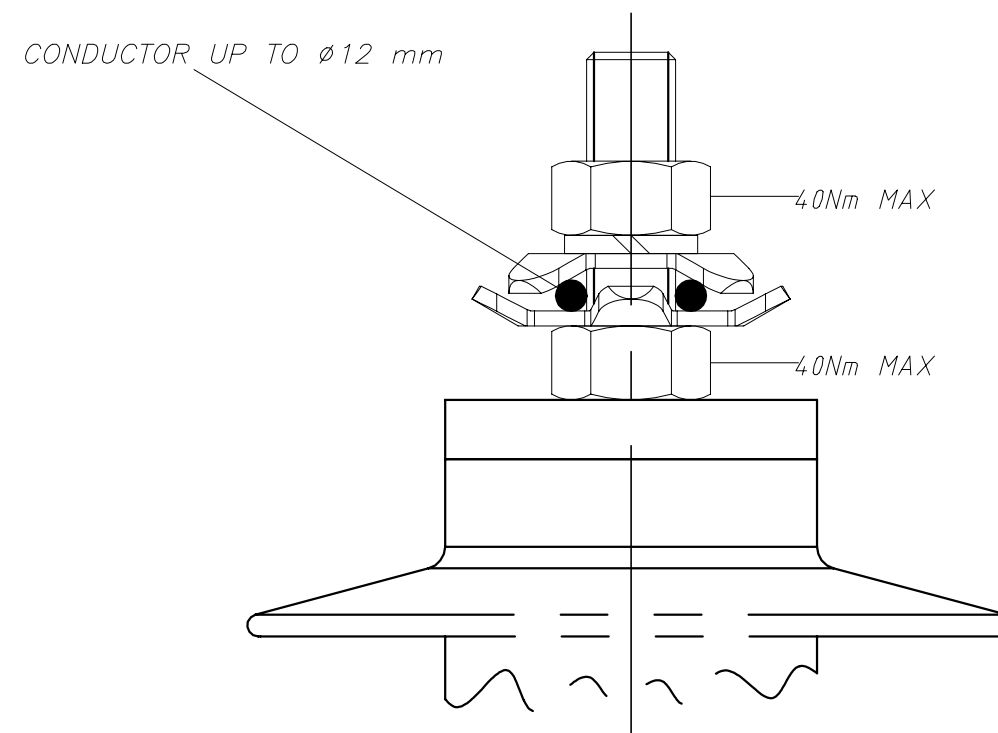
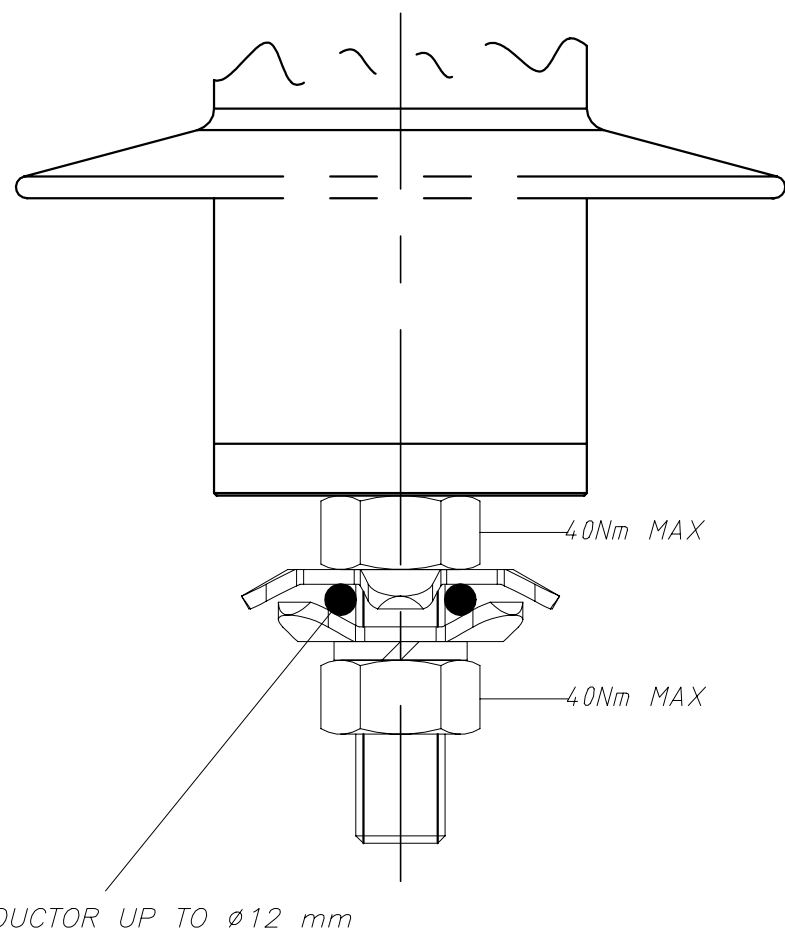
© COPYRIGHT - TE CONNECTIVITY IRELAND LTD, ISC, BLOCK 1, UNIVERSITY OF LIMERICK (NTP), CASTLETROY, LIMERICK, IRELAND


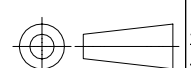
ALL RIGHTS RESERVED.

LOC	DIST	REVISIONS					
		P	LTR	DESCRIPTION	DATE	DWN	APVD
-	-		A	ORIGINAL ISSUE	06/14	JM	-
			A1	REVISED PER ECO-21-004989	08APR2021	RS	CF

EARTH

LINE



THIS DRAWING IS A CONTROLLED DOCUMENT.		DWN	25/06/2014					
		CHK	J MULLIGAN				NAME MV SURGE ARRESTER LINE / EARTH TERMINATION - M MVSA-TER-x-M	
		APVD	R ULBRYCH					
		PRODUCT SPEC	P FITZGERALD					
DIMENSIONS: mm		TOLERANCES UNLESS OTHERWISE SPECIFIED:		APPLICATION SPEC	BM0433-000			
		0 PLC	± 1	SIZE		CAGE CODE	DRAWING NO	RESTRICTED TO
		1 PLC	± 0.1	A3		00779	GMV-TER-00036-C	-
		2 PLC	± 0.01	WEIGHT		0.09kg		SCALE
		3 PLC	± 0.001	CUSTOMER DRAWING		1:1		SHEET
		4 PLC	± 0.0001			1 OF 1		REV
MATERIAL		ANGLES	± 1					A1
ALL FITTINGS M12, A2 SS		FINISH	-					