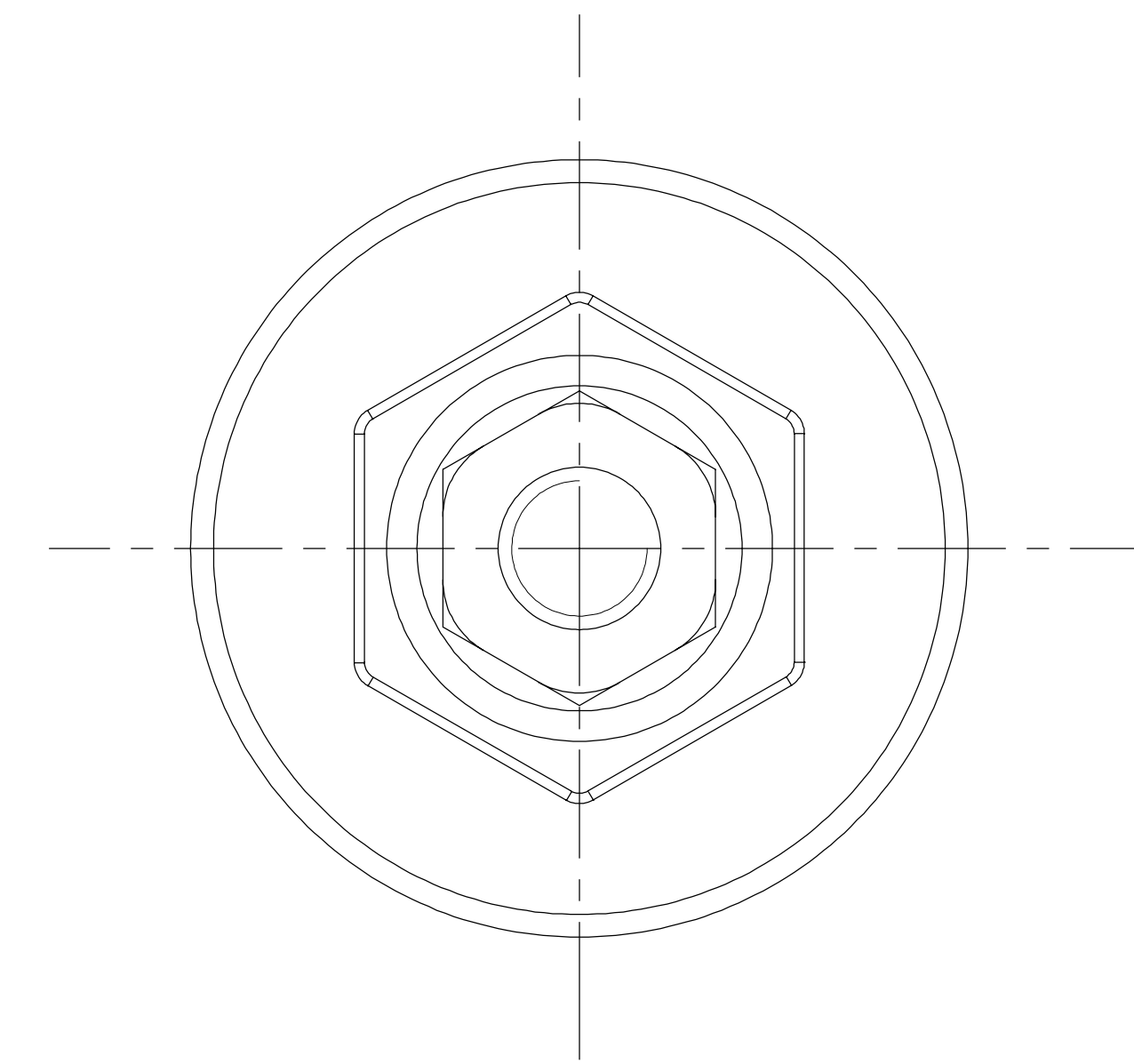
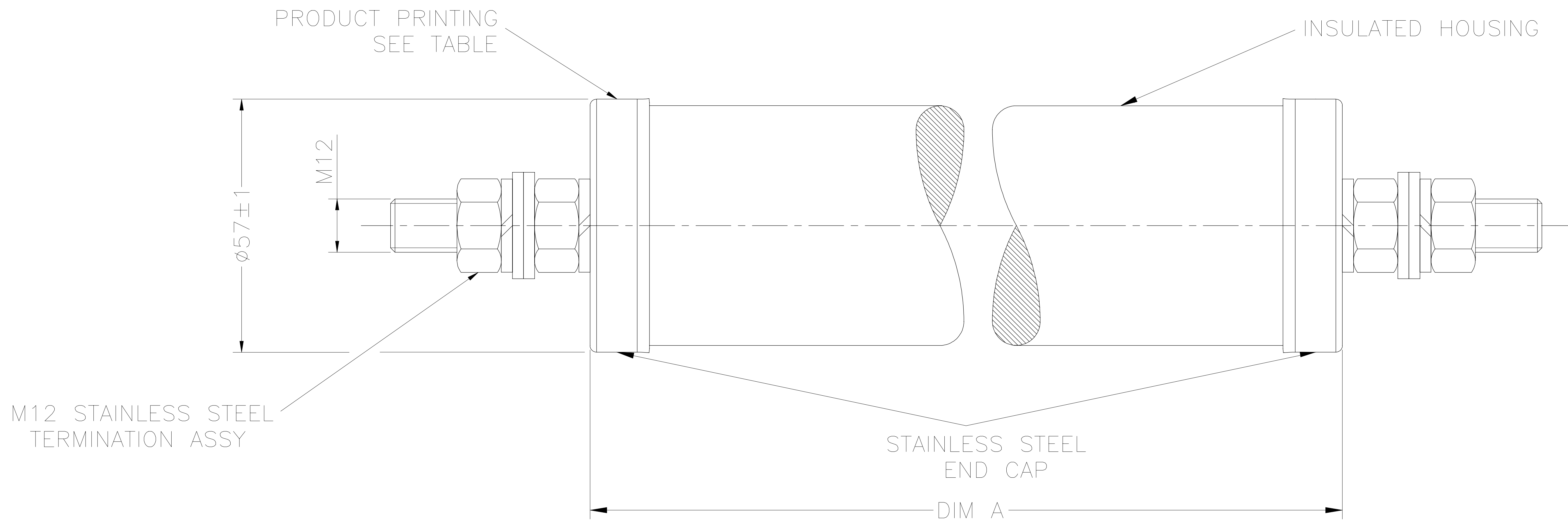
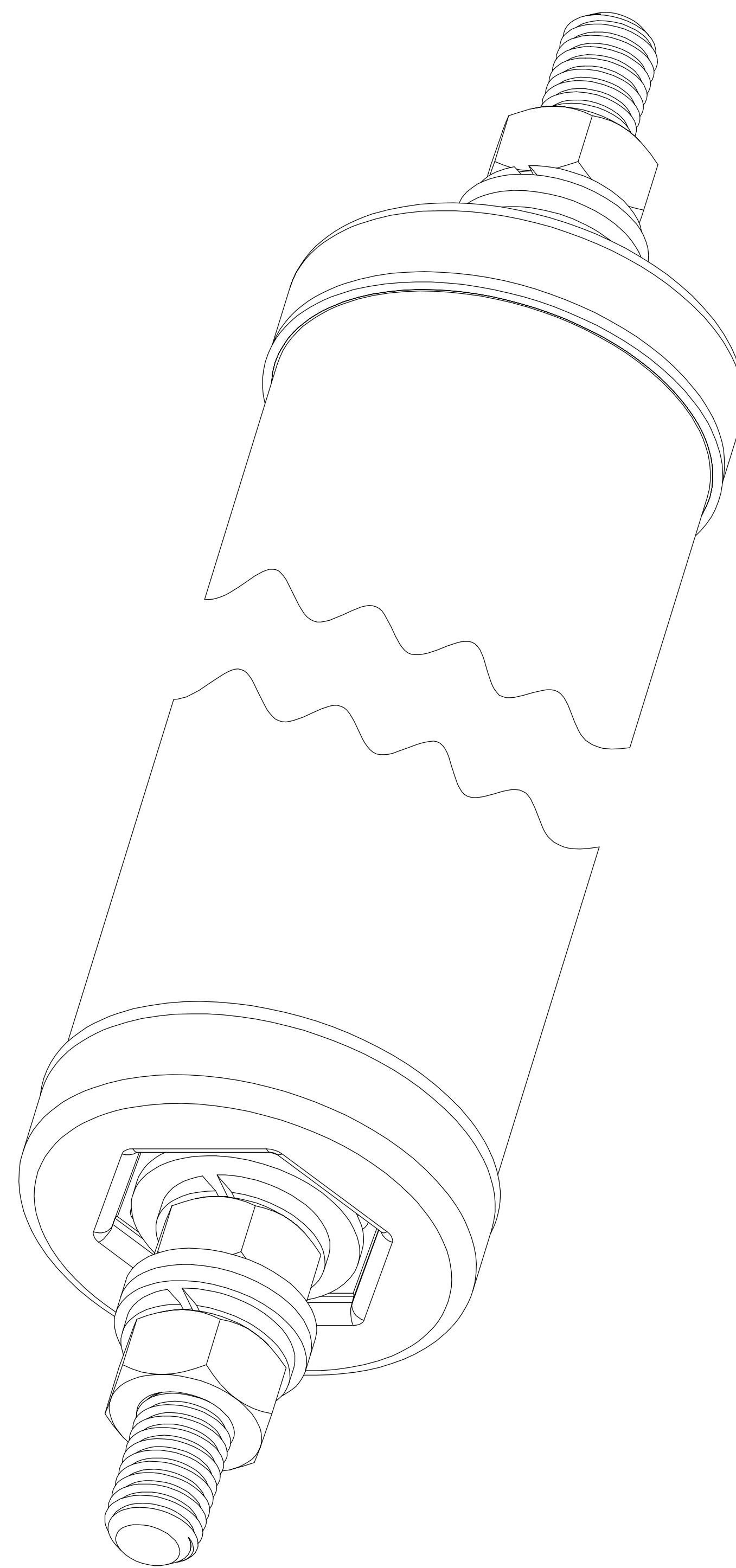


THIS DRAWING IS UNPUBLISHED. RELEASED FOR PUBLICATION  
 ALL RIGHTS RESERVED  
 COPYRIGHT - TE CONNECTIVITY IRELAND LTD, ISC, BLOCK 1, UNIVERSITY OF LIMERICK (NTP), CASTLETROY, LIMERICK, IRELAND

LOC	DIST	REVISIONS				
P	LTR	DESCRIPTION	DATE	DWN	APVD	
C		ECO-18-008853	06/18	JM	-	
C1		ADDED SPA-36	07/23	AS	CF	



TCPN	DESCRIPTION	DIM A	+/-	Uc (kV)	Ur (kV)
154165-000	SPA-06	137.5	2	6	7.5
205513-000	SPA-09	166.5	2	9	11.25
944163-000	SPA-10	178.5	3	10	12.5
446847-000	SPA-12	198.5	3	12	15
860531-000	SPA-15	299.5	3	15	18.75
464095-000	SPA-18	329.5	4	18	22.5
023097-000	SPA-21	359.5	4	21	26.25
928475-000	SPA-24	392.5	4	24	30
272765-000	SPA-30	518.5	7	30	37.5
933455-000	SPA-36	584.5	7	36	45



**PRODUCT PRINTING**

**Raychem PolyGarde 10kA Is: - Class 1 IEC 99-4  
 SPA-xx Uc xxxkV Ur xxkV YEAR Lot #**

REFER TO TECHNICAL DATASHEETS FOR ALL OTHER PRODUCT DETAILS

THIS DRAWING IS A CONTROLLED DOCUMENT.		DWN J MULLIGAN 22/08/2014	TE Connectivity	
DIMENSIONS: mm		CHK R ULBRYCH		
		TOLERANCES UNLESS OTHERWISE SPECIFIED:		APVD P FITZGERALD
MATERIAL ALL FITTINGS M12, A2 SS		0 PLC ± 1 1 PLC ± 0.1 2 PLC ± 0.01 3 PLC ± 0.001 4 PLC ± 0.0001 ANGLES ± 1 FINISH -		NAME MV SURGE ARRESTER SPA-xx RANGE SPA-XX
CUSTOMER DRAWING		WEIGHT	SIZE A2	CAGE CODE 00779
SCALE 1:1		DRAWING NO C=MV-SPA-00919-C		RESTRICTED TO
SHEET 1 of 1		REV C1		