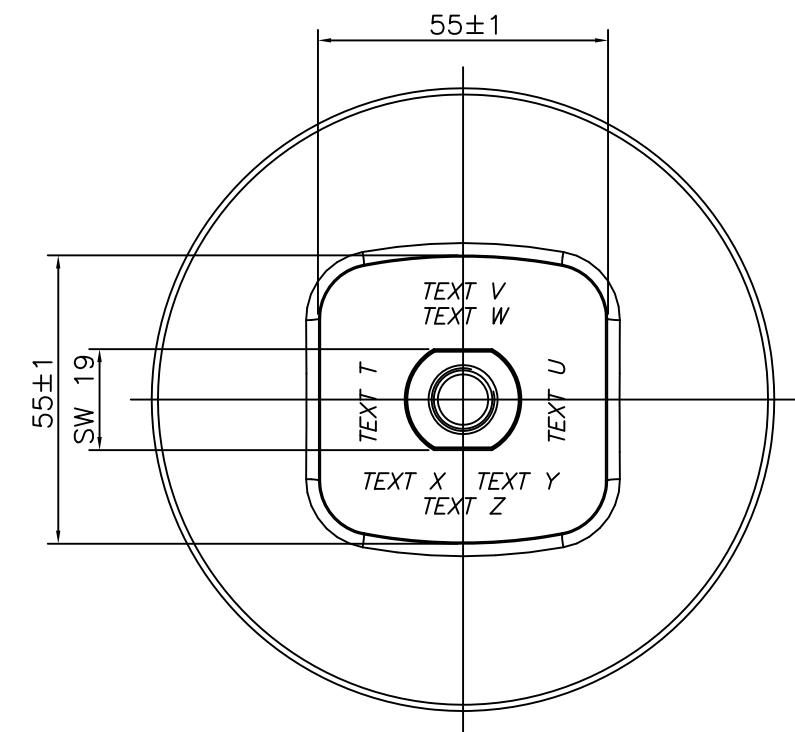
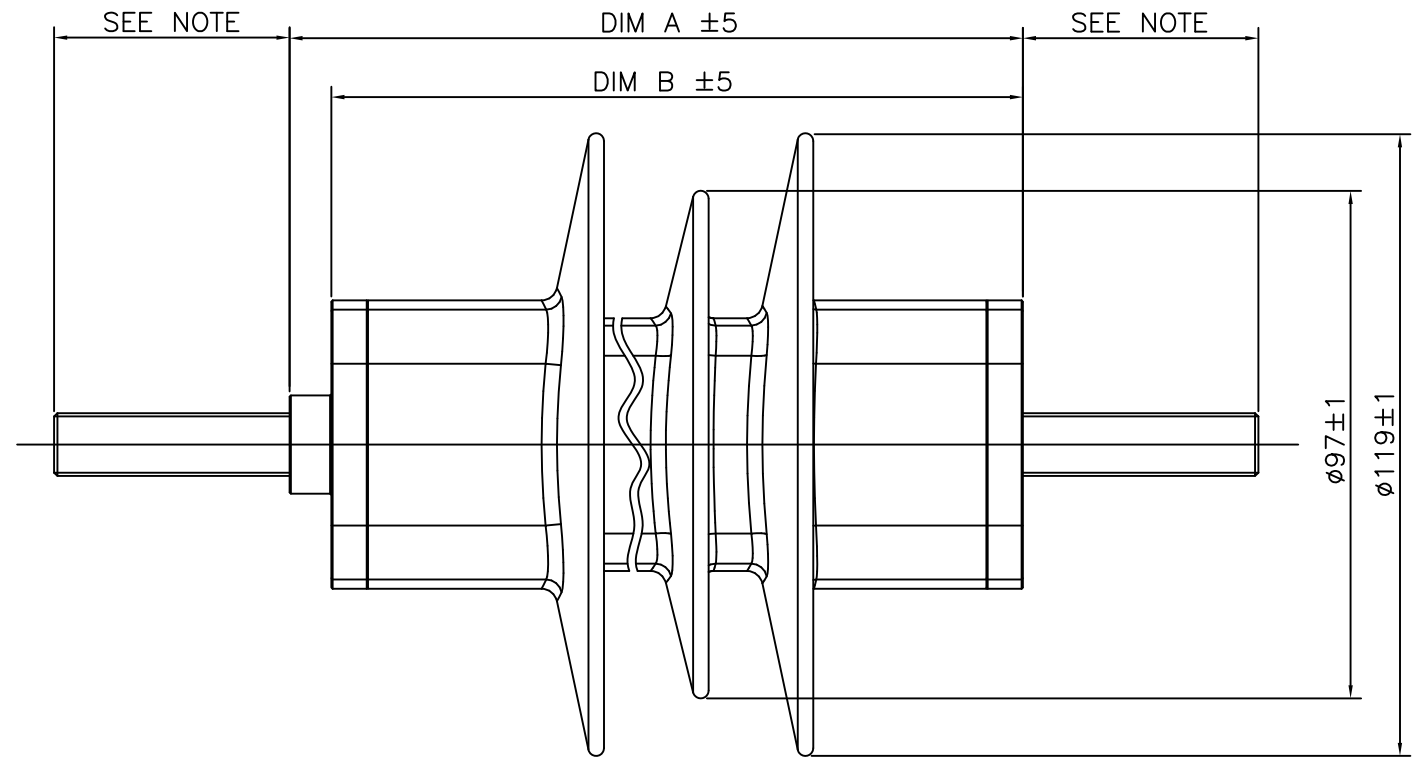


THIS DRAWING IS UNPUBLISHED. RELEASED FOR PUBLICATION  
 © COPYRIGHT - TE CONNECTIVITY IRELAND LTD, ISC, BLOCK 1, UNIVERSITY OF LIMERICK (RTP), CASTLETROY, LIMERICK, IRELAND

LOC	DIST	REVISIONS					
		P	LTR	DESCRIPTION	DATE	DWN	APVD
-	-	A		ORIGINAL ISSUE	08/14	JM	-



PRODUCT	SHEDS	DIM A	DIM B	TEXT T	TEXT U	TEXT V	TEXT W	TEXT X	TEXT Y	TEXT Z
OCP1-03S	5	183	175	Year	LOT No	OCP1-03S	In 10kA, Class 1	Uc 3kV	Ur 3.75kV	Isc 25kA
OCP1-03L	7	220	212	Year	LOT No	OCP1-03L	In 10kA, Class 1	Uc 3kV	Ur 3.75kV	Isc 25kA
OCP1-04S	5	183	175	Year	LOT No	OCP1-04S	In 10kA, Class 1	Uc 4kV	Ur 5kV	Isc 25kA
OCP1-04L	7	220	212	Year	LOT No	OCP1-04L	In 10kA, Class 1	Uc 4kV	Ur 5kV	Isc 25kA
OCP1-05S	5	183	175	Year	LOT No	OCP1-05S	In 10kA, Class 1	Uc 5kV	Ur 6.25kV	Isc 25kA
OCP1-05L	7	220	212	Year	LOT No	OCP1-05L	In 10kA, Class 1	Uc 5kV	Ur 6.25kV	Isc 25kA
OCP1-06S	5	183	175	Year	LOT No	OCP1-06S	In 10kA, Class 1	Uc 6kV	Ur 7.5kV	Isc 25kA
OCP1-06L	7	220	212	Year	LOT No	OCP1-06L	In 10kA, Class 1	Uc 6kV	Ur 7.5kV	Isc 25kA
OCP1-08S	5	183	175	Year	LOT No	OCP1-08S	In 10kA, Class 1	Uc 8kV	Ur 10kV	Isc 25kA
OCP1-08L	7	220	212	Year	LOT No	OCP1-08L	In 10kA, Class 1	Uc 8kV	Ur 10kV	Isc 25kA
OCP1-09S	5	183	175	Year	LOT No	OCP1-09S	In 10kA, Class 1	Uc 9kV	Ur 11.25kV	Isc 25kA
OCP1-09L	7	220	212	Year	LOT No	OCP1-09L	In 10kA, Class 1	Uc 9kV	Ur 11.25kV	Isc 25kA
OCP1-10S	5	183	175	Year	LOT No	OCP1-10S	In 10kA, Class 1	Uc 10kV	Ur 12.5kV	Isc 25kA
OCP1-10L	7	260	212	Year	LOT No	OCP1-10L	In 10kA, Class 1	Uc 10kV	Ur 12.5kV	Isc 25kA
OCP1-12S	5	183	175	Year	LOT No	OCP1-12S	In 10kA, Class 1	Uc 12kV	Ur 15kV	Isc 25kA
OCP1-12L	7	220	212	Year	LOT No	OCP1-12L	In 10kA, Class 1	Uc 12kV	Ur 15kV	Isc 25kA
OCP1-15S	7	220	212	Year	LOT No	OCP1-15S	In 10kA, Class 1	Uc 15kV	Ur 18.75kV	Isc 25kA
OCP1-15L	9	260	252	Year	LOT No	OCP1-15L	In 10kA, Class 1	Uc 15kV	Ur 18.75kV	Isc 25kA
OCP1-18S	9	260	252	Year	LOT No	OCP1-18S	In 10kA, Class 1	Uc 18kV	Ur 22.5kV	Isc 25kA
OCP1-18L	11	299	291	Year	LOT No	OCP1-18L	In 10kA, Class 1	Uc 18kV	Ur 22.5kV	Isc 25kA
OCP1-19S	9	260	252	Year	LOT No	OCP1-19S	In 10kA, Class 1	Uc 19kV	Ur 23.75kV	Isc 25kA
OCP1-19L	11	299	291	Year	LOT No	OCP1-19L	In 10kA, Class 1	Uc 19kV	Ur 23.75kV	Isc 25kA
OCP1-20S	9	260	252	Year	LOT No	OCP1-20S	In 10kA, Class 1	Uc 20kV	Ur 25kV	Isc 25kA
OCP1-20L	11	299	291	Year	LOT No	OCP1-20L	In 10kA, Class 1	Uc 20kV	Ur 25kV	Isc 25kA
OCP1-21S	11	299	291	Year	LOT No	OCP1-21S	In 10kA, Class 1	Uc 21kV	Ur 26.25kV	Isc 25kA
OCP1-21L	13	340	332	Year	LOT No	OCP1-21L	In 10kA, Class 1	Uc 21kV	Ur 26.25kV	Isc 25kA
OCP1-22S	11	299	291	Year	LOT No	OCP1-22S	In 10kA, Class 1	Uc 22kV	Ur 27.5kV	Isc 25kA
OCP1-22L	13	340	332	Year	LOT No	OCP1-22L	In 10kA, Class 1	Uc 22kV	Ur 27.5kV	Isc 25kA
OCP1-24S	11	299	291	Year	LOT No	OCP1-24S	In 10kA, Class 1	Uc 24kV	Ur 30kV	Isc 25kA
OCP1-24L	13	340	332	Year	LOT No	OCP1-24L	In 10kA, Class 1	Uc 24kV	Ur 30kV	Isc 25kA
OCP1-29S	13	340	332	Year	LOT No	OCP1-29S	In 10kA, Class 1	Uc 29kV	Ur 36.35kV	Isc 25kA

No SHEDS	CREEPAGE LENGTH	FLASHOVER DISTANCE
5	380	176
7	505	214
9	632	254
11	758	293
13	885	334

NOTE	
HOUSING PRINT	Bowthorpe MO Arrester IEC 60099-4 50/60 Hz
STD STUD LENGTH 45±2mm. OTHER LENGTHS AVAILABLE DEPENDING ON ACCESSORY SELECTION	

REFER TO TECHNICAL DATASHEETS FOR ALL OTHER PRODUCT DETAILS

THIS DRAWING IS A CONTROLLED DOCUMENT.		DWN J MULLIGAN 08/08/2014	TE Connectivity	
DIMENSIONS: mm		CHK R ULBRYCH		
TOLERANCES UNLESS OTHERWISE SPECIFIED:		APVD	PRODUCT SPEC	MV SURGE ARRESTER OCP1 RANGE OCP1-XXY(STD)
0 PLC ± 1 1 PLC ± 0.1 2 PLC ± 0.01 3 PLC ± 0.001 4 PLC ANGLES ± 0.0001 ± 1		APPLICATION SPEC		SIZE A2
MATERIAL ALL FITTINGS M12, A2 SS		WEIGHT		CAGE CODE
		FINISH		DRAWING NO C-MV-OCP1-00030-C
		CUSTOMER DRAWING		RESTRICTED TO
		SCALE 1:1		SHEET 1 of 1
				REV A