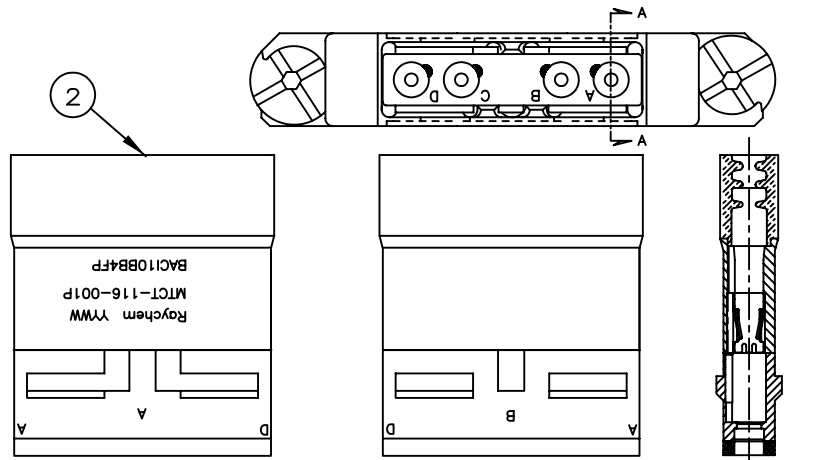


TYCO ELECTRONICS RESERVES THE RIGHT TO AMEND THIS DRAWING AT ANY TIME. USERS SHOULD EVALUATE THE SUITABILITY OF THE PRODUCT FOR THEIR APPLICATION.

REVISIONS

LTR	DESCRIPTION	DATE	APPROVED
A	INITIAL RELEASE PER DCR# C060234	May/4/06	M.HIGGY
B	PER ECO-07-008361	April/10/07	M.HIGGY

- MTCTQ KT 1 P 4F P F
- = WITHOUT GROUND BLOCK
- = PIN INSERT
- = 4 CAVITIES
- = PLUG SHELL
- = 1 INCH
- = KIT
- = FIBER OPTIC CONNECTOR WITH QUICK DISCONNECT HARDWARE



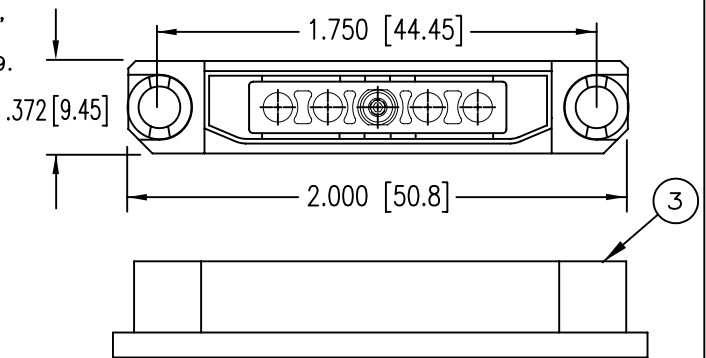
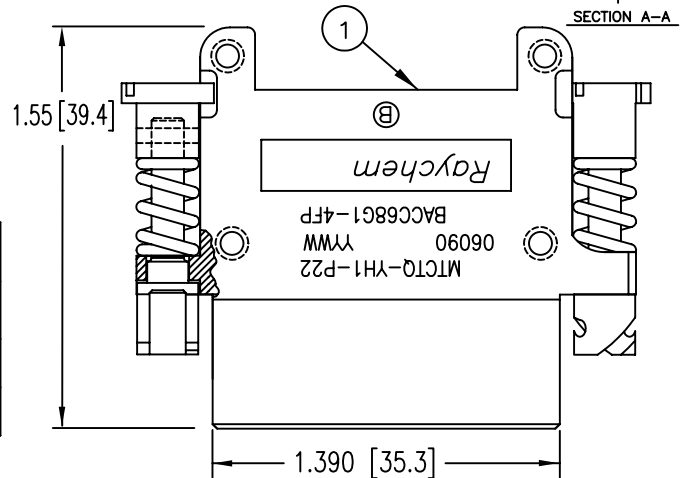
NOTES:

- THIS DRAWING IS FOR THE PURPOSE OF ASSEMBLY AND PACKAGING THIS KIT.
- THE COMPONENTS LISTED HEREON ARE IDENTIFIED WITH THEIR INDIVIDUAL PART NUMBER. THE KIT PACKAGE IS IDENTIFIED BY MARKING RAYCHEM KIT NUMBER AND CUSTOMER NUMBER (BACC68G1-4FP).
- REFER TO THE INDIVIDUAL COMPONENT DRAWING FOR CONFIGURATION DETAILS.
- THIS KIT CONSISTS OF:

ITEM	COMPONENT DRAWING NUMBER	QTY	DESCRIPTION
1	MTCTQ-YH1-P22	1	ASS'Y. HOUSING PLUG WITH QUICK DISCONNECT HARDWARE
2	MTCT-116-001P	1	INSERT ASSEMBLY PIN, 1 INCH
3	D-659-0060	1	DUST CAP

5. OPTIONS NOT INCLUDED IN KIT:

- a: TWO CABLE BRACKETS ARE DESIGNED TO BE USED WITH THIS KIT, THEY ARE NOT SHOWN IN THIS DRAWING, FOR STRAIGHT BRACKET USE CHA-1598, FOR RIGHT/LEFT ANGLE BRACKET USE CHA-1599.
- b: TO REMOVE THE INSERT FROM THE SHELL USE REMOVAL TOOL CTA-0161, 2 PIECES ARE REQUIRED.



If this document is printed it becomes uncontrolled. Check for the latest revision

SPECIFICATION CONTROL DRAWING

© 2006-2007 Tyco Electronics Corporation. All rights reserved.

UNLESS OTHERWISE SPECIFIED DIMENSIONS ARE IN INCHES. METRIC DIMENSIONS ARE IN BRACKETS. DECIMALS .XXX ± 0.005 [0.13 mm] .XX ± 0.01 [0.25 mm] .X ± 0.1 [0.50 mm] ANGLES .X ± 0.5 DEG	DRAWN	ZSOFIA.ORBAN	2MAY2006		Tyco Electronics Corporation 300 Constitution Drive Menlo Park, CA. 94025 U.S.A.		
	CHECKED						
	APPROVED	M.HIGGY	2MAY2006	TITLE			
	REVISED			KIT, PLUG SHELL 1 INCH NICKEL PLATED WITH FIBER OPTICS PIN INSERT, 4 CAVITIES MTCT-SERIES			
CAD NAME: MTCTQKT1P4FPF				SIZE	CODE IDENT. NO.	DWG. NO.	REV:
THIRD ANGLE PROJECTION				A	06090	MTCTQKT1P4FPF	B
DO NOT SCALE THIS DRAWING						SHEET 1 OF 1	