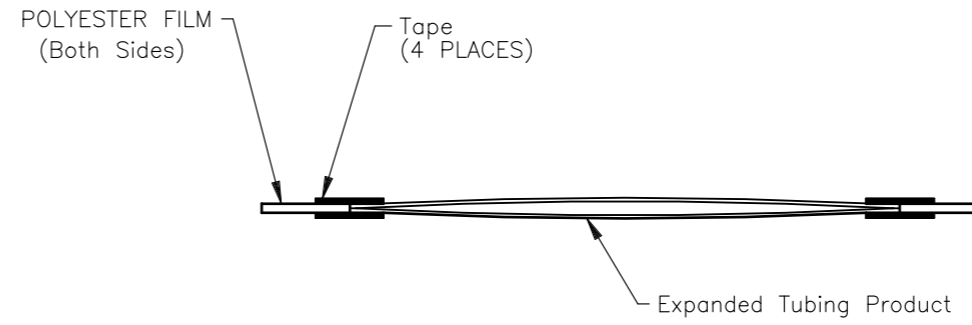
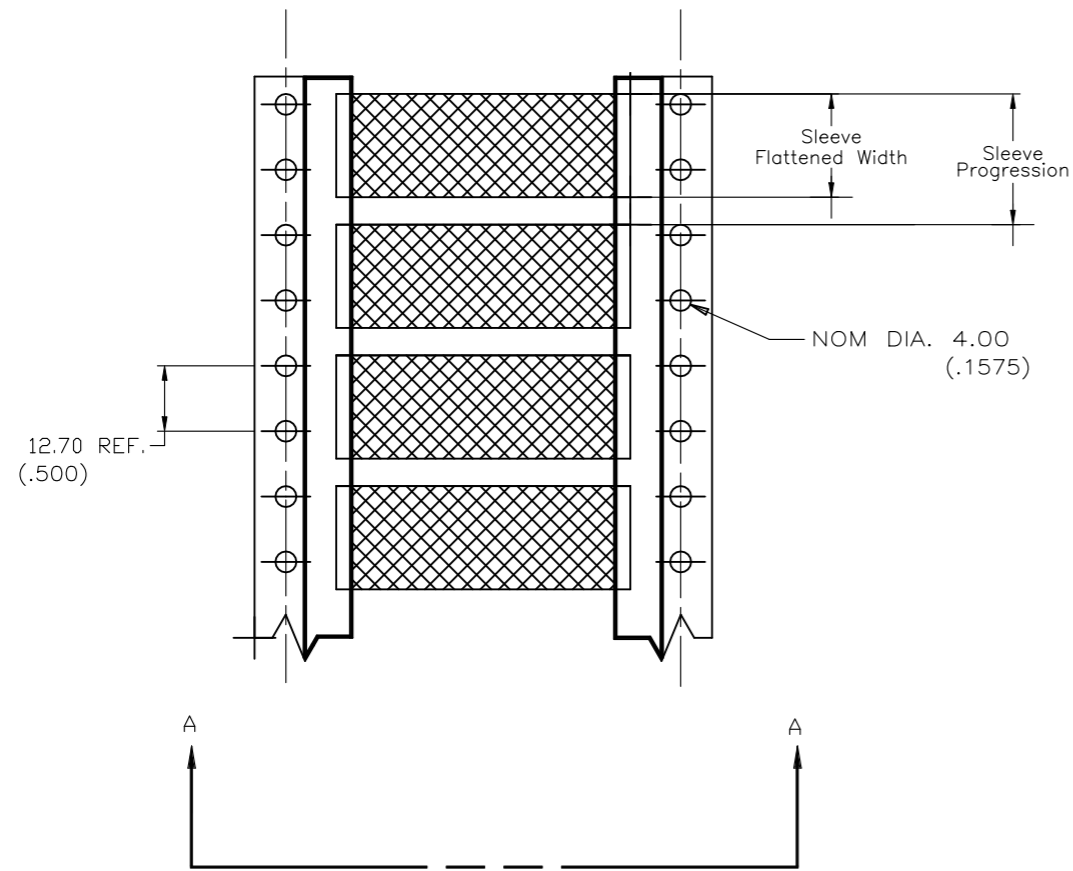


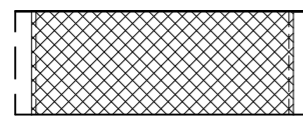
P	LTR	DESCRIPTION	DATE	DWN	APVD
D1		REVISED PER ECR-24-216887	06AUG2024	GH	AK



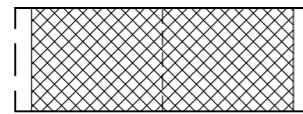
SECTION A - A

Product Size	3/32	1/8	3/16	1/4	3/8	1/2	3/4	1
Nominal Sleeve Flattened Width	4.32 (.170)	5.84 (.230)	8.00 (.315)	10.67 (.420)	15.49 (.610)	20.45 (.805)	30.78 (1.20)	40.39 (1.59)
Nominal Sleeve Progression	12.70 (.500)	12.70 (.500)	12.70 (.500)	16.94 (.667)	25.40 (1.00)	29.64 (1.17)	42.34 (1.67)	50.8 (2.00)
"D" Minimum Supplied I.D.	2.36 (.093)	3.18 (.125)	4.75 (.187)	6.35 (.250)	9.53 (.375)	12.70 (.500)	19.05 (.750)	25.4 (1.00)
"d" Maximum Recovered I.D.	1.17 (.046)	1.57 (.062)	2.36 (.093)	3.18 (.125)	4.75 (.187)	6.35 (.250)	9.53 (.375)	12.7 (.500)
"w" Recovered wall ±0.08 (±.003)	0.51 (.020)	0.51 (.020)	0.51 (.020)	0.64 (.025)	0.64 (.025)	0.64 (.025)	0.76 (.030)	0.89 (.035)

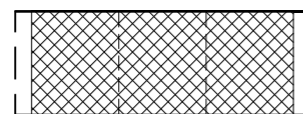
SCORING OPTIONS



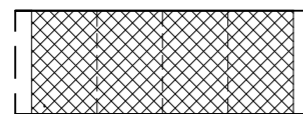
SIDE SCORE



S1

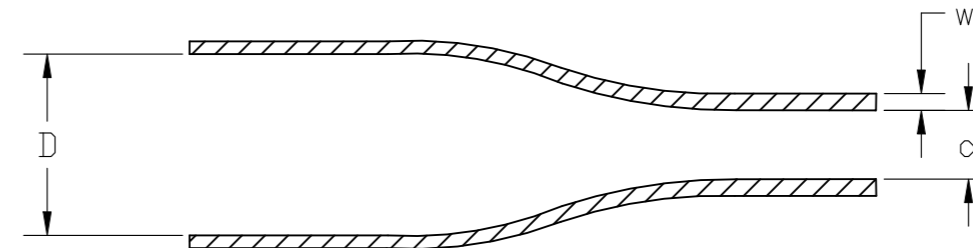



S2



S3

NOTE:
1. SIDE SCORE ALSO AVAILABLE WITH S1, S2, & S3



THIS DRAWING IS A CONTROLLED DOCUMENT.		DWN AFK 08NOV2013	 TE Connectivity	
DIMENSIONS: mm		CHK -		
TOLERANCES UNLESS OTHERWISE SPECIFIED:		APVD -	NAME TMS-SCE-2X	
0 PLC ± -		PRODUCT SPEC -	SIZE	
1 PLC ± -		APPLICATION SPEC -	CAGE CODE	
2 PLC ± -		WEIGHT -	DRAWING NO	
3 PLC ± -		CUSTOMER DRAWING	RESTRICTED TO	
4 PLC ± -			A3 06090 C-MCD160008	
ANGLES ± -		SCALE 1:1		SHEET 1 OF 1
FINISH -		REV D1		