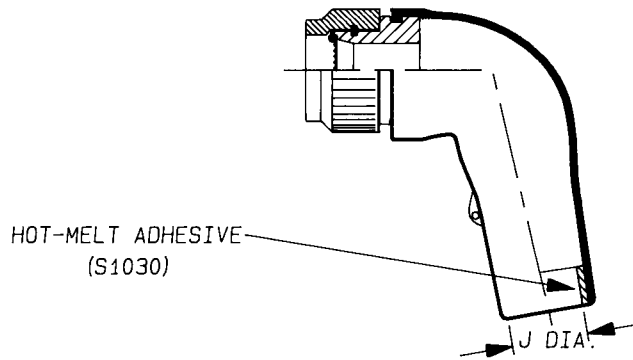
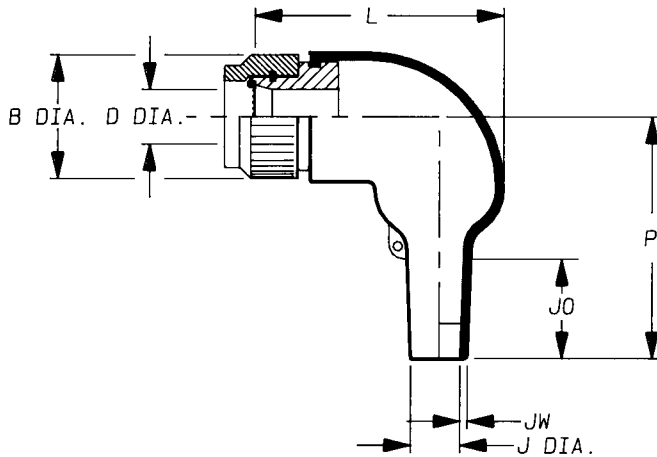


a) Part as supplied.

KTKK 1960-1968



b) Part after unrestricted recovery.



Raychem connector code: - 40

Connector series: - MIL-C-38999 SERIES 3&4

Adaptor Series: - 208M7\*\*-19-B\*\*-K-NS

Moulded Part Material: - -100

Kits to include cleaning tissue E7110-1004, 1 piece 100 grit emery cloth & packing piece.

Kit to be used in conjunction with installation guide for 90 & 45 deg. assemblies.

Dimensions (in millimetres.)

Part No.	SHELL SIZE	B	D	J		L	P	JO	JW
		DIA MAX	DIA MIN	MIN a	MAX b	±10% b	±10% b	REF b	±30% b
KTKK 1960	A	19.2	6.2	8	5.6	37	25	9	0.5
KTKK 1961	B	21.7	9.3	11	5.9	39	32	9	0.8
KTKK 1962	C	25.5	12.9	15	7.1	43	39	15	1.0
KTKK 1963	D	29.3	14.1	15	7.1	43	39	15	1.0
KTKK 1964	E	31.9	18.8	21	8.4	50	46	15	1.0
KTKK 1965	F	35.7	18.8	21	8.4	50	46	15	1.0
KTKK 1966	G	38.2	23.6	25	9.9	57	55	17	1.0
KTKK 1967	H	42.0	23.6	25	9.9	57	55	17	1.0
KTKK 1968	J	44.6	30.9	31	15.7	66	80	32	1.5

Copyright (!)  
Urheberrechte

The copyright in this drawing is the property of Raychem Ltd. The drawing is issued on condition that it is not copied, reproduced or disclosed to a third party, either in whole or in part without the prior written consent of Raychem Ltd.

Drawn A.LILLEY. Checked *dl* Issue 3 Date June 1995

Conforms to ISO Recommendations  
3rd Angle Projection  
Not to Scale

Approval  
Design

*AKS*

MKTG.  
*dl*

G.C.  
*M*

