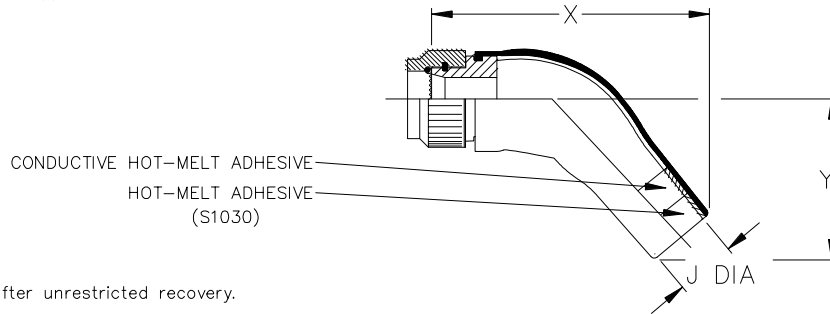


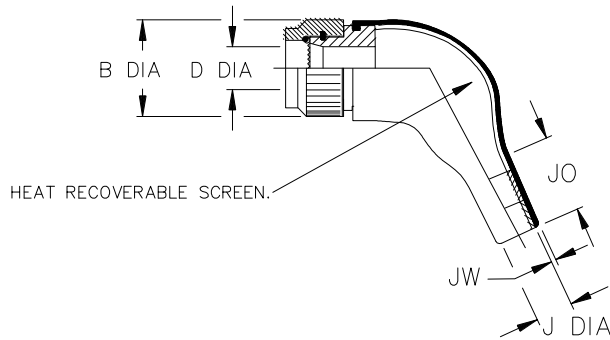
REVISIONS

P	LTR	DESCRIPTION	DATE	DWN	APVD
	6	RELEASED AS PER ECO-17-009529	03JUL2017	PV	MP

a) Part as supplied.



b) Part after unrestricted recovery.



NOTES:


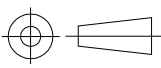
Raychem Connector Code: 79
 Connector Series: (PATT 608)
 Adaptor Series: 229M1**-01-W**-K-NS
 Nickel Aluminium Bronze to BS2874 CA104 or ASTM C 63200 or ASTM B150
 Unplated, Shotblast - Glass Bead
 Moulded Part Material: -100C (Black); Polyolefin/Silver Composites, Semi-flexible
 ZEROHAL™ Low fire hazard

Kits to include cleaning tissue, 1 piece 100 grit emery cloth & packing piece.
 Kit to be used in conjunction with installation guide for 90 & 45 deg. assemblies.

Dimensions in mm [inches for reference]

Part No.	Shell Size	B DIA MAX	D DIA MIN	J		JO REF b	JW ±30% b	X ±20% a	Y ±20% a
				MIN a	MAX b				
KTKK0580	8	19.4 [.76]	6.3 [.25]	7.0 [.28]	5.0 [.20]	15.0 [.59]	1.0 [.04]	55.0 [2.17]	23.0 [.91]
KTKK0581	10	21.4 [.85]	9.4 [.37]	9.0 [.35]	6.0 [.24]	17.0 [.67]	1.0 [.04]	62.0 [2.44]	29.0 [1.14]
KTKK0582	12	24.4 [.96]	14.0 [.55]	11.0 [.43]	7.2 [.28]	18.0 [.71]	1.0 [.04]	68.0 [2.68]	29.0 [1.14]
KTKK0583	14	29.3 [1.15]	14.2 [.56]	11.0 [.43]	7.2 [.28]	18.0 [.71]	1.0 [.04]	68.0 [2.68]	29.0 [1.14]
KTKK0584	16	30.9 [1.22]	18.9 [.74]	17.0 [.67]	8.5 [.33]	20.0 [.79]	1.0 [.04]	78.0 [3.07]	36.0 [1.42]
KTKK0585	18	33.9 [1.33]	18.9 [.74]	17.0 [.67]	8.5 [.33]	20.0 [.79]	1.0 [.04]	78.0 [3.07]	36.0 [1.42]
KTKK0586	20	38.6 [1.52]	23.7 [.93]	21.0 [.83]	10.0 [.39]	28.0 [1.10]	1.5 [.06]	95.0 [3.74]	45.0 [1.77]
KTKK0587	22	38.6 [1.52]	23.7 [.93]	21.0 [.83]	10.0 [.39]	28.0 [1.10]	1.5 [.06]	95.0 [3.74]	45.0 [1.77]
KTKK0588	24	42.6 [1.68]	31.7 [1.25]	29.0 [1.14]	15.8 [.62]	31.0 [1.22]	1.5 [.06]	116.0 [4.57]	59.0 [2.32]
KTKK0589	22	38.6 [1.52]	29.0 [1.14]	29.0 [1.14]	15.8 [.62]	31.0 [1.22]	1.5 [.06]	116.0 [4.57]	58.0 [2.28]

THIS DRAWING IS UNPUBLISHED. ALL RIGHTS RESERVED. © COPYRIGHT 2016 By TE Connectivity

DIMENSIONS: mm [INCHES]	DWN P. VU	100CT2016	MATERIAL	SEE NOTES	FINISH	SEE NOTES	
	CHK N. NAGAR	100CT2016	 TE Connectivity				
TOLERANCES UNLESS OTHERWISE SPECIFIED:	APVD M. POPE	100CT2016					
0 PLC ± -	PRODUCT SPEC	NAME				ADAPTOR ASSEMBLY	
1 PLC ± -	—	—				—	
2 PLC ± -	APPLICATION SPEC	—				—	
3 PLC ± -	—	SIZE	CAGE CODE	DRAWING NO	RESTRICTED TO		
4 PLC ± -	—	A4	00779	Ⓒ KTKK0580-0589	—		
ANGLES ± -	WEIGHT	CUSTOMER DRAWING				SCALE	DNS
	—	SCALE				SHEET	1 OF 1
						REV	6