



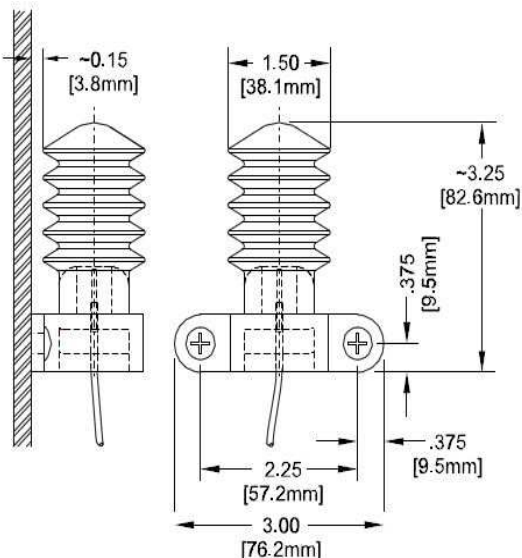
**PN 810 - SUPERDRY VENT FILTER**



**PN 811 - STAINLESS STEEL VENT FILTER**



**PN 815 - ANEROID BELLOWS**



## MOISTURE PROTECTION FOR KPSI TRANSDUCERS

### VENTED GAGE TRANSDUCER MOISTURE PROTECTION OPTIONS

#### VENT FILTERS

Vent Filters contain desiccant to prevent moisture from entering the vent tube and damaging transducers with vented gage reference pressure format. Measurement Specialties offers two types of vent filters:

The KPSI 810 SuperDry Vent Filter utilizes an indicating desiccant to provide the cable vent tube with moisture protection. The desiccant will turn from blue to pink when exposed to moisture indicating the need for maintenance. All vented gage transducers are shipped with our SuperDry Vent Filter. This vent filter prevents moisture from entering the vent tube for at least one year without maintenance, at no additional cost. These vent filters are 6.0 inches (15.3 cm) long with a 0.75 inch (1.9 cm) diameter.

The KPSI 811 Stainless Steel Vent Filter is a maintenance free version of the SuperDry Vent Filter above. Housed in a 316 stainless steel body containing desiccant to provide vent tube moisture protection for a minimum of five years without maintenance. A Gore-Tex filter plug provides the vent filter with atmospheric pressure reference. These vent filters are 2.75 inches (7.0 cm) long with a 0.75 inch (1.9 cm) diameter.

#### ANEROID BELLOWS

The KPSI 815 Aneroid Bellows is a maintenance-free alternative to desiccant filters for vented gage transducer moisture protection. Made of flexible neoprene material attached to a polycarbonate mounting bracket, the bellows fluctuates with changes in atmospheric pressure maintaining a constant barometric reference. Note that the use of the bellow results in a closed reference pressure system subject to zero shift errors induced by changing temperatures of up to 0.003 psi/°C. The bellows is not recommended for use with accuracy requirements of  $\pm 0.25\%$  FS or better, nor for ranges  $< 2$  psi.

**MOISTURE PROTECTION SPECIFICATIONS**

<b>KPSI 810 SUPERDRY VENT FILTER</b>	
Product Life	One year
Dimensions	6.0 in. (15.3 cm) long x 0.75 in. (1.9 cm) diameter
Housing Material	Polyethylene tube with polypropylene fittings
Breather Tubing	13 inches (33.0 cm)
<b>KPSI 811 STAINLESS STEEL VENT FILTER</b>	
Product Life	Five years
Dimensions	2.75 in. (7.0 cm) long x 0.75 in. (1.9 cm) diameter
Housing Material	316 stainless steel
Breather Tubing	12 inches (30.5 cm)
<b>KPSI 815 ANEROID BELLOWS</b>	
Product Life	Five years
Dimensions	3.0 in. (7.6 cm) bracket x 3.25 in. (8.3 cm) length
Housing Material	Neoprene bellows attached to polycarbonate bracket
Breather Tubing	12 inches (30.5 cm)

**SEALED PRESSURE REFERENCE KPSI TRANSDUCERS**

Where appropriate, consider a non-vented, sealed pressure reference format. This eliminates the need for venting accessories, such as, vent filters and aneroid bellows. The output of the transducer should be adjusted to compensate for any altitude difference. A separate barometric pressure transducer may be needed to compensate readings for ambient atmospheric pressure conditions.

**NORTH AMERICA**

Measurement Specialties,  
a TE Connectivity Company  
1000 Lucas Way  
Hampton, VA 23666  
Tel: 1-800-745-8008  
Fax: 1-510-498-1578  
Sales: WL.Sales@te.com

**EUROPE**

Measurement Specialties (Europe), Ltd.,  
a TE Connectivity Company  
26 Rue des Dames  
78340 Les Clayes-sous-Bois, France  
Tel: +33 (0) 130 79 33 00  
Fax: +33 (0) 134 81 03 59  
Sales: customercare.lcsb@te.com

**ASIA**

Measurement Specialties (China), Ltd.,  
a TE Connectivity Company  
No. 26 Langshan Road  
Shenzhen High-Tech Park (North)  
Nanshan District, Shenzhen 518057  
China  
Tel: +86 755 3330 5088  
Fax: +86 755 3330 5099  
Sales: customercare.shzn@te.com

**te.com/sensorsolutions**

Measurement Specialties, Inc., a TE Connectivity company.

Measurement Specialties (MEAS), American Sensor Technologies (AST), TE Connectivity, TE Connectivity (logo) and EVERY CONNECTION COUNTS are trademarks. All other logos, products and/or company names referred to herein might be trademarks of their respective owners.

The information given herein, including drawings, illustrations and schematics which are intended for illustration purposes only, is believed to be reliable. However, TE Connectivity makes no warranties as to its accuracy or completeness and disclaims any liability in connection with its use. TE Connectivity's obligations shall only be as set forth in TE Connectivity's Standard Terms and Conditions of Sale for this product and in no case will TE Connectivity be liable for any incidental, indirect or consequential damages arising out of the sale, resale, use or misuse of the product. Users of TE Connectivity products should make their own evaluation to determine the suitability of each such product for the specific application.

© 2016 TE Connectivity Ltd. family of companies All Rights Reserved.

