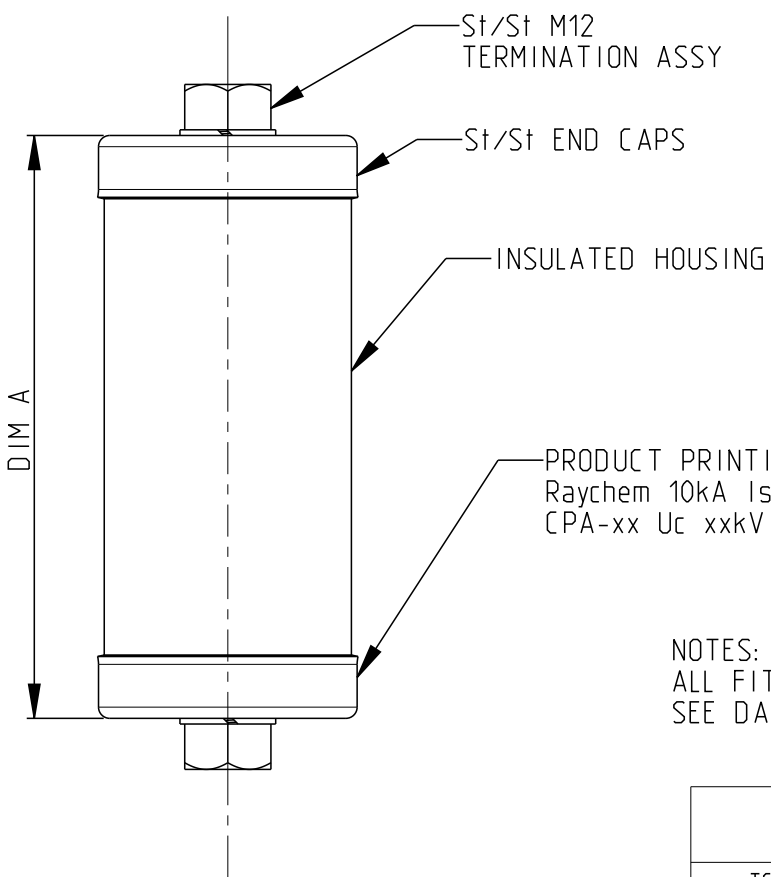
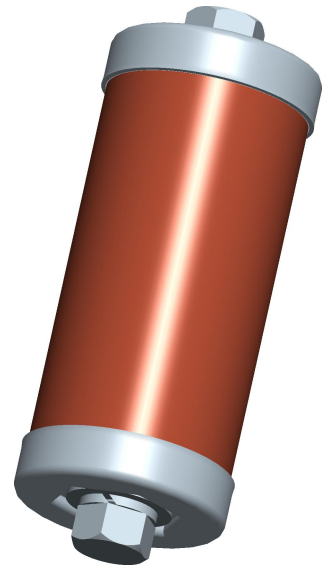
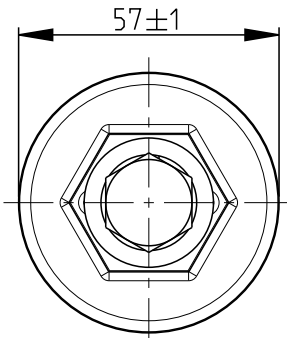


LOC	DIST	REVISIONS				
P	LTR	DESCRIPTION	DATE	DWN	APVD	
0		ORIGINAL ISSUE	08/13	R.S	C.S	
A		REVISED PER ECO-14-010093	03JUL2014	R.S	J.M	



NOTES:  
ALL FITTINGS M12  
SEE DATA-SHEET FOR ELECTRICAL PARAMETERS.

FINISHED GOOD					
TCPN	DESC	DIM A	+/-	Uc (kV)	Uy (kV)
D02485-000	CPA-01-017	85.5	2	1	1.25
658565-000	CPA-03-017	107.5	2	3	3.75
A23137-000	CPA-05	126.5	2	5	6.25
773049-000	CPA-06-017	137.5	2	6	7.5

20  
 RELEASED FOR PUBLICATION  
 ALL RIGHTS RESERVED.  
 BY -  
 THIS DRAWING IS UNPUBLISHED.  
 © COPYRIGHT 20

DIMENSIONS: mm	DWN RAVI.S 30/08/13	MATERIAL	FINISH		
TOLERANCES UNLESS OTHERWISE SPECIFIED:	CHK C.SUTTON 30/08/13	TE Connectivity			
0 PLC ±1 1 PLC ±0.1 2 PLC ±0.01 3 PLC ±0.001 4 PLC ±0.0001 ANGLES ±	APVD C.SUTTON 30/08/13				
	PRODUCT SPEC	NAME HV CABLE SHEATH ARRESTER CPA-XX			
	APPLICATION SPEC	SIZE A 4	CAGE CODE -	DRAWING NO C=HV-CPA-00907-C	RESTRICTED TO -
	WEIGHT -	Customer Drawing			SCALE 3:5
		SHEET 1 OF 1		REV A	