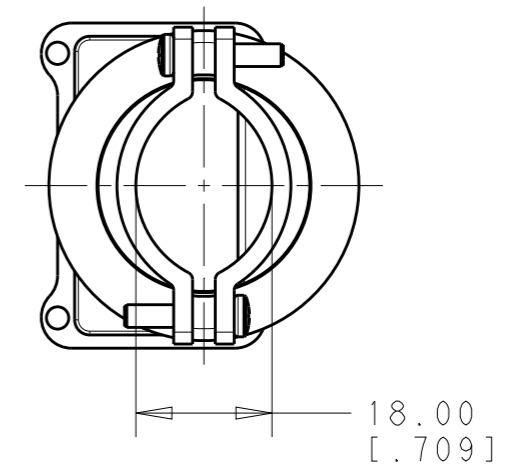
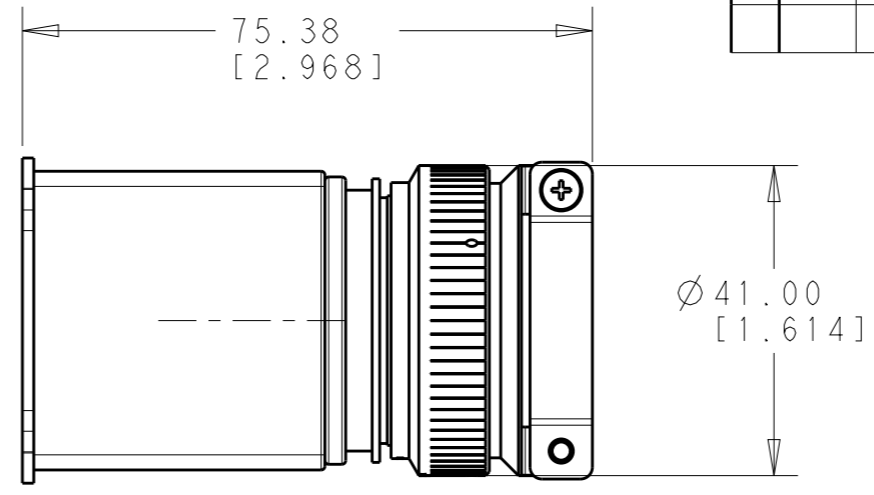
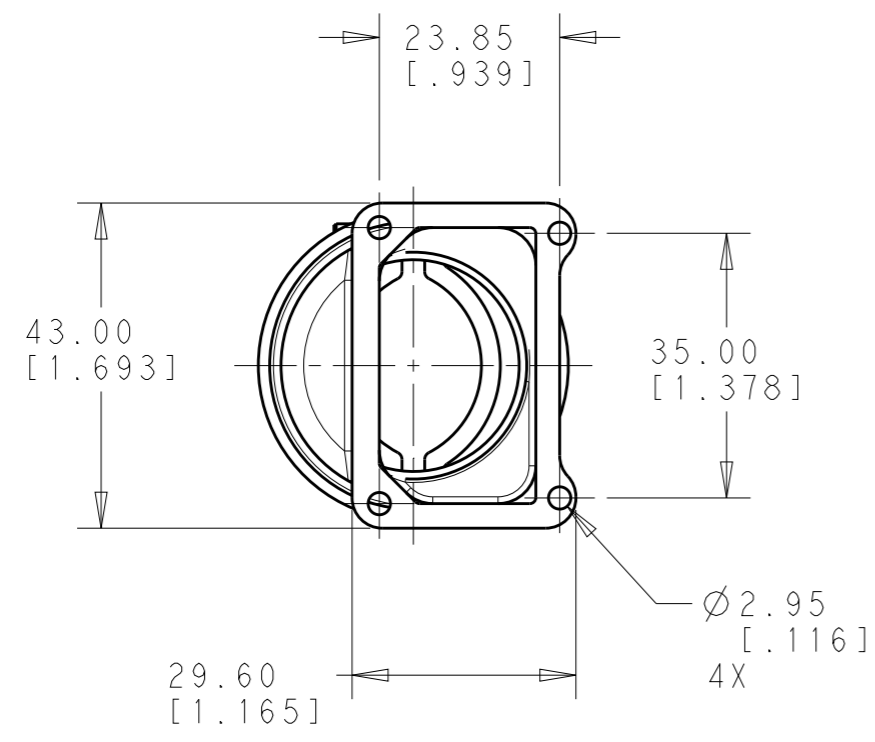
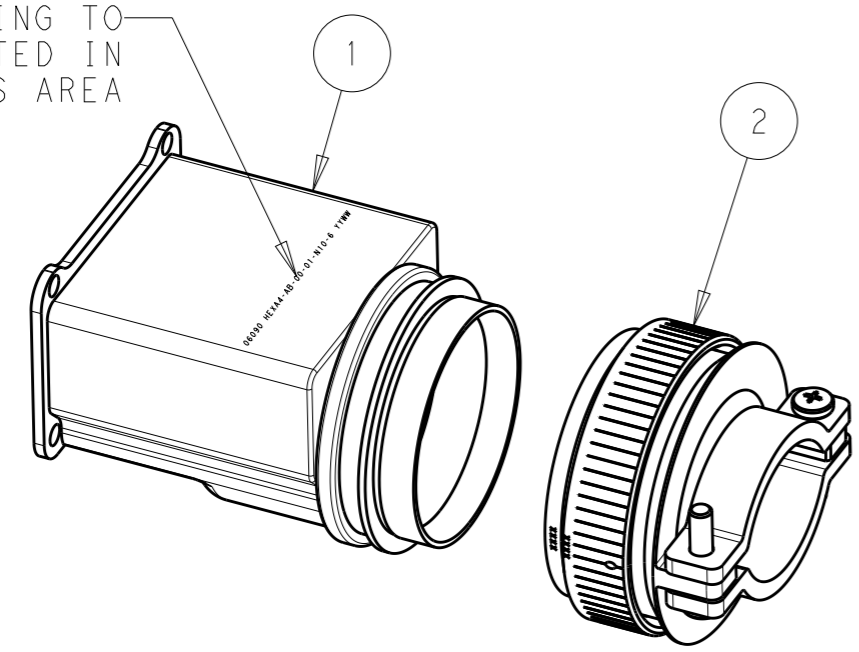


THIS DRAWING IS UNPUBLISHED. RELEASED FOR PUBLICATION 20
 © COPYRIGHT 20 BY - ALL RIGHTS RESERVED.

REVISIONS					
P	LTR	DESCRIPTION	DATE	DWN	APVD
1		DRAWN	27JUL2017	EH	IM
2		REV PART MARKING	11AUG2017	EH	IM



PART MARKING TO BE LOCATED IN THIS AREA



DESIGN APPROVED THIS PRINT IS
PRELIMINARY
 TO FIRST PIECE APPROVAL
 CONTACT PRODUCT ENGINEERING
 BEFORE USING THIS PRINT

QTY	MATERIAL	DESCRIPTION	ITEM NO
1	ALUMINUM	CABLE CLAMP ASSEMBLY	2
1	ALUMINUM	BODY ASSEMBLY	1

THIS DRAWING IS A CONTROLLED DOCUMENT.

DIMENSIONS:	TOLERANCES UNLESS OTHERWISE SPECIFIED:
mm [INCH]	
0 PLC	±0.1
1 PLC	±0.5 [.020]
2 PLC	±0.25 [.010]
3 PLC	±0.05 [.002]
4 PLC	±-
ANGLES	±2

DWN	E HALEY	27JUL2017
CHK	I MYONG	10AUG2017
APVD	I MYONG	10AUG2017
PRODUCT SPEC	-	-
APPLICATION SPEC	-	-
WEIGHT	-	-

STE TE Connectivity

NAME: HEXASHIELD ADAPTER WITH CABLE CLAMP (ARINC 404)

SIZE	CAGE CODE	DRAWING NO	RESTRICTED TO
A3	06090	HEXA4-A+-00-01-N10	+ -

CAD FILENAME: HEXA4-AY-00-1-N10-Y_C

MATERIAL: SEE TABLE
 FINISH: finish_spec_2

CUSTOMER DRAWING SCALE: 1:1 SHEET: 1 OF 2 REV: 2

THIS DRAWING IS UNPUBLISHED.

RELEASED FOR PUBLICATION

20

© COPYRIGHT 20 BY -

ALL RIGHTS RESERVED.

REVISIONS

P	LTR	DESCRIPTION	DATE	DWN	APVD
-		SEE SHEET 1	-	-	-

PART NUMBERING

HEXA4 - A + - 00 - 01 - N10 - +


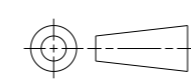
- CONNECTOR CODE
HEXA4 = ARINC 404 CONNECTOR
- MATERIAL CODE
A = ALUMINUM
- PLATING CODE
REF S-CH00-0157-002
- OUTLET STYLE
00 = STRAIGHT
- ORDER NUMBER
01 = SIZE 1
- ENTRY SIZE-(N10)
- 6 = NO CONIC RING OR STAR

APPLICATONS

THESE ADAPTERS ARE DESIGNED TO BE MOUNTED ON THE FOLLOWING CONNECTORS:
ARINC 404 (SAE-AS81659) SINGLE INSERT.

PACKAGING & MARKING

ALL COMPONENTS ARE SUPPLIED IN A PLASTIC BAG AND ASSEMBLY IS TO BE PERMANENTLY MARKED WITH CAGE CODE, PART NUMBER AND DATE CODE.
(E.G. : 06090 HEXA4-AB-00-01-N10-6 YYWW).

THIS DRAWING IS A CONTROLLED DOCUMENT.		DWN E HALEY 27JUL2017	 TE Connectivity			
DIMENSIONS: mm[INCH]		CHK I MYONG 10AUG2017				
		APVD I MYONG 10AUG2017	NAME HEXASHIELD ADPATER WITH CABLE CLAMP (ARINC 404)			
		TOLERANCES UNLESS OTHERWISE SPECIFIED:		RESTRICTED TO		
MATERIAL		PRODUCT SPEC	SIZE	CAGE CODE	DRAWING NO	REV
-		APPLICATION SPEC	A3	06090	HEXA4-A+-00-01-N10	+
FINISH		WEIGHT	SCALE		SHEET	OF
-		-	1:1		2	2
finish_spec_2		CUSTOMER DRAWING	REV		2	2