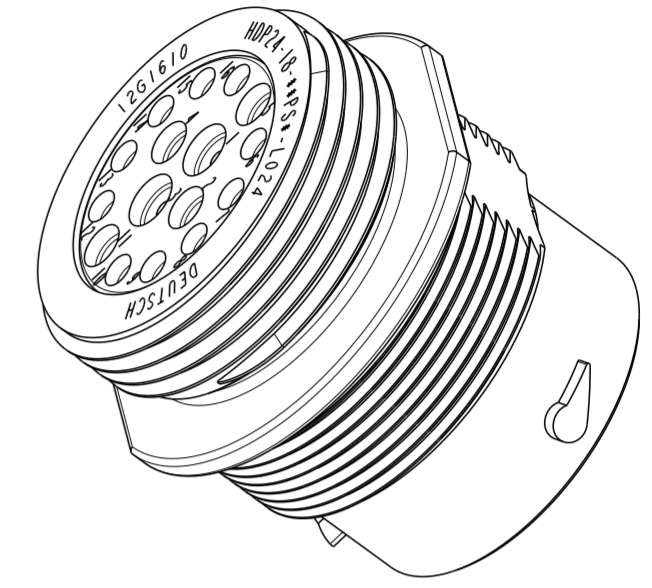
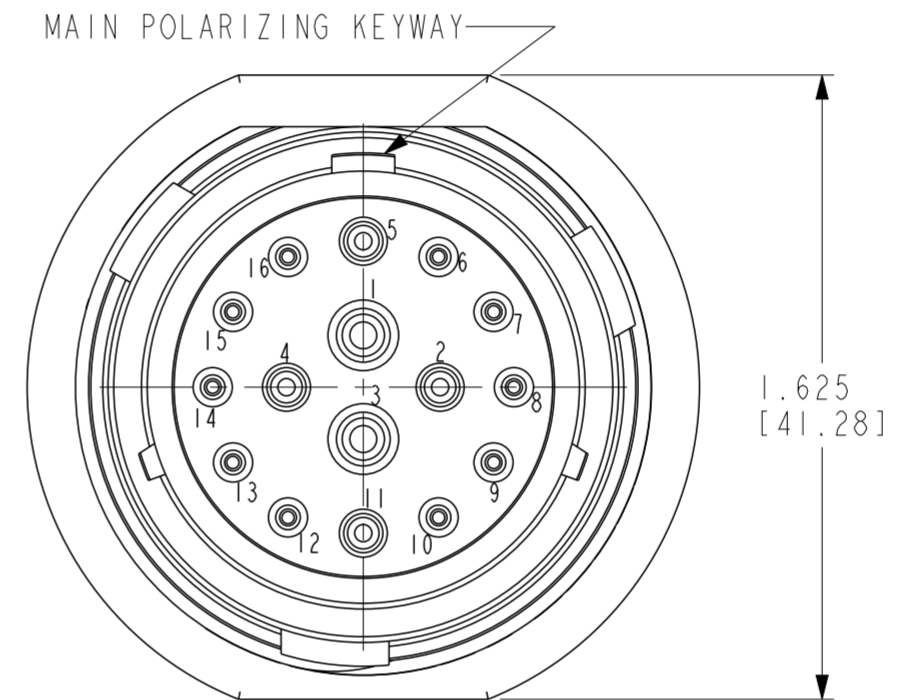
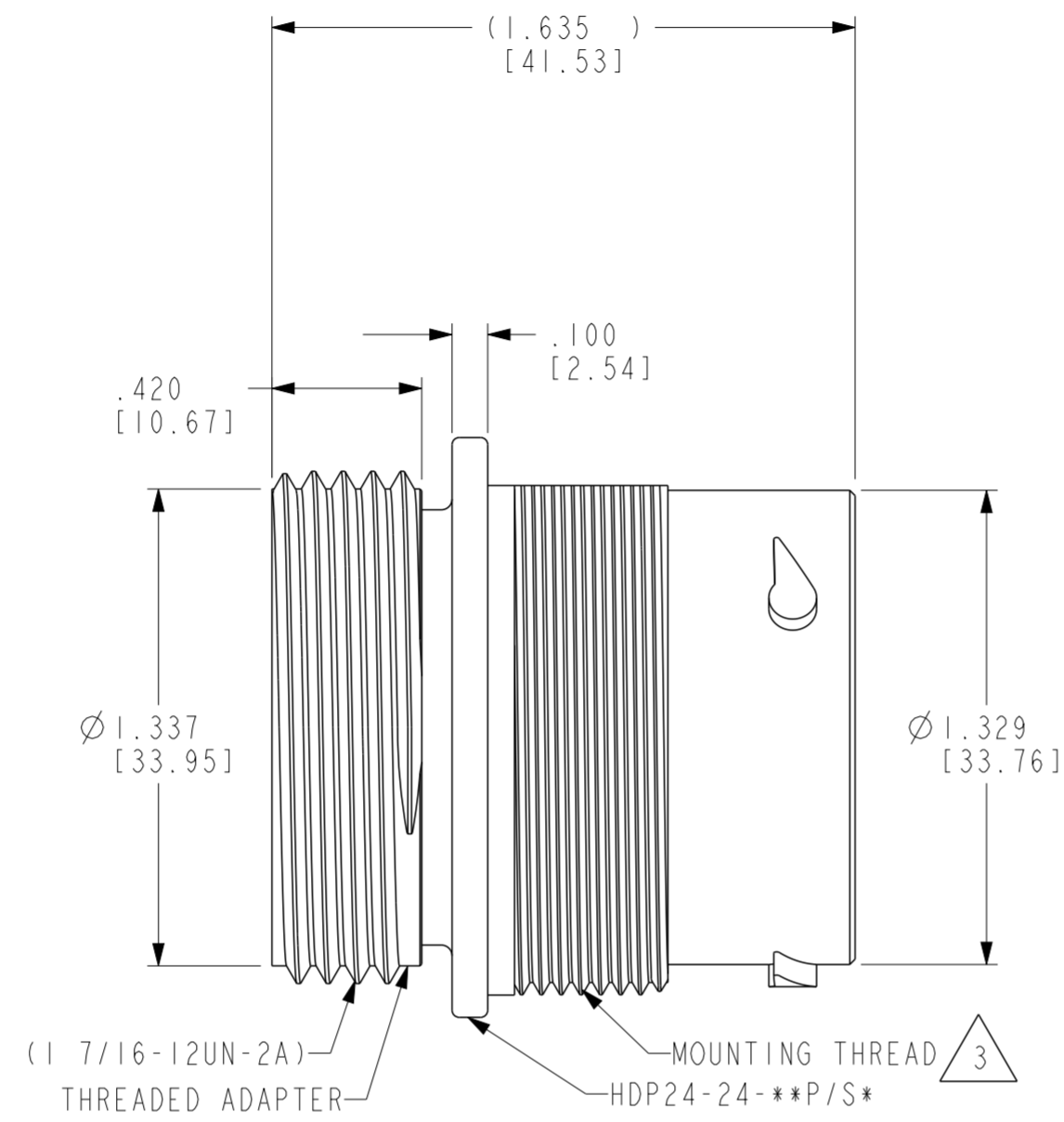
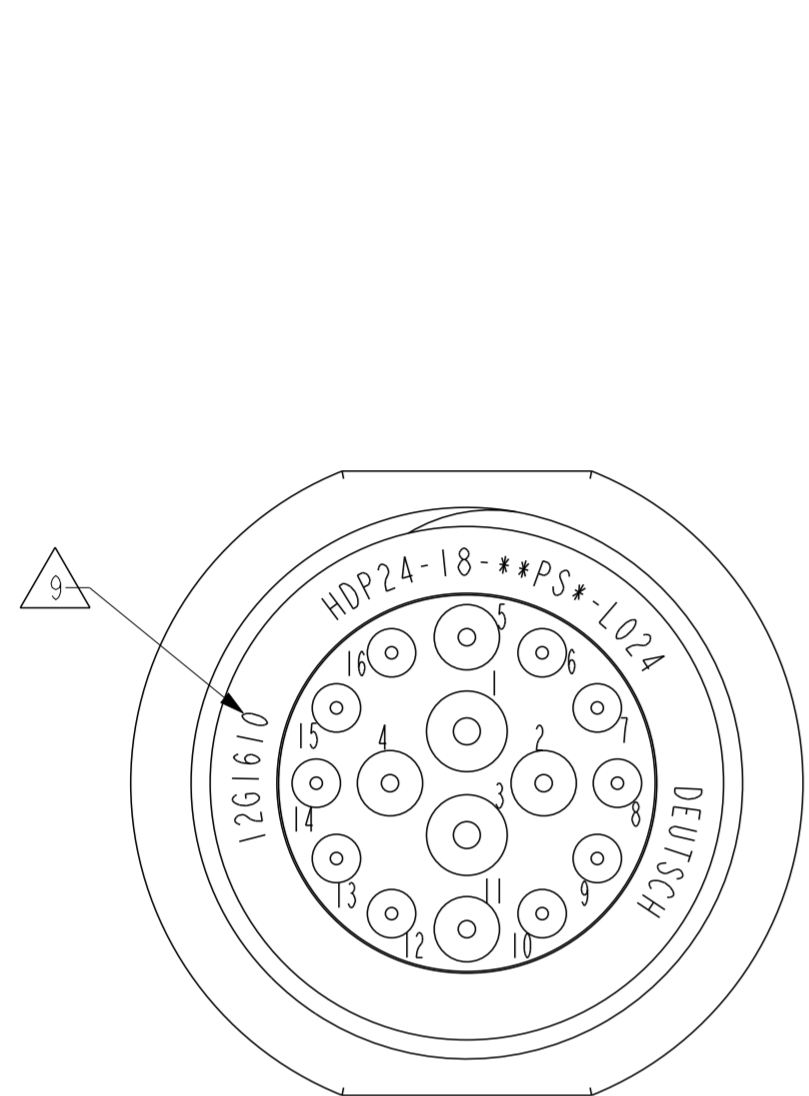
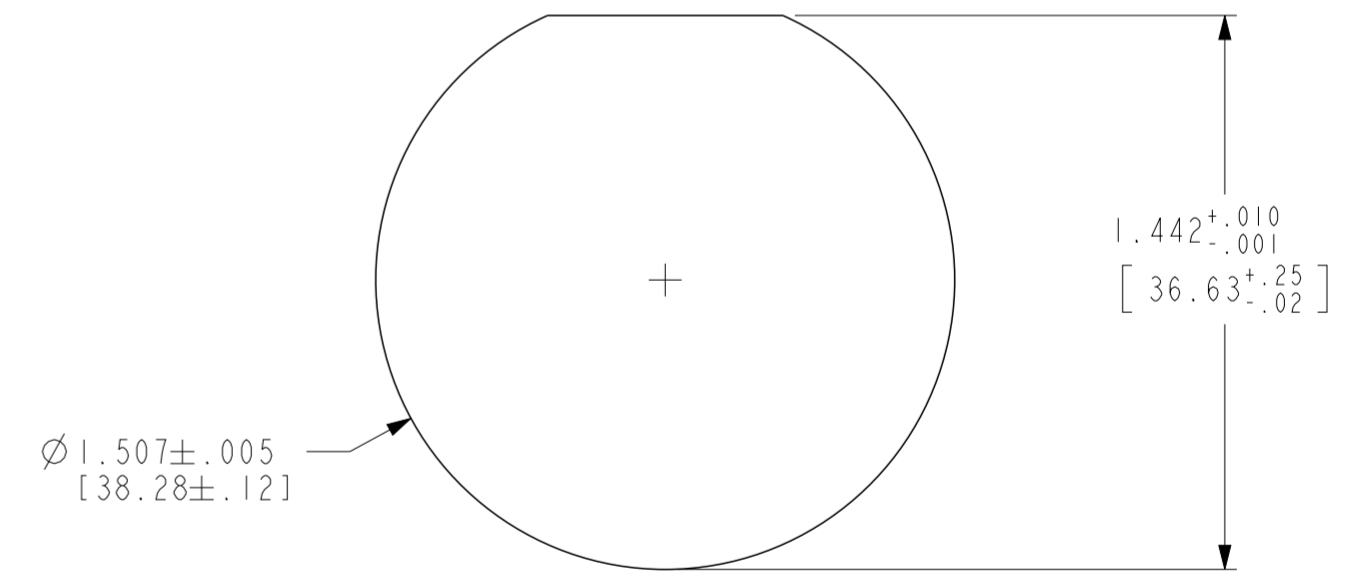


P	LTR	DESCRIPTION	DATE	DWN	APVD
	NC	NEW RELEASE PER E.O. P21416	24AUG2012	IG	DM
	A	REVISED PER PCN E-19-015142	10OCT2019	EC	RM
	B	REVISED PER PCN-24-219306	29AUG2024	CO	CB



3D VIEW



RECOMMENDED PANEL MOUNTING HOLE

7. THIS RECEPTACLE TO BE USED WITH 2414-002-1886 LOCK WASHER AND 2411-002-1805 PANEL NUT.

6. THIS RECEPTACLE MATES WITH HDP26-18-***P/S*-**** (****=ALL MODIFICATIONS)

5. RECOMMENDED PANEL THICKNESS: .062(1.57) TO .1875(4.76) MAX.

4. SILICONE GROMMET COLOR REFLECTS WIRE SEAL DIAMETER. (GREEN='N' SEAL; GREY='T' SEAL; BLUE='E' SEAL)

3. FOR PERFORMANCE, MOUNTING AND APPLICATION CHARACTERISTICS SEE ENVELOPE DRAWING 0425-021-0000.

2. FOR CONTACTS AND WIRE PERFORMANCE AND APPLICATION CHARACTERISTICS SEE ENVELOPE DWG. 0425-015-0000.

1. FOR CONTACT ARRANGEMENTS, SEE ENVELOPE DRAWING 0425-013-1800.

9. DATE CODE: IDENTIFIES THE YEAR, MONTH, DAY AND HOUR OF ASSEMBLY.
 YEAR: FIRST AND SECOND DIGITS. (14 = 2014)
 MONTH: THIRD DIGIT, EXCLUDING 1. A = JAN., B = FEB., C = MARCH... (K = OCT.)
 DAY: FOURTH AND FIFTH DIGITS (14 = 14th DAY)
 HOUR: SIXTH AND SEVENTH DIGITS (11 = 11AM)

8. MATERIAL: SHELL - PA66 I5GF, SEAL - MQ

THIS DRAWING IS A CONTROLLED DOCUMENT.		DWN 18 JUL 2012 I GRANTCHAROVA	TE Connectivity	
DIMENSIONS: IN [MM]		CHK 23 AUG 2012 I GRANTCHAROVA		
TOLERANCES UNLESS OTHERWISE SPECIFIED:		APVD 24 AUG 2012 D MEYER	NAME PLASTIC RECEPTACLE CONNECTOR BAYONET COUPLING HDP SERIES, SIZE 18, -L024 MOD	
0 PLC ±	1 PLC ±	PRODUCT SPEC 108-151015	SIZE A2	CAGE CODE 00779
2 PLC ±0.025 [0.64]	3 PLC ±	APPLICATION SPEC 114-151015	DRAWING NO. C-HDP24-18-XXP/SX-L024	RESTRICTED TO
4 PLC ±	ANGLES ±0°30'	WEIGHT -	SCALE 2:1	SHEET 1 OF 1
MATERIAL 8	FINISH -	CUSTOMER DRAWING	REV B	