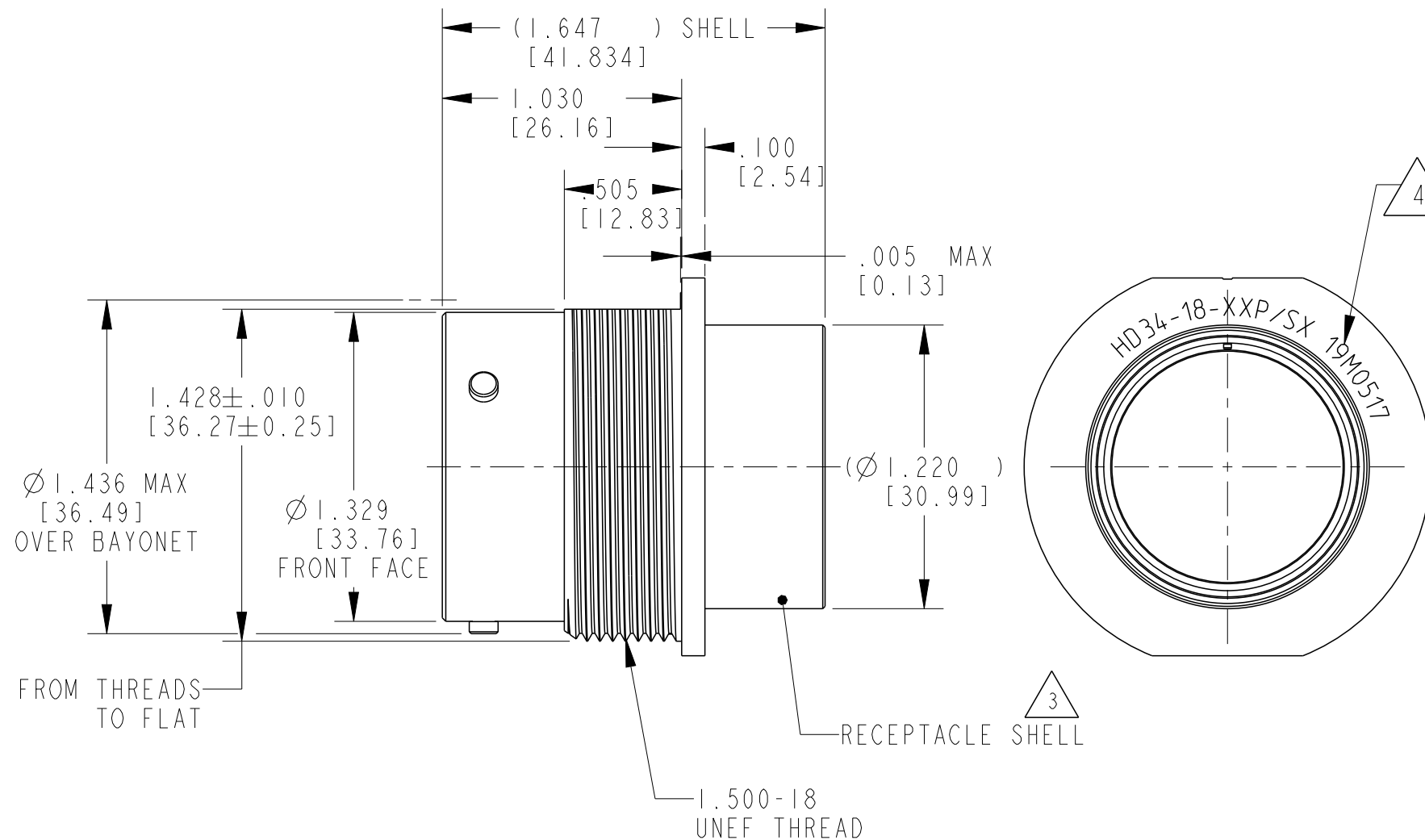
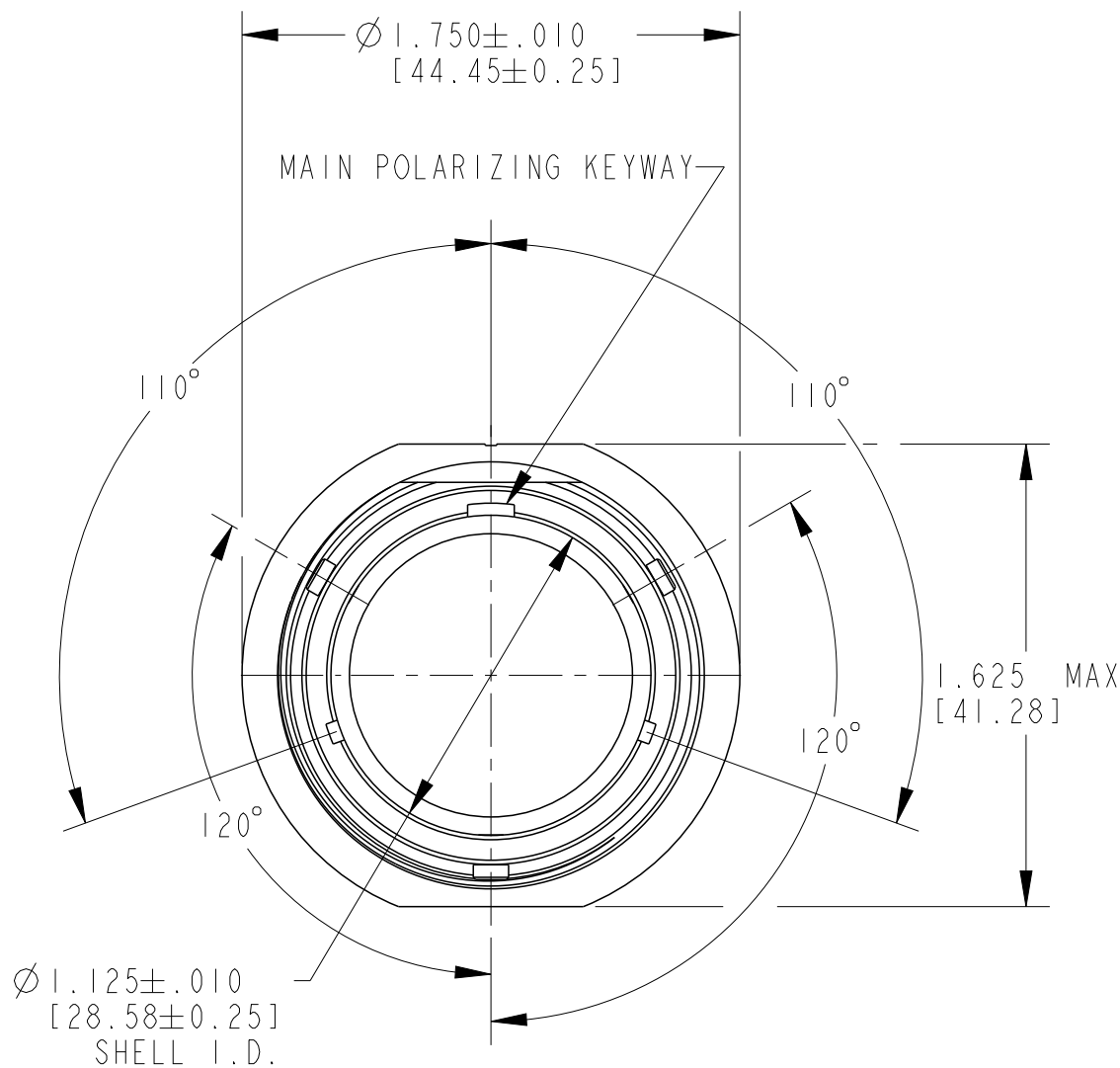


LOC	DIST	REVISIONS					
		P	LTR	DESCRIPTION	DATE	DWN	APVD
-	-	NC		NEW RELEASE PER E.O. A14915	04DEC1995	-	RDR
		A		REVISED PER ECO-15-001798	19MAR2015	VNB	DM
		A1		REVISED PER PCN E-20-000705	28JAN2020	PK	DM
		B		REVISED PER PCN-24-219560	30AUG2024	CO	CB




4 DATE CODE: IDENTIFIES THE YEAR, MONTH, DAY AND HOUR OF ASSEMBLY.
 YEAR: FIRST AND SECOND DIGITS. (14=2014)
 MONTH: THIRD DIGIT, EXCLUDING I. A=JAN., B=FEB., C=MARCH... (K=OCT.)
 DAY: FOURTH AND FIFTH DIGITS (14=14th DAY)
 HOUR: SIXTH AND SEVENTH DIGITS (11=11AM)

3 MATERIAL:
 RECEPTACLE SHELL: 6061-T6 ALUMINUM ALLOY,
 GROMMET: SILICONE VMQ (GREEN, BLUE, GRAY),
 RETAINER RING: PA66 GF10 (BLACK).

2. FOR ARRANGEMENT OF CONTACT LOCATION
 SEE ENVELOPE DRAWING 0425-013-1800.

1. CONSULT THE FACTORY FOR ELECTRICAL AND MATERIAL
 SPECIFICATIONS.

NOTES:

THIS DRAWING IS A CONTROLLED DOCUMENT.		DWN V. TOMSA	07NOV1995	 TE Connectivity	
DIMENSIONS: INCHES [mm]		CHK V. TOMSA	04DEC1995		
TOLERANCES UNLESS OTHERWISE SPECIFIED:		APVD R. REED	04DEC1995	NAME RECEPTACLE CONNECTOR SHELL SIZE 18 BAYONET COUPLING HD30 SERIES	
0 PLC ±- 1 PLC ±- 2 PLC ±- 3 PLC ±.010 [0.254] 4 PLC ±- ANGLES ±0° 30' 0"		PRODUCT SPEC 108-151014		SIZE A3	
MATERIAL 3		APPLICATION SPEC 114-151014		CAGE CODE -	
FINISH -		WEIGHT 36g		DRAWING NO C=HD34-18-XXP/SX	
		Customer Drawing		RESTRICTED TO -	
		SCALE NONE		SHEET 1 OF 1	
				REV B	