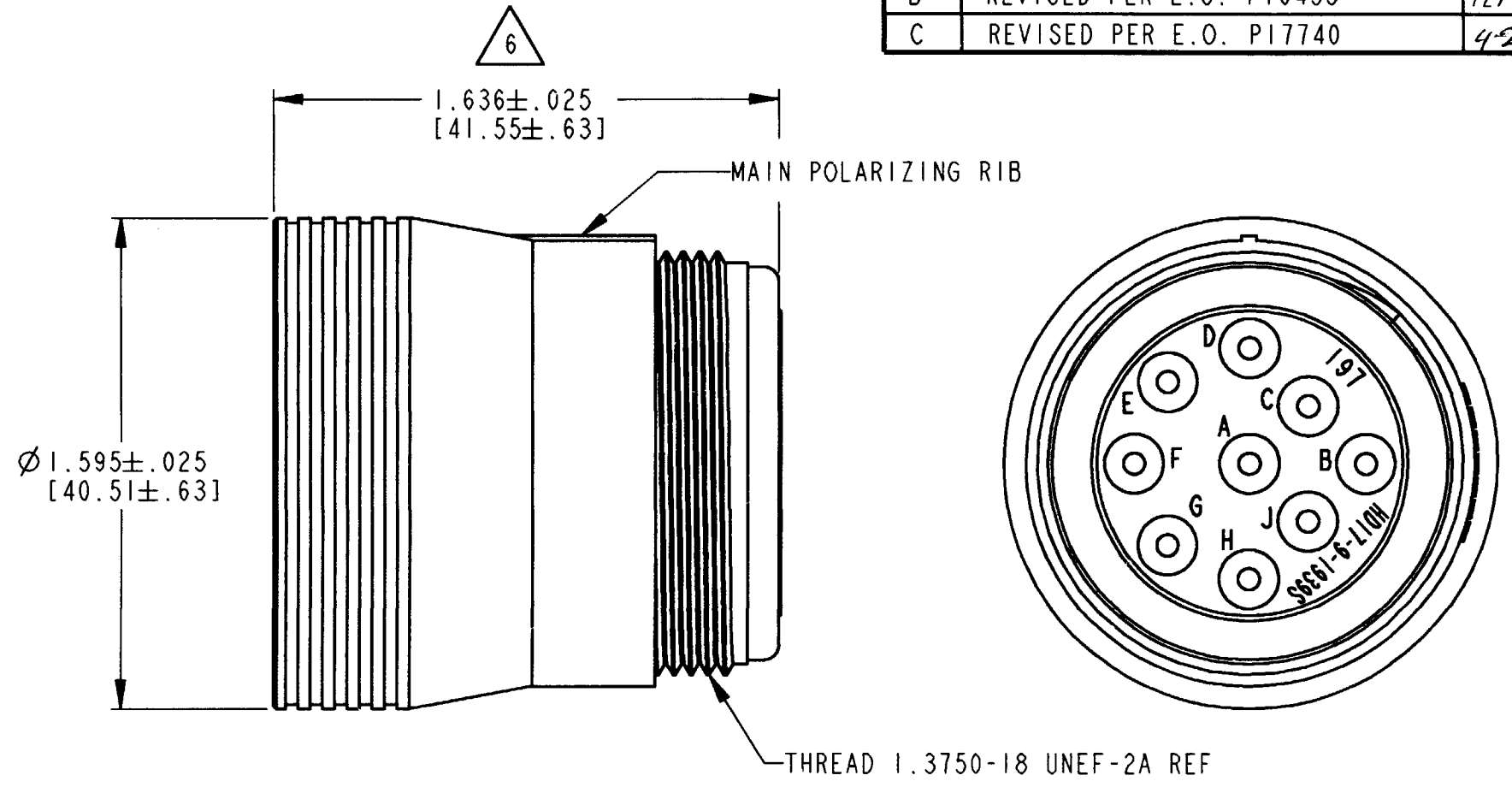


REV  
C HD17-9-1939S

REVISIONS			
SYM	DESCRIPTION	DATE	APPROVED
NC	NEW RELEASE PER E.O. P15120	10/7/96	R.D.R.
A	REVISED PER E.O. P15192	01/07/97	R.D.R.
B	REVISED PER E.O. P16453	12/17/99	R.D.R.
C	REVISED PER E.O. P17740	4-26-02	RDR



- FOR "PERFORMANCE AND APPLICATION CHARACTERISTICS OF SOLID/STAMPED AND FORMED CONTACTS AND WIRES," SEE ENVELOPE DRAWING 0425-015-0000. THIS PLUG USES SOCKET CONTACTS ONLY.
- ALL DIMENSIONS ARE IN INCHES [MILLIMETERS].
- THIS CONNECTOR SERIES WILL ACCOMMODATE THE FOLLOWING WIRE INSULATION DIAMETERS:

CONTACT SIZE	MINIMUM O.D.	MAXIMUM O.D.
16	.100 [2.54]	.150 [3.81]

- MATERIAL: SHELL: PLASTIC; SEAL: RUBBER.
- OVERALL DIMENSION DOES NOT INCLUDE RUBBER GROMMET.
- THIS PLUG MATES WITH HD10-9-1939P\*-\*\*\*\* AND HD14-9-1939P\*-\*\*\*\* RECEPTACLES (\* = SEAL TYPE, \*\*\*\* = ALL MODIFICATIONS).

NOTES:  
1. CONSULT FACTORY FOR ELECTRICAL AND MATERIAL SPECIFICATIONS.

SIGNATURE & DATE	
DR	J. NORRIS 9/11/96
CHK	<i>J. Norris</i> 9/25/02
PE	<i>S. Beard</i> 4-25-02
APPD	<i>R. Reed</i> 4-26-02
SCALE	NONE WT

PLUG CONNECTOR

HD10 SERIES  
ARR. 9-1939  
COLOR: BLACK

ENVELOPE

CP	MATL. CODE
<b>The Deutsch Company</b> DEUTSCH I.P.D. 3850 INDUSTRIAL AVE. HEMET, CALIF. 92545	
<b>B</b>	HD17-9-1939S
DWG SIZE	CODE 11139 SHEET 1 OF 1