

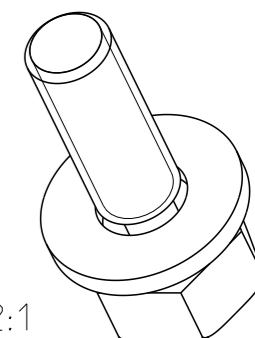
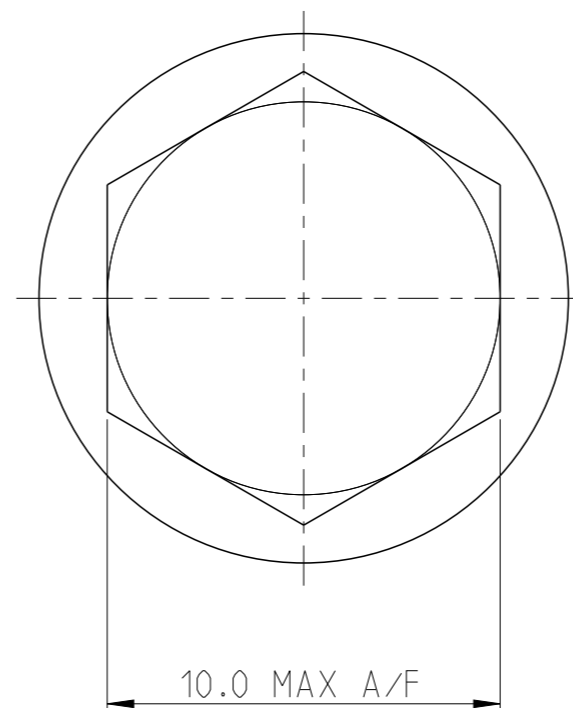
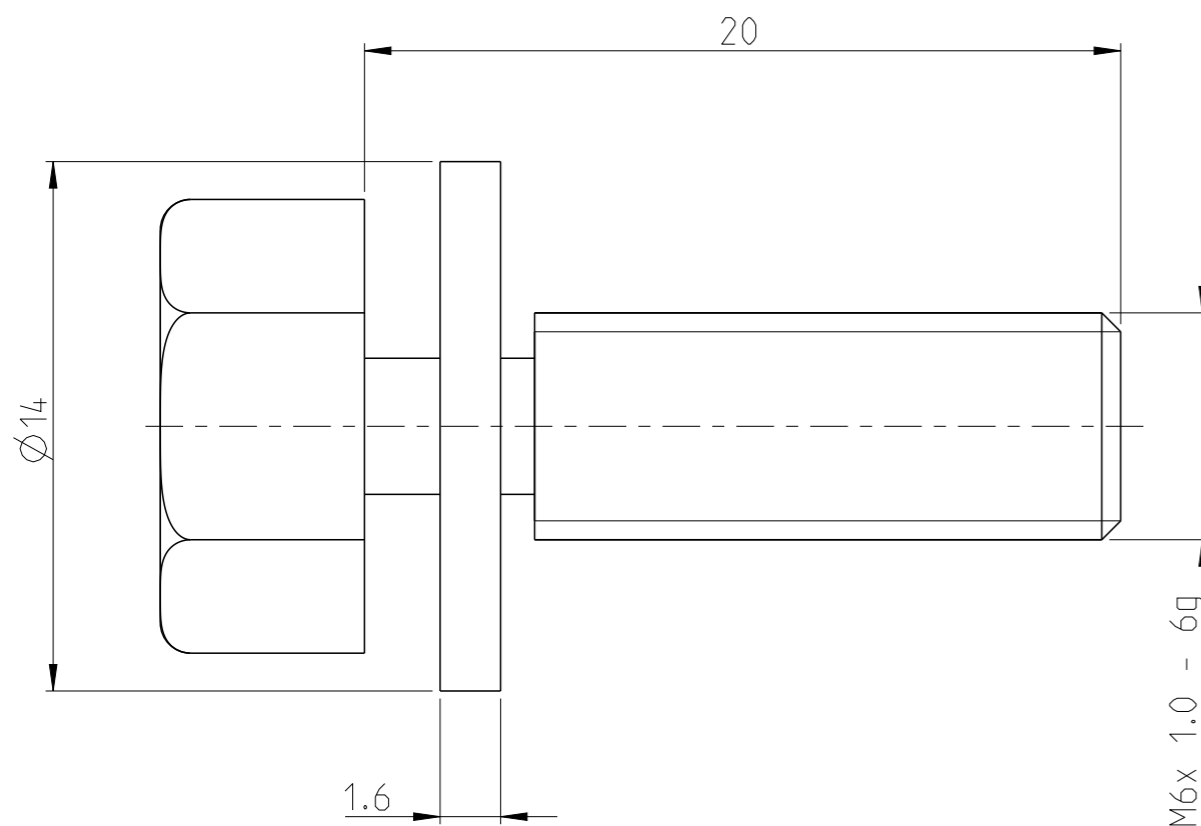
REVISIONS

P	LTR	DESCRIPTION	DATE	DWN	APVD
	A	INITIAL RELEASE	03JAN2017	VNB	CF
	B	SEE PCN E-17-009398	23JUN2017	VNB	PV

NOTES:

1 BOLT STEEL TO BS3692 GRADE 4.6

2 REPLACES OLD DEUTSCH DRAWING D303162 (ENVELOPE DRAWING)



SCALE 2:1

HC5981	1	2	-	BATTERY POST CONNECTOR SCREW M6x20mm HEX HEAD	B	1														
TE ORDER NO.	QUANTITY	MAT.	COLOUR SURFACE	DESCRIPTION	REV.	ITEM														
THIS DRAWING IS A CONTROLLED DOCUMENT.				<table border="1"> <tr> <td>DWN</td> <td>03JAN2017</td> <td rowspan="4"> </td> </tr> <tr> <td>CHK</td> <td>04JAN2017</td> </tr> <tr> <td>APVD</td> <td>04JAN2017</td> </tr> <tr> <td>V V BIDI</td> <td></td> </tr> </table>			DWN	03JAN2017		CHK	04JAN2017	APVD	04JAN2017	V V BIDI						
DWN	03JAN2017																			
CHK	04JAN2017																			
APVD	04JAN2017																			
V V BIDI																				
DIMENSIONS: mm		TOLERANCES UNLESS OTHERWISE SPECIFIED:		NAME BATTERY POST CONNECTOR SCREW																
		<table border="1"> <tr> <td>0 PLC</td> <td>±</td> <td rowspan="5">±0.3</td> </tr> <tr> <td>1 PLC</td> <td>±</td> </tr> <tr> <td>2 PLC</td> <td>±</td> </tr> <tr> <td>3 PLC</td> <td>±</td> </tr> <tr> <td>4 PLC</td> <td>±</td> </tr> <tr> <td>ANGLES</td> <td>±</td> <td>±0.5°</td> </tr> </table>		0 PLC	±	±0.3	1 PLC	±	2 PLC	±	3 PLC	±	4 PLC	±	ANGLES	±	±0.5°	PRODUCT SPEC 108-94604		
0 PLC	±	±0.3																		
1 PLC	±																			
2 PLC	±																			
3 PLC	±																			
4 PLC	±																			
ANGLES	±	±0.5°																		
MATERIAL		FINISH		SIZE A3																
2		ZINC NICKEL TRIVALENT CLEAR		CAGE CODE -																
CUSTOMER DRAWING				DRAWING NO HC5981																
				RESTRICTED TO -																
				SCALE 5:1																
				SHEET 1 OF 1																
				REV B																