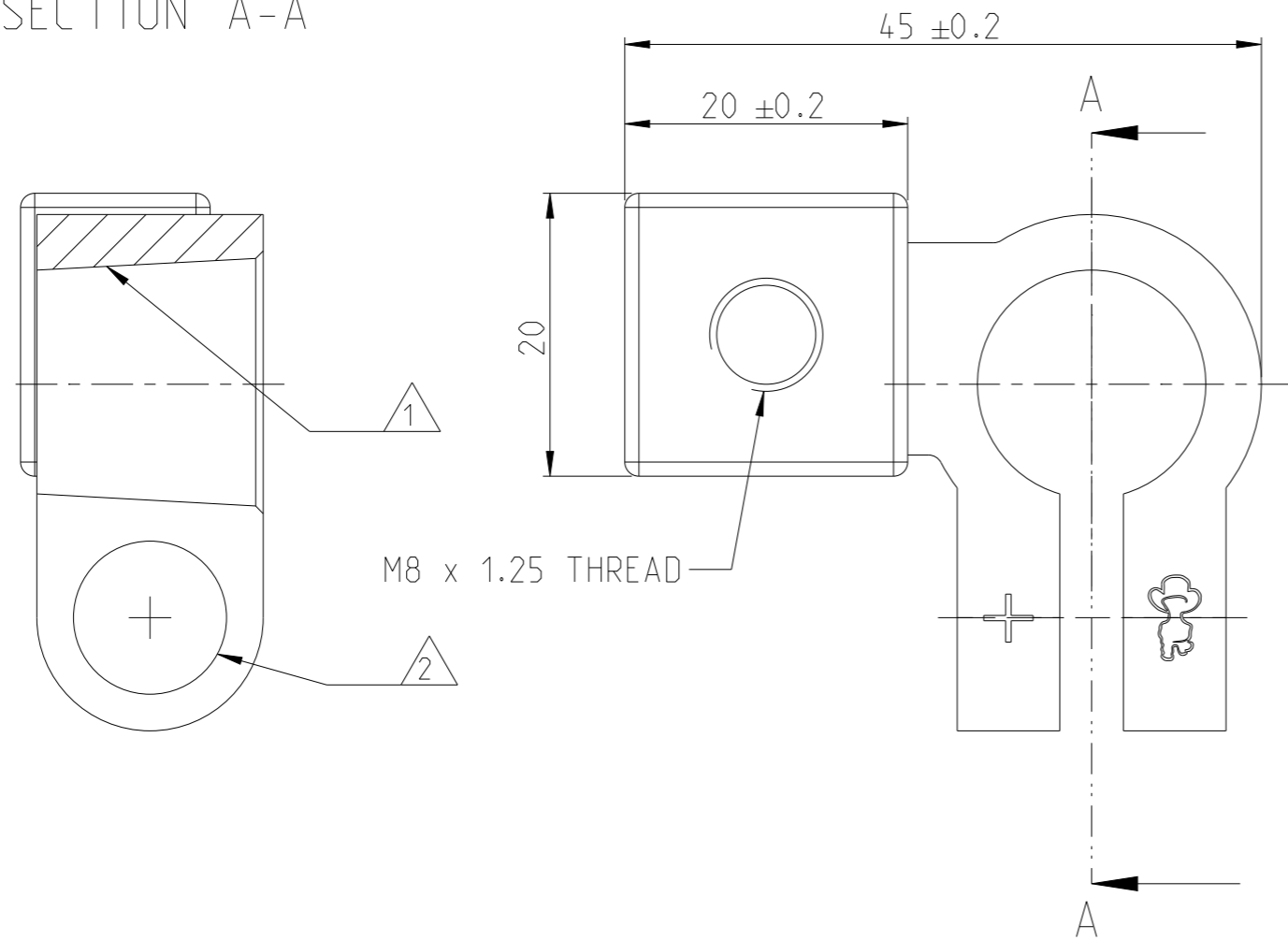


REVISIONS

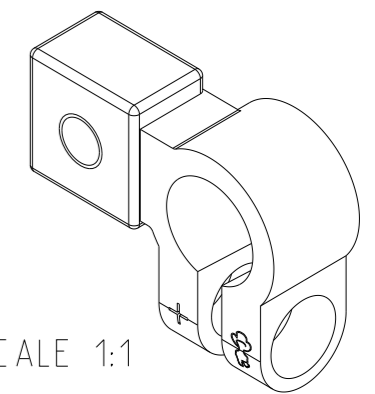
P	LTR	DESCRIPTION	DATE	DWN	APVD
	A	INITIAL RELEASE	18JUL2017	VNB	CF
	A1	ECR-21-125031	22DEC2021	DRK	GCR

SECTION A-A



NOTES:-

- 1 TAPER OF POST 1 IN 9 TO BS EN 50342-2 AND SAE J537 REV SEP2000
- 2 USE WITH +VE LEAD CONNECTOR.
- 3 REPLACES OLD DEUTSCH DRAWING D611854 (ENVELOPE DRAWING)



SCALE 1:1

YHC5902000000000000	1	BRASS	-	BATTERY POST CLAMP +VE	A	1											
TE ORDER NO.	QUANTITY	MAT.	COLOUR SURFACE	DESCRIPTION	REV.	ITEM											
THIS DRAWING IS A CONTROLLED DOCUMENT.			DWN 18JUL2017 VIJETH BHARADWAJ	 BATTERY POST CLAMP +VE													
DIMENSIONS: mm			CHK 21JUL2017 PRAVEENA V														
TOLERANCES UNLESS OTHERWISE SPECIFIED:			APVD 21JUL2017 V.V.BIDI														
<table border="1"> <tr> <td>0 PLC</td> <td>±</td> <td rowspan="4">±0.3</td> </tr> <tr> <td>1 PLC</td> <td>±</td> </tr> <tr> <td>2 PLC</td> <td>±</td> </tr> <tr> <td>3 PLC</td> <td>±</td> </tr> <tr> <td>4 PLC</td> <td>±</td> <td rowspan="2">±0.5°</td> </tr> <tr> <td>ANGLES</td> <td>±</td> </tr> </table>			0 PLC				±	±0.3	1 PLC	±	2 PLC	±	3 PLC	±	4 PLC	±	±0.5°
0 PLC	±	±0.3															
1 PLC	±																
2 PLC	±																
3 PLC	±																
4 PLC	±	±0.5°															
ANGLES	±																
MATERIAL BRASS	FINISH ELECTRO TIN PLATED	WEIGHT 84.5g	APPLICATION SPEC -	SIZE A3	CAGE CODE -	DRAWING NO HC5902											
CUSTOMER DRAWING				SCALE 2:1	SHEET 1 OF 1	REV A1											