

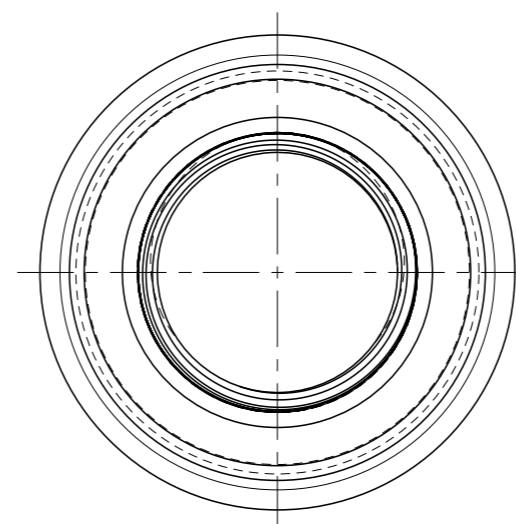
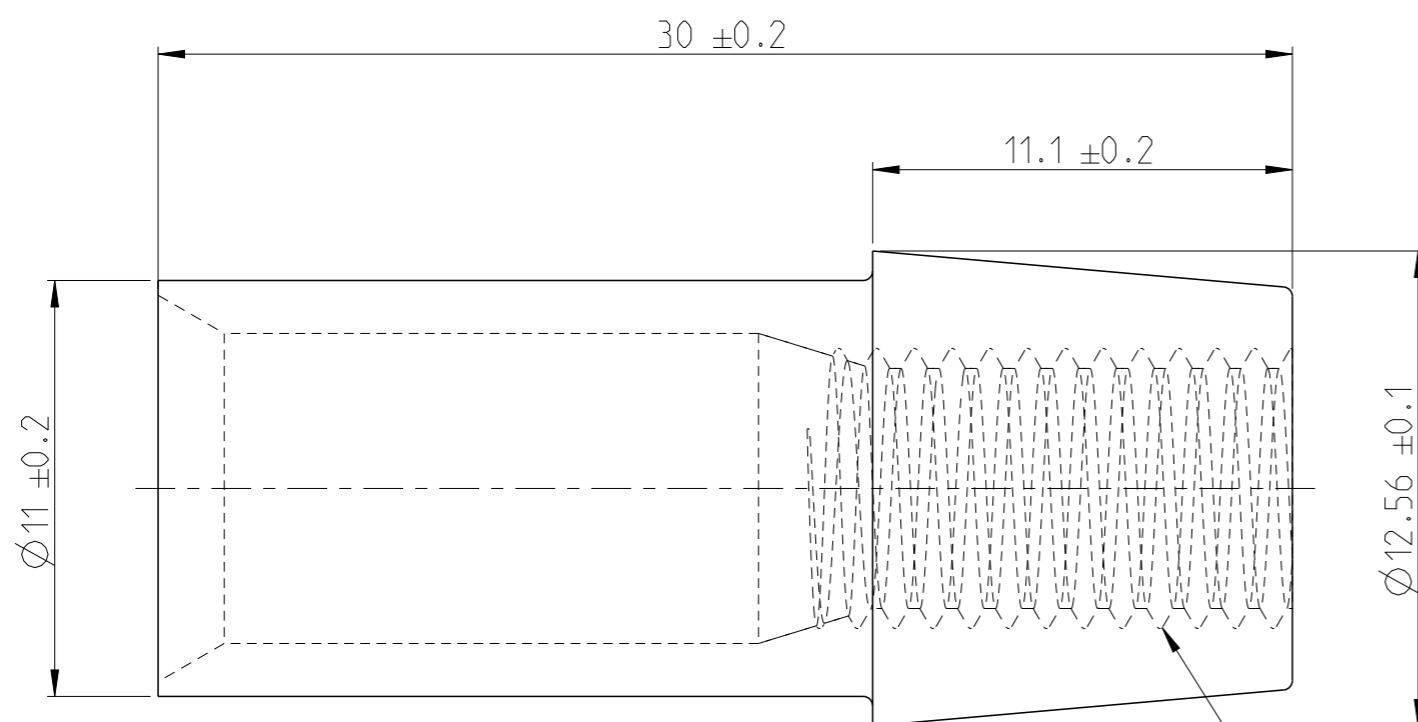
THIS DRAWING IS UNPUBLISHED. RELEASED FOR PUBLICATION 2017  
 © COPYRIGHT 2017 BY - TE CONNECTIVITY ALL RIGHTS RESERVED.

REVISIONS

P	LTR	DESCRIPTION	DATE	DWN	APVD
	A	INITIAL RELEASE	03JAN2017	VNB	CF

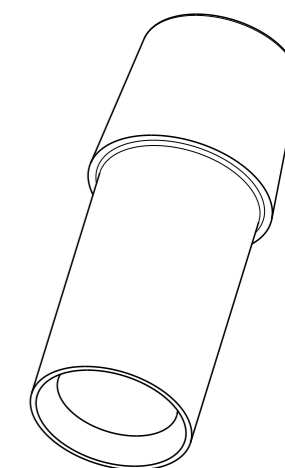
NOTES:

- 1 USED WITH BOLT PN HC5881
- 2 HEXAGONAL CRIMP DIES USED TO SUIT 35mm<sup>2</sup> WIRE
- 3 PART TO BE EMBOSSED WITH 35-P
- 4 REPLACES OLD DEUTSCH DRAWING D303132 (ENVELOPE DRAWING)



1/4" UNC THREAD

SCALE 2:1



HC5732	1	BRASS	-	BATTERY LEAD CONNECTOR 35 SQ MM +VE	A	1
TE ORDER NO.	QUANTITY	MAT.	COLOUR SURFACE	DESCRIPTION	REV.	ITEM

THIS DRAWING IS A CONTROLLED DOCUMENT.		DWN 17NOV2016 VIJETH BHARADWAJ								
DIMENSIONS: mm		CHK 04JAN2017 PRAVEENA V					NAME	BATTERY LEAD CONNECTOR 35 SQ MM +VE		
TOLERANCES UNLESS OTHERWISE SPECIFIED: ±0.3		APVD 04JAN2017 V V BIDI					PRODUCT SPEC	-		
		FINISH					APPLICATION SPEC	-		
MATERIAL BRASS		FINISH ELECTRO TIN PLATED	WEIGHT 13.4g	SIZE A3	CAGE CODE -	DRAWING NO HC5732	RESTRICTED TO -			
CUSTOMER DRAWING				SCALE 5:1	SHEET 1 OF 1	REV A				