

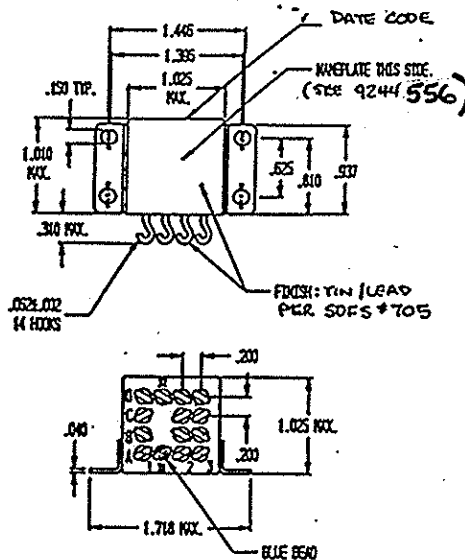
MSD INC.

ENGINEERING DATA SHEET

RELAY TYPE: FCA-410-**CXI** | COMPUTER PART No.: 9244**556** | TEST PROCEDURE
 CUSTOMER/SPECIFICATION: **CATALOG ITEM** | REV NONE | **MSDP-791**

TEST REQUIREMENTS

COIL RES.: **18** +/-10% ohms OPERATE TIME: **15 mS Max** RELEASE TIME: **15 mS Max**
 CONTACT MAKE BOUNCE: **1 mS Max** N.O. BREAK BOUNCE: **N/A**
 CONTACT STABILIZATION TIME: **N/A** RATED COIL VOLTAGE: **6 Vdc**
 CONTACT RES.: MFG TEST: **8 Milliohms @ 10 mA** FINAL TEST: **10 Milliohms @ 10 mA**
 CONTACT VOLTAGE DROP: FINAL TEST: **100 mV Max @ 10 A - 6 V dc**
 HI-POT: **1250 V ms ALL POINTS, EXCEPT 1000 V ms COIL TO CASE**
 INSULATION RESISTANCE: **100 Megohms Min @ 500 V dc**
 VIBRATION: **N/A**
 SEAL TEST: **1X10⁻⁸ Max LEAK RATE** COIL TRANSIENT SUPPRESSION: **N/A**
 OTHER: _____



Prepared By: Date		Approved By: Date	
LES WYNNE 12-16-96			
Rev	ECN No.	Date	
A	96-065	12-16-96	

TERMINAL LETTERS & NUMBERS FOR REFERENCE ONLY.
 DOES NOT APPEAR ON RELAY HEADER.

SPECIAL INSTRUCTIONS