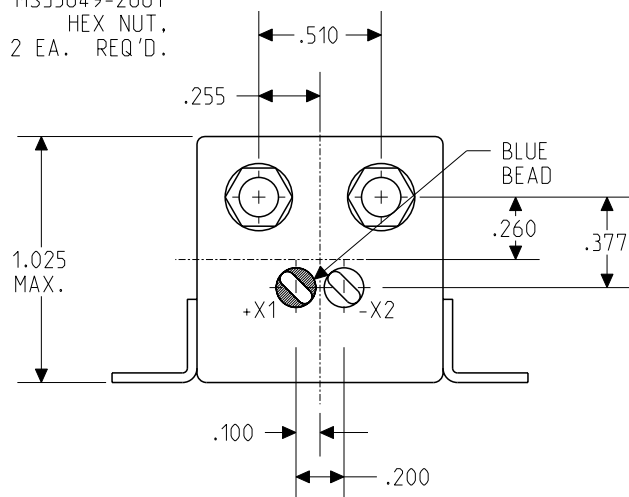


.164-32 UNC-2A  
STUD,  
LUG SEAT,  
MS35338-42  
AN961-8T LOCK  
WASHER,  
MS35649-286T  
HEX NUT,  
2 EA. REQ'D.



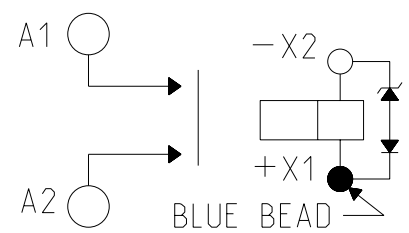
TOL = +/- .010 UNLESS OTHERWISE SPECIFIED

REV. A  
DCO 301424

COIL: @ 25°C	
RESISTANCE	290 OHMS ±10%
NOMINAL VOLTAGE	28.0 VDC
MUST OPERATE	13.5 VDC MAX.
MUST RELEASE	5.5 VDC MAX., 2.3 VDC MIN.

ENVIRONMENT:	
VIBRATION	75 Hz TO 3000 Hz @ 20 g's
SHOCK	50 g's 11 MS. DURATION
TEMPERATURE	-70 °C TO +125 °C
NOTES: OPERATE & RELEASE 15 ms MAX. @ 25°C	
CONTACT BOUNCE 1 ms MAX.	
DIELECTRIC 1250 VRMS/60 Hz (1000 VRMS/60 Hz COIL TO CASE)	
COIL TRANSIENT SUPPRESSION 42 VDC MAX.	

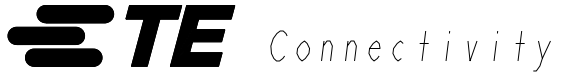
CUSTOMER DATA SHEET



TERMINAL VIEW

CONTACT RATING:	
50 AMPS 28 VDC + 115 VAC 400 HZ	
RESISTIVE 50,000 OPERATIONS	

DR. R.F. 12/22/2011 CK. M.B. 12/22/2011



CUST. CATALOG \_\_\_\_\_  
CUST. NO. \_\_\_\_\_ REV. \_\_\_\_\_

TE NUMBER  
1-1617800-1

CII PART NUMBER  
FCA-150-CR4