

BIMETALLIC CRIMPED LUGS ACX/ACX-C TYPE FRICTION WELDING TECHNOLOGY

KEY FEATURES

- Range from : 35 to 300 mm² for ACX type
- One technology for all the sizes of cables.
- Age resistant current passage from the aluminium barrel to the solid copper palm
- Aluminium barrel and solid copper palm

TE Connectivity's (TE) bimetallic Alu/Cu lugs are used to connect aluminium industrial conductors into copper apparatus bushings (ex: circuit breakers, motors, switchboards) for indoor application.

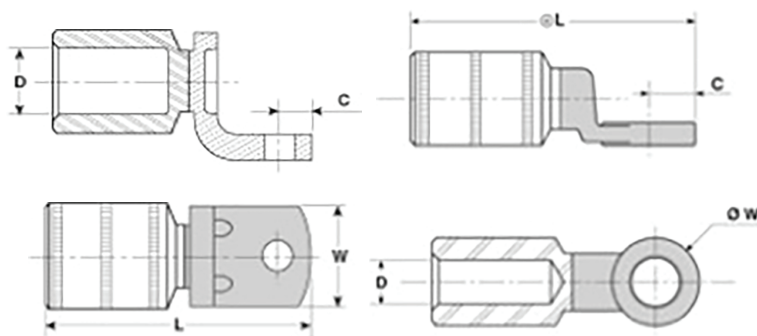
ACX-C type is specific for narrow tongue in reduced width apparatus bushing. These lugs can be fitted into the new generation of circuit breaker, and is the best technical solution to connect aluminium conductor to a copper bar.

Customers can count on consistent, high quality products, driven by TE's proven innovation and backed by our extraordinary customer support.

Bimetallic Crimped Lugs, ACX/ACX-C



Compliant with NF C 63-061 class B



PRODUCT SELECTION INFORMATION								
Description	Capacity (mm ²)	Dimensions (mm)				Stud Hole Ø (mm)	Weight g/unit	Part Number
		W	D	C	L			
ACX 35	35	Ø 16	8	8	57	8,2	30	709032-1
ACX 50	50	Ø 16	9	8	57	8,2	35	709032-2
ACX 70	70	Ø 20	11	10	60	10,3	38	709033-1
ACX 95	95	Ø 20	12,5	10	60	10,3	40	709033-2
ACX 120	120	Ø 20	13,7	10	60	10,3	110	709033-3
ACX 150	150	Ø 30	15,5	15	78	12,8	100	709034-1
ACX 185	185	Ø 30	17	15	78	12,8	110	710148-1
ACX 240	240	Ø 30	19,5	15	78	12,8	135	709034-2
ACX 300	300	Ø 35	22	17,5	85	14,5	150	1229201-2
ACX-C 150	150	25	15,5	11,5	76	10,3	105	1306636-1
ACX-C 185	185	25	17	11,5	76	10,3	108	1306637-1
ACX-C 240	240	30	19,5	11,5	76	10,3	158	1306638-1
ACX-C 300	300	30	22	11,5	85	10,3	175	1336639-1

te.com/energy

©2016 TE Connectivity Ltd. family of companies. All Rights Reserved. EPP-2321-06/16

TE Connectivity and TE Connectivity (logo) are trademarks. Other logos, product and/or company names might be trademarks of their respective owners. While TE has made every reasonable effort to ensure the accuracy of the information in this brochure, TE does not guarantee that it is error-free, nor does TE make any other representation, warranty or guarantee that the information is accurate, correct, reliable or current. TE reserves the right to make any adjustments to the information contained herein at any time without notice. TE expressly disclaims all implied warranties regarding the information contained herein, including, but not limited to, any implied warranties of merchantability or fitness for a particular purpose. The dimensions in this catalog are for reference purposes only and are subject to change without notice. Specifications are subject to change without notice. Consult TE for the latest dimensions and design specifications.

FOR MORE INFORMATION: TE Technical Support Centers

USA: + 1 800 327 6996
 France: + 33 380 583 200
 UK: + 44 0870 870 7500
 Germany: + 49 896 089 903
 Spain: + 34 916 630 400
 Italy: + 39 333 250 0915
 Benelux: + 32 16 351 731
 Canada: + 1 (905) 475-6222
 Mexico: + 52 (0) 55-1106-0800
 Latin/S. America: + 54 (0) 11-4733-2200
 China: + 86 (0) 400-820-6015