

TE'S RAYCHEM SCREENED T-CONNECTORS RSTI-68

FOR INTERFACE C, RATED UP TO 800A/42 kV

KEY FEATURES

- Screened connector does not need to be removed for over sheath testing
- Wide application range covers cable cross sections from 25 mm² to 300 mm²
- Easy access rear plug with capacitive test point
- Insulation made of highly modified silicone rubber
- Compact design supports use of double "T" connections inside standard terminal boxes
- Unlimited shelf-life

TE Connectivity's (TE) Raychem Screened separable T-connectors RSTI-68 are designed to connect single and three-core polymeric cables to medium voltage gas insulated switchgear and other equipment using bushings type "C" (EN50180/EN50181) specified for 630/1250A up to 42 kV.

Made of a highly modified silicone rubber and protected by a thin-walled, grounded outer conductive screen, TE's Raychem RSTI-68 connectors are equally suited for indoor and outdoor installation. Supporting a wide application range, the design incorporates one body and two stress cone adapters to cover any cross-sections from 25 mm² to 300 mm². The overall and cut-back dimensions are designed to take up minimum space in the terminal box.

TE's Raychem RSTI-68 connectors are equipped with a capacitive test point for determining whether the circuit is energized. This test point is protected by a conductive cap. After cable preparation and lubrication, the stress control adapter is simply slid into place, followed by the screened connector body. These two components can be installed under virtually any conditions. A separable mounting system ensures easy installation of the connector onto the bushing.

Our kits include high-performance multi-range mechanical or DIN compression lugs matching the design of TE's Raychem RSTI-68 connector.

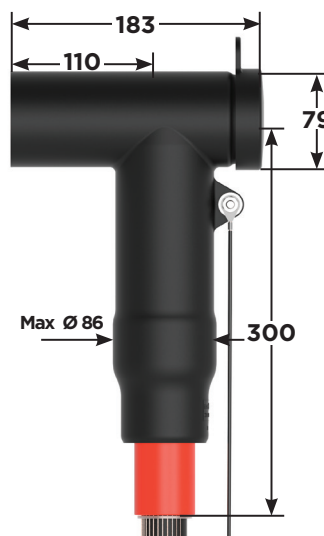
Customers can count on consistent, high quality products, driven by TE's proven innovation and backed by our extraordinary customer support.

TE's Raychem Screened T-Connectors RSTI-68



The RSTI-68 screened cable connectors meet the international CENELEC HD 629.1 S2 specification, which includes BS, VDE and other international specifications.

TECHNICAL DATA	
Cable insulation diameter range	21.0 mm - 42.0 mm
Connector cross-section range	25 mm ² - 300 mm ²
Maximum system voltage	42 kV
Continuous current rating	800A
Basic impulse level	200 kV
Partial discharge at 2 U ₀	< 2 pC
AC voltage withstand, 5 min.	93.5 kV
DC voltage withstand, 15 min.	125 kV
Thermal short circuit, 1 s	55 kA
Thermal short circuit, 3 s	32 kA



PRODUCT SELECTION INFORMATION				
Description		Diameter Core Insulation (mm)		Cross Section (mm ²)
Aluminum	Copper	min	max	
with DIN compression lugs				
RSTI-6811	RSTI-6821	22.4	35.5	50
RSTI-6812	RSTI-6822	22.4	35.5	70
RSTI-6813	RSTI-6823	22.4	35.5	95
RSTI-6814	RSTI-6824	22.4	35.5	120
RSTI-6815	RSTI-6825	28.9	42.0	150
RSTI-6816	RSTI-6826	28.9	42.0	185
RSTI-6817	RSTI-6827	28.9	42.0	240
RSTI-6818	RSTI-6828	28.9	42.0	300
with mechanical lugs and shear bolts				
RSTI-6851 (Al or Cu)		22.4	35.5	25 - 95
RSTI-6852 (Al or Cu)		22.4	35.5	95 - 150
RSTI-6853 (Al or Cu)		28.9	42.0	120 - 240
RSTI-6855 (Al or Cu)		28.9	42.0	185 - 300

Kits including deep indent lugs are on request. Contact your local sales representative.

TEST REPORT

PPR-2687

te.com/energy

© 2020 TE Connectivity. All Rights Reserved. EPP-1714-06/20-EN

TE Connectivity, TE connectivity (logo), EVERY CONNECTION COUNTS, AMP, AMPACT, Axicom, Bowthorpe EMP, Crompton Instruments, Raychem, SIMEL, UTILUX are trademarks. Other logos, product and Company names mentioned herein may be trademarks of their respective owners. While TE has made every reasonable effort to ensure the accuracy of the information in this brochure, TE does not guarantee that it is error-free, nor does TE make any other representation, warranty or guarantee that the information is accurate, correct, reliable or current. TE reserves the right to make any adjustments to the information contained herein at any time without notice. TE expressly disclaims all implied warranties regarding the information contained herein, including, but not limited to, any implied warranties of merchantability or fitness for a particular purpose. The dimensions in this brochure are for reference purposes only and are subject to change without notice. Specifications are subject to change without notice. Consult TE for the latest dimensions and design specifications

FOR MORE INFORMATION: TE Technical Support Centers

USA/Canada:	+1 800-327-6996
Brazil:	+55 11-2103-6023
Mexico:	+52 55-1106-0800
South America:	+57 1-319-8962
Benelux:	+32 16-508-695
France:	+33 (0) 38-058-3210
Germany/Switzerland:	+49 (0) 89-608-9903
Italy:	+39 335-834-3453
Middle East/Africa:	+971 4-211-7020
Russia:	+7 495-790-790-2-200
Spain/Portugal:	+34 912-681-885
UK:	+44 08708-707-500
China:	+86 400-820-6015