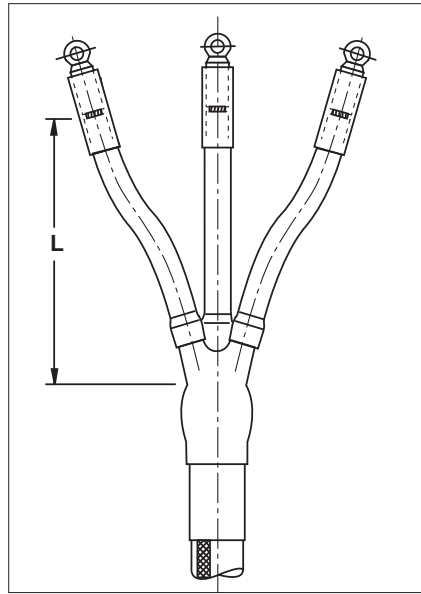
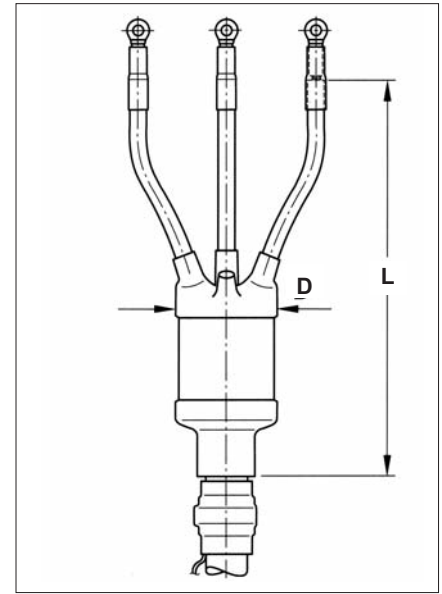


Indoor terminations for belted, paper insulated cables (MI and MIND) with one common metal sheath 6 kV and 10 kV



Dimension L see table (L min = 450 mm)



EPKT Termination only for MI cables

Cable

The indoor termination is designed for 6 kV and 10 kV three core belted, paper insulated (MI, MIND) cables.

For example: SB, ASB, SAAB, AABY, ASBY, AABY, ASBY, СБ2лГ, АСБ2лГ, СБнГ, АСБнГ, АивВГ, ПвПГ, Кпу, КпFтly, АкпFтА, АкпFтy, АНКОР, АНКОРV, CNKOY, CNKODY, IPO 13, IPO 14, NPO 13, NPO 14, N(A)KBA, N(A)KLEY

Design of termination

The paper cores are covered with oil barrier tubing. The crutch is filled with an oil resistive yellow mastic and is sealed

with an adhesive lined, conductive breakout which is installed over the cores and the end of the metal sheath. Yellow stress control mastic is laid around the ends of breakout fingers and the cores are covered with red, non-tracking tubing. The end of the termination is sealed either to the cable lug or to the solid conductor with a sealing boot. The kit includes a solderless earth connection. Kits with the modification code -L12 include mechanical lugs with a busbar connection hole for M12 connection bolts, with code -L16 for M16 bolts (note: M16 not available for kits with cross section 25–50 mm²).

Design of oil filled terminations for MI cables

The cores are covered with brown, pressure-resistant oil-barrier tubing. A transparent oil pot with heat-shrinkable moulded parts seals onto the oil barrier tubing and the metal sheath. The pot has to be filled with regular cable oil (not supplied with the termination). Adhesive coated sealing boots ensure an oil tight sealing to the cable lug. Solderless earth connections can be ordered separately.

Termination for MI and MIND cables

Nominal voltage U ₀ /U (kV)	Cross section (mm ²)	Ordering description with cable lug*		Dimension L (mm)
			without cable lug**	
3,5/6 and 6/10	25– 50	GUST-12/ 25- 50/ 450-L12	GUST-12/ 25- 50/ 450	450
		GUST-12/ 25- 50/ 800-L12	GUST-12/ 25- 50/ 800	800
		GUST-12/ 25- 50/1200-L12	GUST-12/ 25- 50/1200	1200
	70–120	GUST-12/ 70-120/ 450-L12	GUST-12/ 70-120/ 450	450
		GUST-12/ 70-120/ 800-L12	GUST-12/ 70-120/ 800	800
		GUST-12/ 70-120/1200-L12	GUST-12/ 70-120/1200	1200
	150–240	GUST-12/150-240/ 450-L12	GUST-12/150-240/ 450	450
		GUST-12/150-240/ 800-L12	GUST-12/150-240/ 800	800
		GUST-12/150-240/1200-L12	GUST-12/150-240/1200	1200

* For terminations with mechanical lugs for M16 bolts use modification code -L16 (not available for kits with cross section 25–50 mm²).

** Longitudinally sealed cable lugs are not part of the kit and can be ordered separately.

Note: One termination kit includes material for 3 phases.

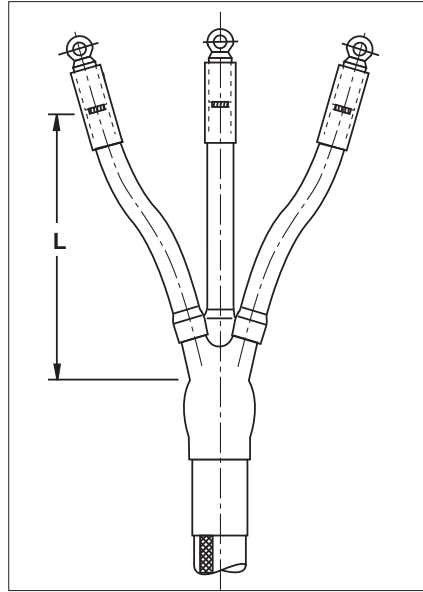
The core lengths can be reduced to the requirements at the place of installation, the minimum core length is 450 mm.

Termination only for MI cables

Nominal voltage U ₀ /U (kV)	Cross section (mm ²)	Ordering description by length		Dimension D (mm)	Solderless earth connection
		L = 550 mm	L = 900 mm		
3,5/6	16– 35	EPKT-4541	EPKT-4543	101	EAKT-1668-DE01
	50–120	EPKT-4547	EPKT-4549	101	EAKT-1669-DE01
	150–240	EPKT-4559	EPKT-4561	125	EAKT-1670-DE01
	300–400	EPKT-4565	EPKT-4567	125	EAKT-1671-DE01
6/10	16– 35	EPKT-4541	EPKT-4543	101	EAKT-1668-DE01
	50– 95	EPKT-4547	EPKT-4549	101	EAKT-1669-DE01
	120–185	EPKT-4559	EPKT-4561	125	EAKT-1670-DE01
	240–300	EPKT-4565	EPKT-4567	125	EAKT-1671-DE01

Note: Longitudinally sealed cable lugs are not part of the kit and can be ordered separately. The core lengths can be reduced to the requirements at the place of installation, the minimum core length is 550 mm. Solderless earth connection must be ordered separately, it consists of 2 roll springs, earth lead, protection tubing and sealing adhesive.

Outdoor terminations for belted, paper insulated cables (MI and MIND) with one common metal sheath 6 kV and 10 kV



Dimension L see table
 (L min = 450 mm for $U_o/U = 3,5/6$ kV)
 (L min = 800 mm for $U_o/U = 6/10$ kV)

Cable

The outdoor termination is designed for 6 kV and 10 kV three core belted, paper insulated (MI, MIND) cables.

For example: SB, ASB, SAAB, ASBY, AABY, AABY, ACBY, Kny, KnFtly, AknFtA, AknFty, ANKOP, ANKOPV, CNKOOY, CNKODY, ANKOY, IPO 13, IPO 14, NPO 13, NPO 14, N(A)KBA, N(A)KLEY

Design of termination

The paper cores are covered with oil barrier tubing. The crutch area is filled with oil resistive yellow mastic and is sealed with an adhesive lined, conductive breakout which is installed over the cores and the end of the metal sheath. Yellow stress control mastic is laid around the ends of breakout fingers and the cores are covered with red, non-tracking tubing. The end of the termination is sealed

either to the cable lug or to the solid conductor with a sealing boot. The kit includes a solderless earth connection. Kits with the modification code -L12 include mechanical lugs with a busbar connection hole for M12 connection bolts, with code -L16 for M16 bolts (note: M16 not available for kits with cross section 25–50 mm²).

Nominal voltage U_o/U (kV)	Cross section (mm ²)	Ordering description with cable lug*	with out cable lug**	Dimension L (mm)
3,5/6	25– 50	GUST-12/ 25- 50/ 450-L12	GUST-12/ 25- 50/ 450	450
		GUST-12/ 25- 50/ 800-L12	GUST-12/ 25- 50/ 800	800
		GUST-12/ 25- 50/1200-L12	GUST-12/ 25- 50/1200	1200
	70–120	GUST-12/ 70-120/ 450-L12	GUST-12/ 70-120/ 450	450
		GUST-12/ 70-120/ 800-L12	GUST-12/ 70-120/ 800	800
		GUST-12/ 70-120/1200-L12	GUST-12/ 70-120/1200	1200
150–240	GUST-12/150-240/ 450-L12	GUST-12/150-240/ 450	450	
	GUST-12/150-240/ 800-L12	GUST-12/150-240/ 800	800	
	GUST-12/150-240/1200-L12	GUST-12/150-240/1200	1200	
6/10	25– 50	GUST-12/ 25- 50/ 800-L12	GUST-12/ 25- 50/ 800	800
		GUST-12/ 25- 50/1200-L12	GUST-12/ 25- 50/1200	1200
	70–120	GUST-12/ 70-120/ 800-L12	GUST-12/ 70-120/ 800	800
		GUST-12/ 70-120/1200-L12	GUST-12/ 70-120/1200	1200
	150–240	GUST-12/150-240/ 800-L12	GUST-12/150-240/ 800	800
		GUST-12/150-240/1200-L12	GUST-12/150-240/1200	1200

* For terminations with mechanical lugs for M16 bolts use modification code -L16 (not available for kits with cross section 25–50 mm²).

** Longitudinally sealed cable lugs are not part of the kit and can be ordered separately.

Note: One termination kit includes material for 3 phases.

The core lengths can be reduced to the requirements at the place of installation, the minimum core length is 450 mm for $U_o/U = 3,5/6$ kV and 800 mm for $U_o/U = 6/10$ kV.

Explanation of MI and MIND:

MI = Mass Impregnated = cable impregnated with draining compound

MIND = Mass Impregnated Non Draining = cable impregnated with non draining compound