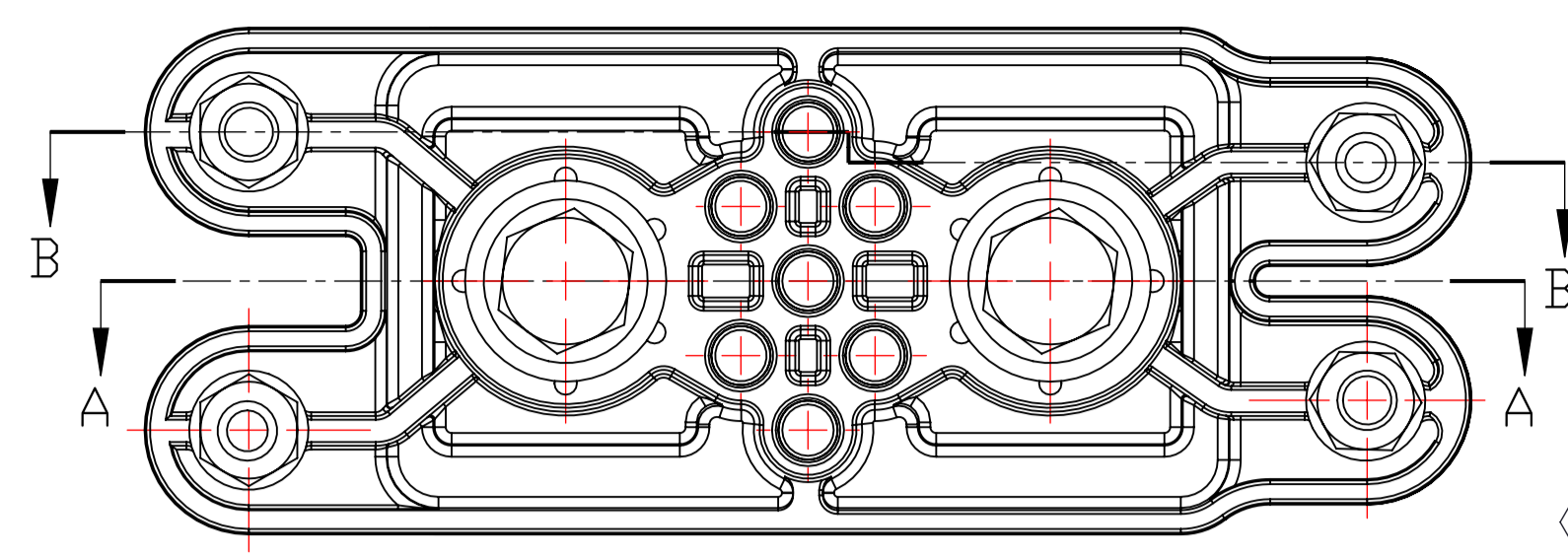
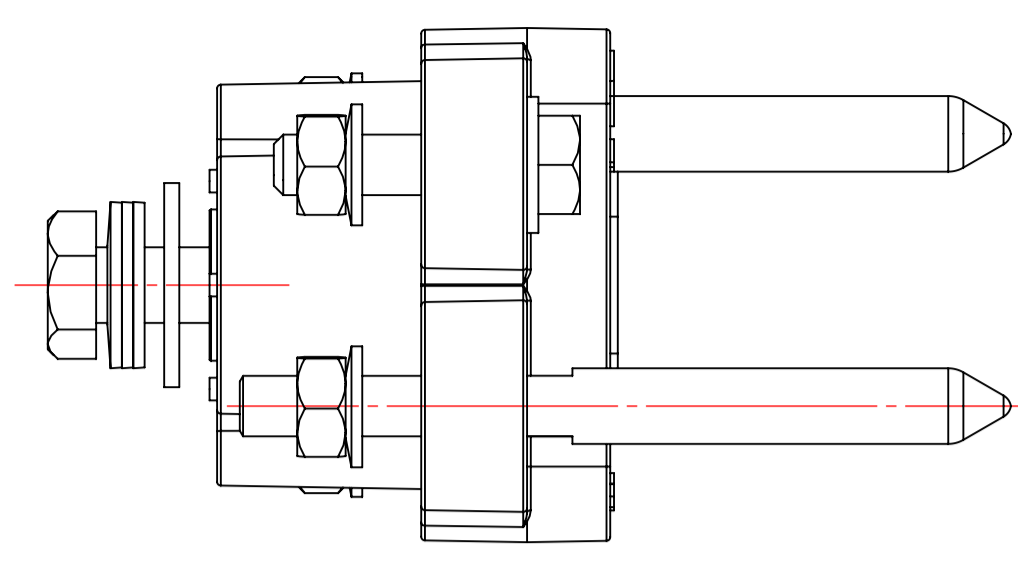
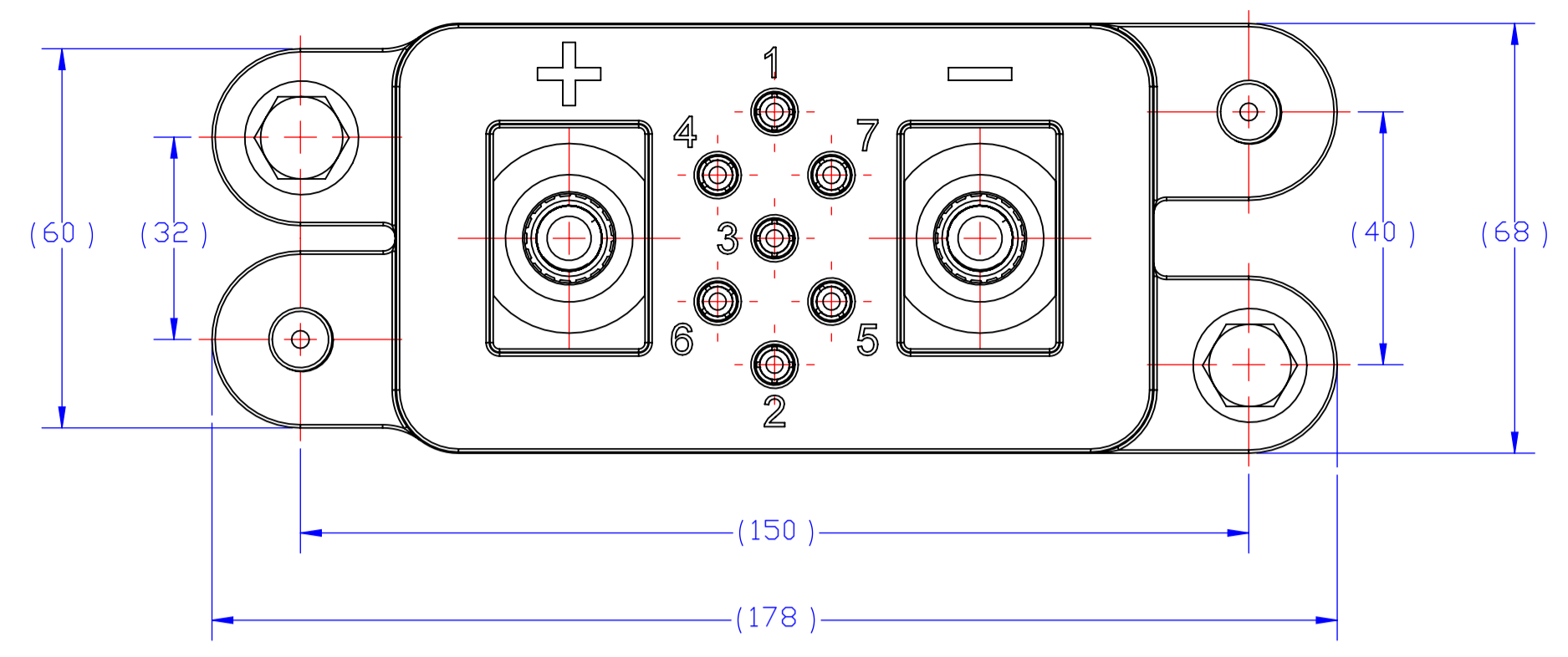
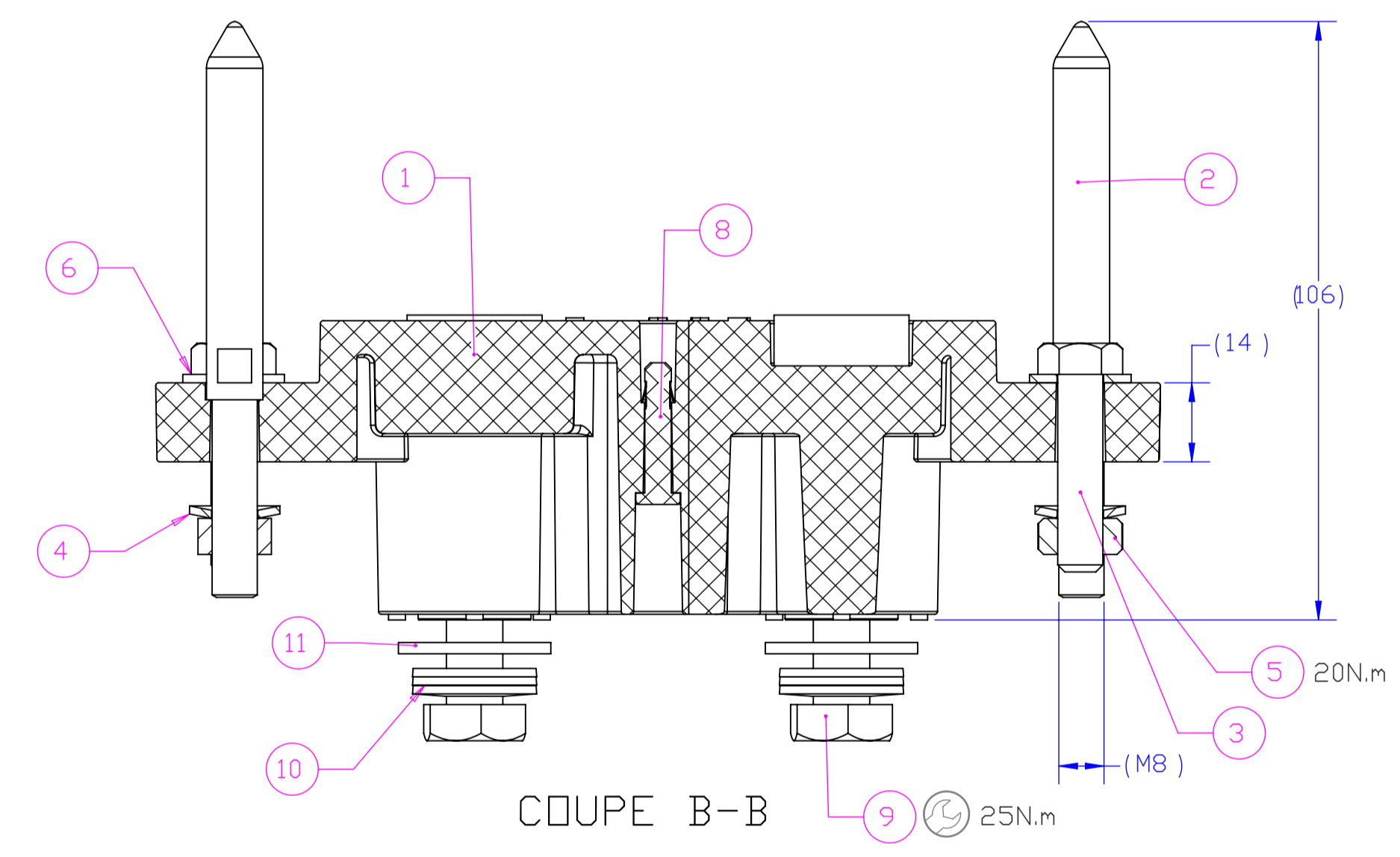
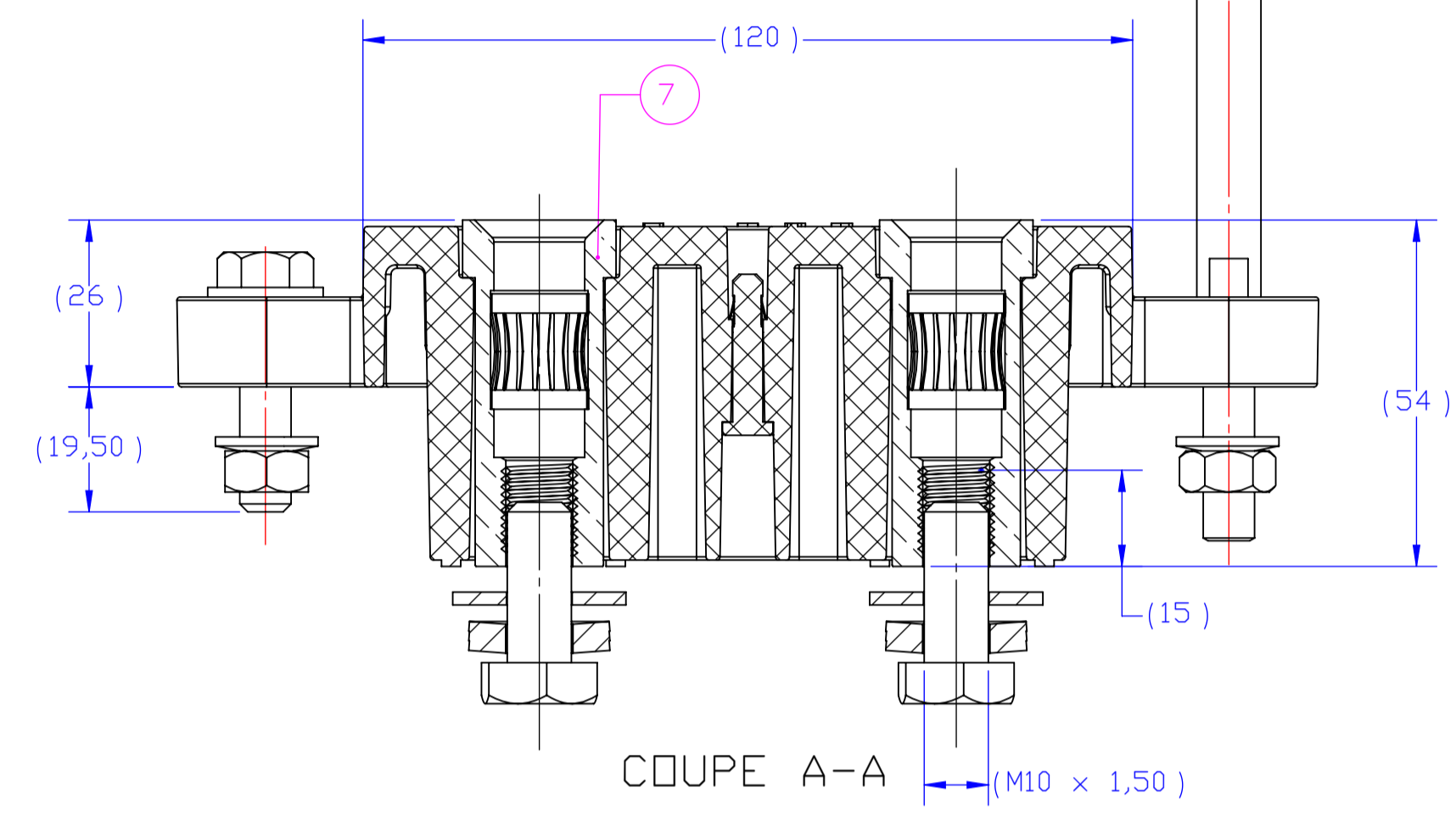
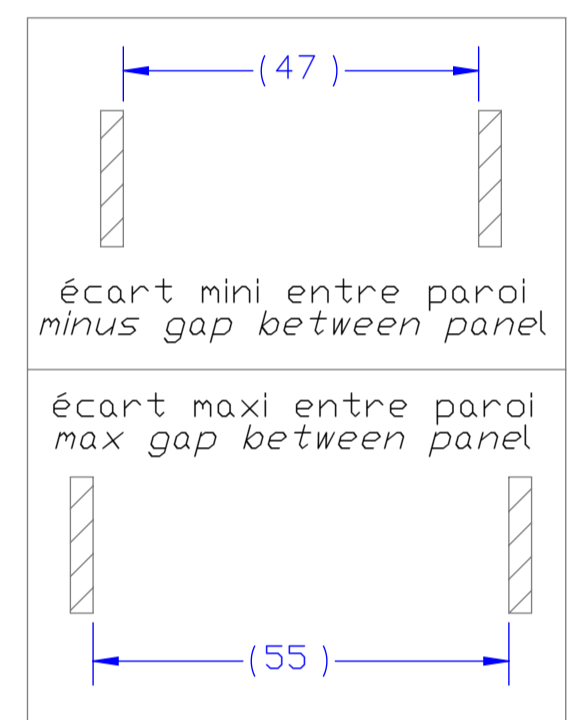
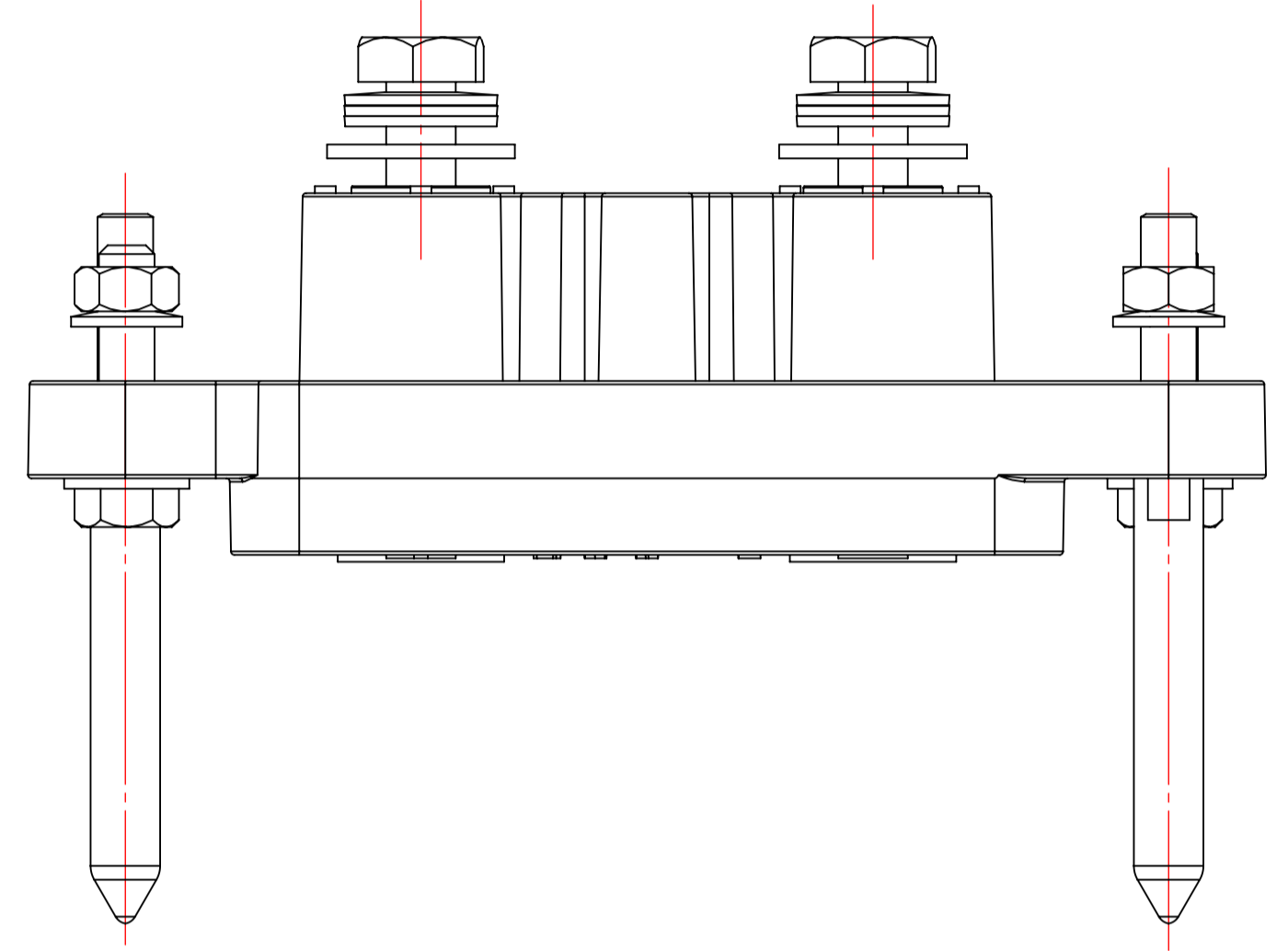


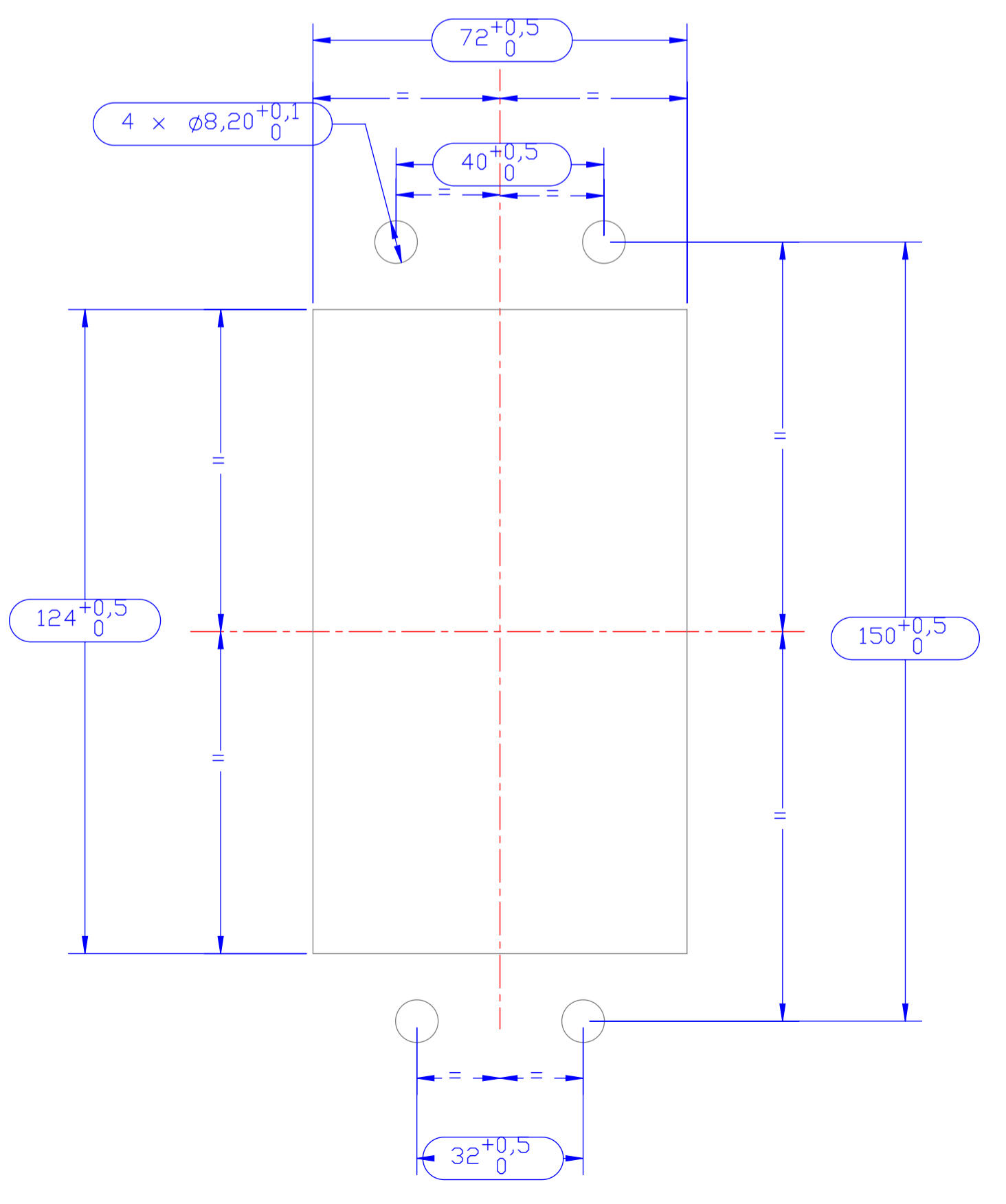
| Project NR | | REVISIONS | | | |
|------------|-----|---|-----------|-----|------|
| P | LTR | DESCRIPTION | DATE | BY | APPR |
| B | | Modification rondelle 3L-10-I acier devient inox - Diffusion 295324 | 01SEP2008 | SCT | |
| C | | Remplacer rondelle 0436-0008-E-Z par 0436-0008-E-1 - Diffusion 295176 | 03MAR2009 | RD | |
| D | | Ajout item 12 + ajout nota 3 DM16-120 - Diffusion 331939 | 03OCT2016 | EL | MV |



- 1 () : cotes pour information / dimensions for information
- 2 () : cotes de controle / inspection dimensions
- 3 Instructions de mise en oeuvre à appliquer par le client
Customer instructions to be applied by the customer
- 4 Spécification de conditionnement 107-157002
Packaging Specification 107-157002
- 5 Dutil d'extraction des bouchons : OUTCCIEXT-V0100
Extraction tool for the caps : OUTCCIEXT-V0100



DECOUPE PARDI POUR PARTIE FIXE
 PANEL CUTTING FOR FIXED PART



| Observations/Remarks | Protection Plating | Fiche matière Data sheet | Matière Material | Masse (g) Weight (g) | Nbr Qty | Codification Part number | Désignation Designation | REP Item |
|----------------------|-----------------------------|--------------------------|------------------------|----------------------|---------|--------------------------|--|----------|
| - | - | - | Carton Carton | 18,9 | 1 | Y00000-0206-0341AS | Boîte 180x100x50 Box 180x100x50 | 12 |
| - | - | - | Inox Stainless steel | 7,74 | 2 | LU-10-I | Rondelle plate Plain washer | 11 |
| - | - | - | Inox Stainless steel | 1,31 | 2 | 3L-10-I | Rondelle Trep Trep washer | 10 |
| - | - | - | Inox Stainless steel | 27,84 | 2 | HM10x25-I | Vis H Screw H | 9 |
| - | - | - | - | 0,88 | 7 | S23613-0003 | Bouchon Cap | 8 |
| - | Argenture Silver plating | - | Cuivre Copper | 109,75 | 2 | S15847-0004 | S/E douille cal. 14 S/A socket caliber 14 | 7 |
| - | - | - | Inox Stainless steel | 2,56 | 2 | MU-08-I | Rondelle plate Plain washer | 6 |
| - | - | - | Inox Stainless steel | 5,53 | 4 | HM08-I | Ecrou HM8 Nut H | 5 |
| - | - | - | Inox Stainless steel | 1,80 | 4 | 0436-0008-E-1 | Rondelle contact Washer | 4 |
| - | - | - | Inox Stainless steel | 20,09 | 2 | HM08x35-I | Vis HM8 x 35 Screw HM8 x 35 | 3 |
| - | - | FMME 3032 | INDX Stainless | 52,66 | 2 | 23612-000A3 | Broche de guidage Centering pin | 2 |
| - | - | FTMP 446 | Polyamide Polyamide | 326,03 | 1 | 31345-000A1 | Bloc isolant Insulating block | 1 |

Référence commerciale / Commercial reference : CSR31346-0001-A0001

YE31346-0001-A0001
 PART NO

THIS DRAWING IS A CONTROLLED DOCUMENT.

DATE: 03OCT2016
 CHK: GLEMOINE
 APPR: M.VIMARD

TE TE Connectivity

PRODUCT SPEC: S/E connecteur rackable femelle partie fixe cal.14
 APPLICATION SPEC: S/A female rack connector fixed part cal.14

WEIGHT: 805.35 g
 SCALE: 1:1
 SHEET: 1 OF 1

CUSTOMER DRAWING