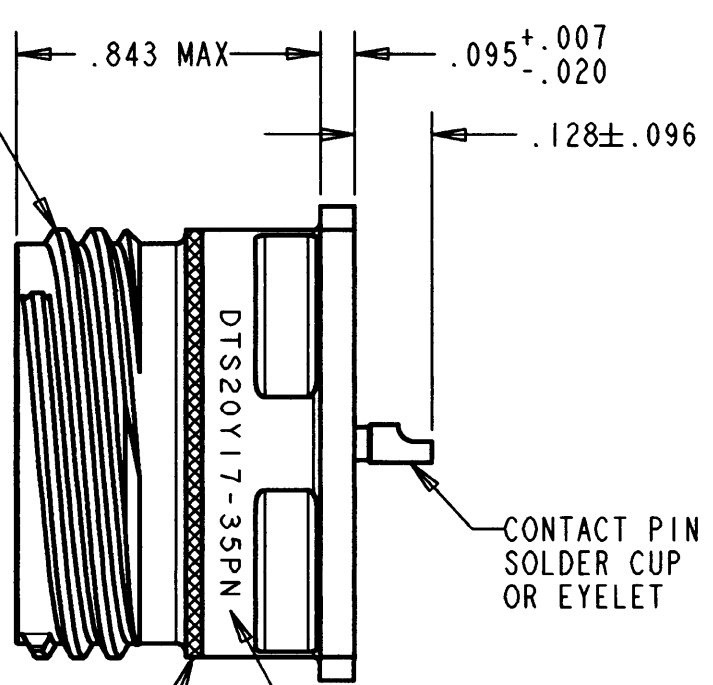
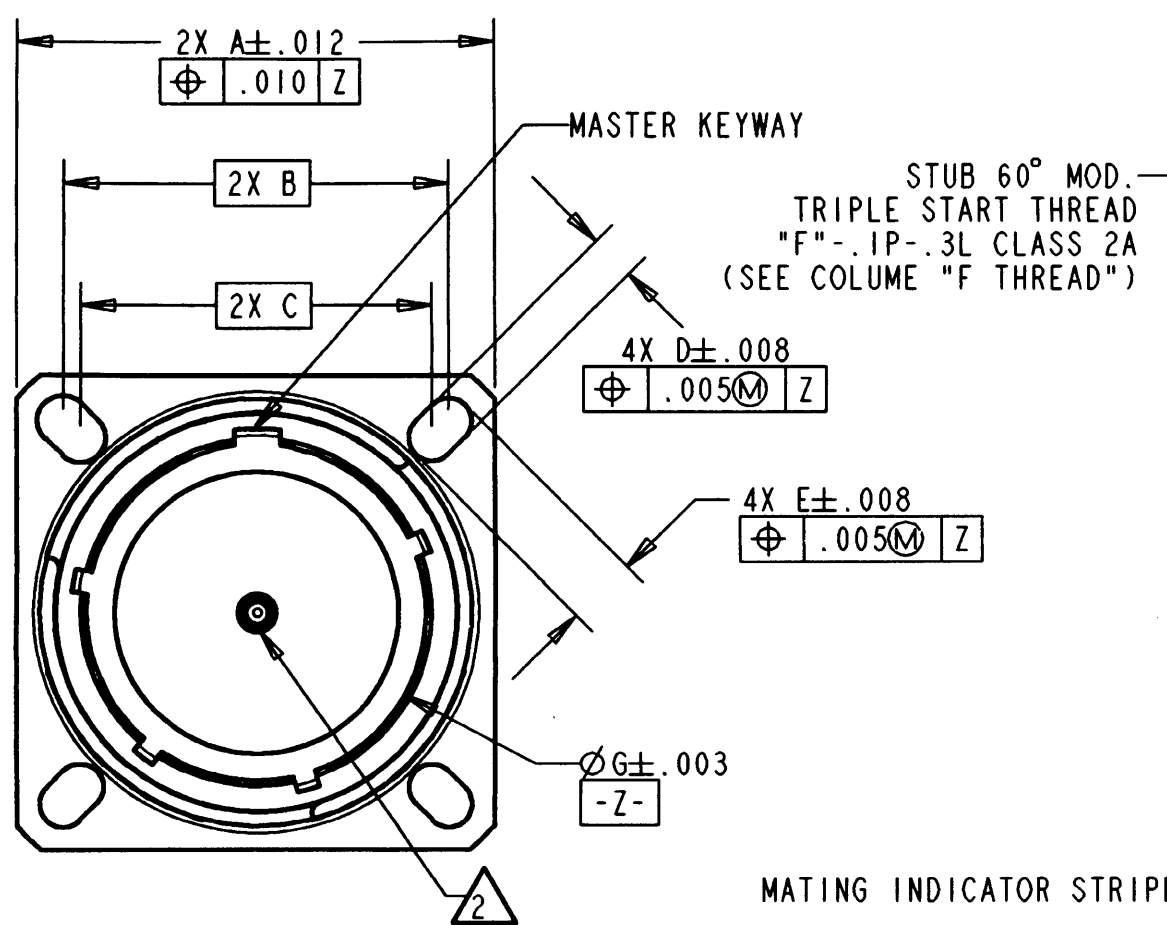


N/C DTS20XXX-XXPX

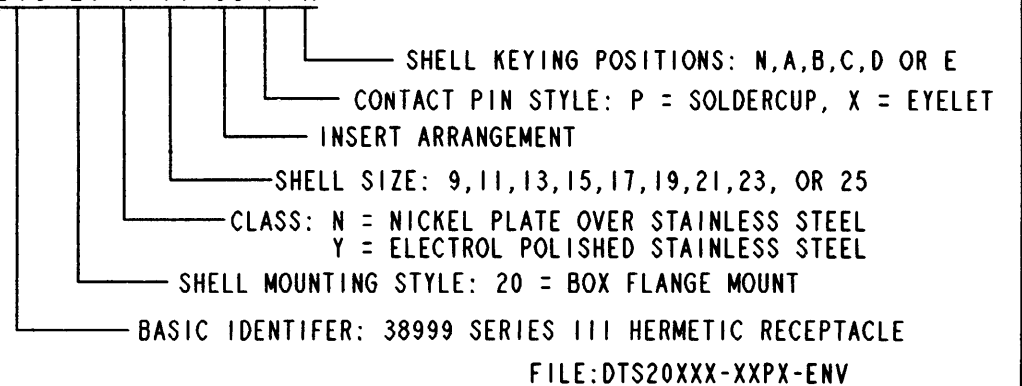
REVISIONS			
REV	DESCRIPTIONS	DATE	APPROVED
N/C	NEW RELEASE PER E.O. HI661	10/21/96	L. Hall



SHELL SIZE	A	B	C	D	E	F THREAD	G
9	.937	.719	.594	.128	.216	.6250	.444
11	1.032	.812	.719	.128	.194	.7500	.572
13	1.126	.906	.812	.128	.194	.8750	.684
15	1.221	.969	.906	.128	.173	1.0000	.808
17	1.311	1.062	.969	.128	.194	1.1875	.934
19	1.437	1.156	1.062	.128	.194	1.2500	1.039
21	1.563	1.250	1.156	.128	.194	1.3750	1.164
23	1.689	1.375	1.250	.154	.242	1.5000	1.289
25	1.811	1.500	1.375	.154	.242	1.6250	1.414

MATING INDICATOR STRIPE, COLOR RED

10. PART NUMBER BREAKDOWN: DTS 20 Y 17-35 P N



- DIMENSIONS ARE IN INCHES UNLESS OTHERWISE NOTED.
- INSERT ARRANGEMENT CONFORMS TO MIL-STD-1560.
- THE INSERT ARRANGEMENT DOSE NOT ROTATE WITH MASTER KEYWAY.
- FINISH: SHELL - ELECTRO-POLISH  
PIN CONTACTS - GOLD OVER NICKEL
- MATERIAL: SHELL - STAINLESS STEEL  
PIN CONTACTS - HIGH NICKEL IRON ALLOY OR EQUIVALENT  
GLASS - COMPRESSION GLASS  
PIN INSERT & INTERNAL SEAL - FLUROSILICONE ELASTOMER
- MATES WITH DTS26\*\*\*-\*\*S\* PLUG CONNECTOR.
- CONNECTOR MEETS REQUIREMENTS OF MIL-C-38999 SERIES III.
- CONSULT SALE STAFF FOR ARRANGEMENT AVAILABILITY.
- MOUNTING INFORMATION: DIMENSION "B" FRONT OR REAR PANEL MOUNT  
DIMENSION "C" FRONT PANEL MOUNT ONLY

NOTE:

	SIGNATURE & DATE
DR	S. LUI 10/21/96
CHK	L. Hall 10/21/96
PE	[Signature] 10/21/96
APPD	[Signature] 10/21/96
SCALE:	NONE

CONNECTOR, RECEPTACLE  
HERMETIC  
PIN UNIT  
BOX FLANGE MOUNT  
THREAD COUPLING  
MIL-C-38999 SERIES III  
ENVELOPE

CP	MATL CODE 72
<b>DEUTSCH</b> HERMETIC PRODUCTS OPERATION 680 Airport Road Oceanside, CA 92054	
<b>B</b>	DTS20XXX-XXPX
DWG SIZE	CAGE CODE 11139 SHEET 1 OF 1