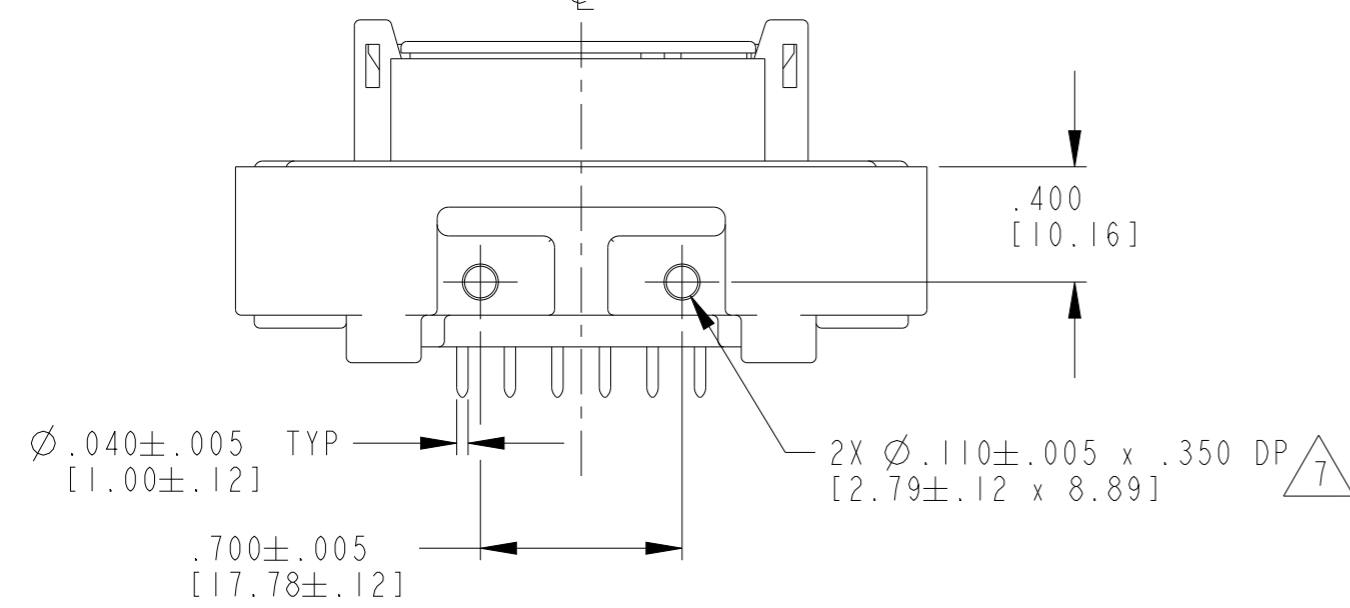
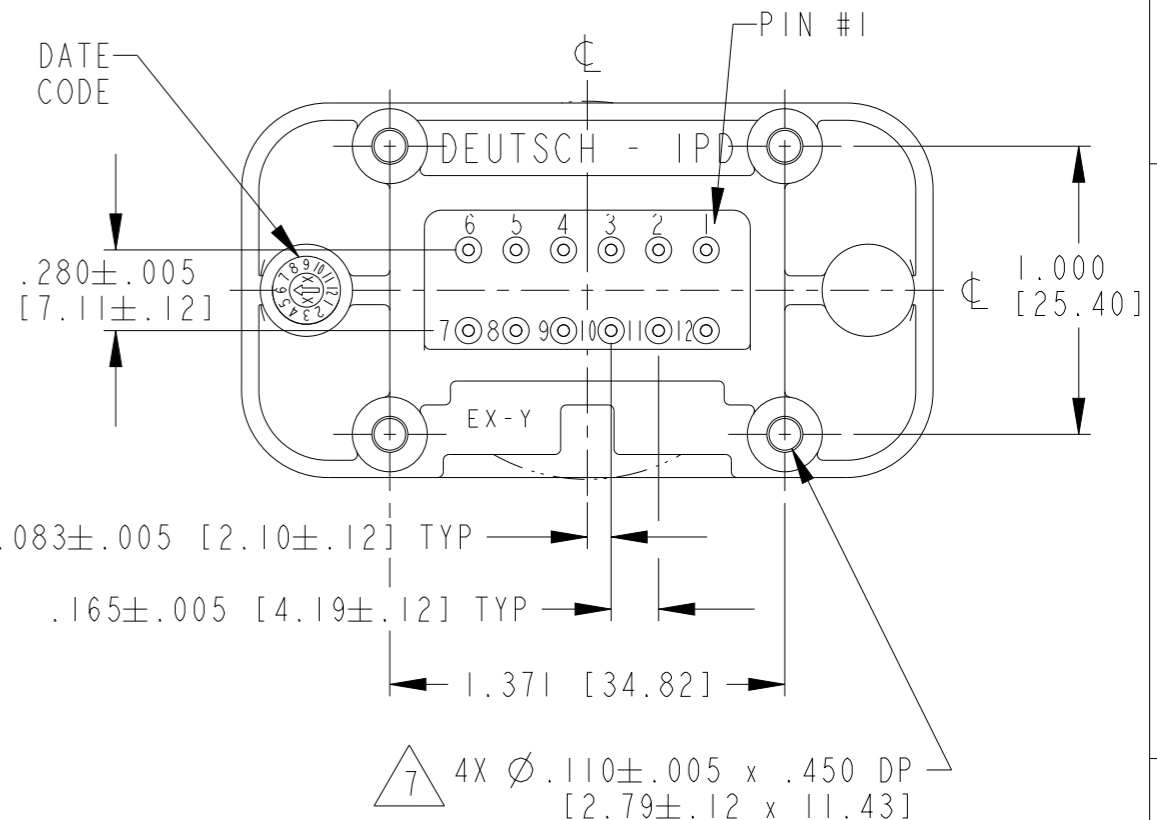
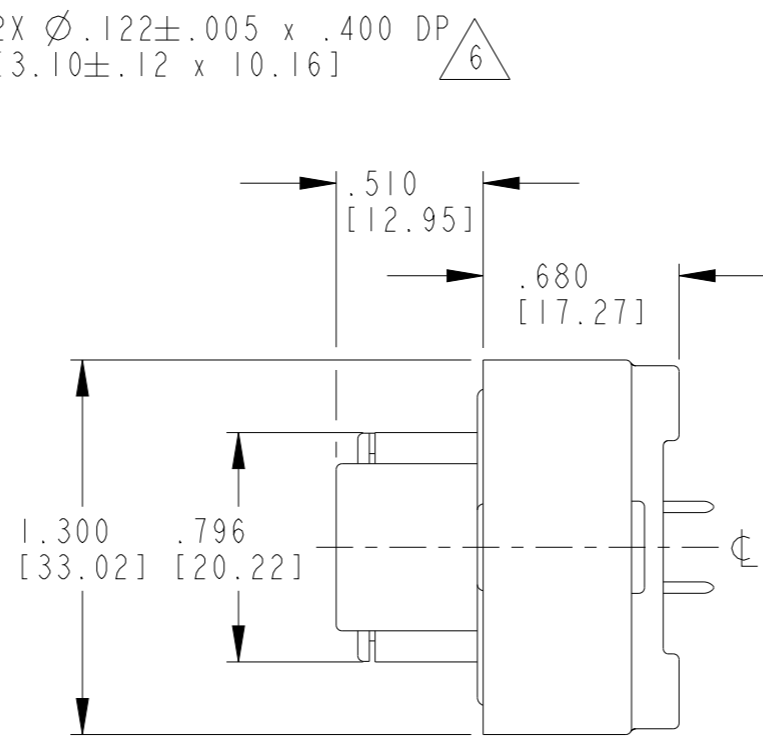
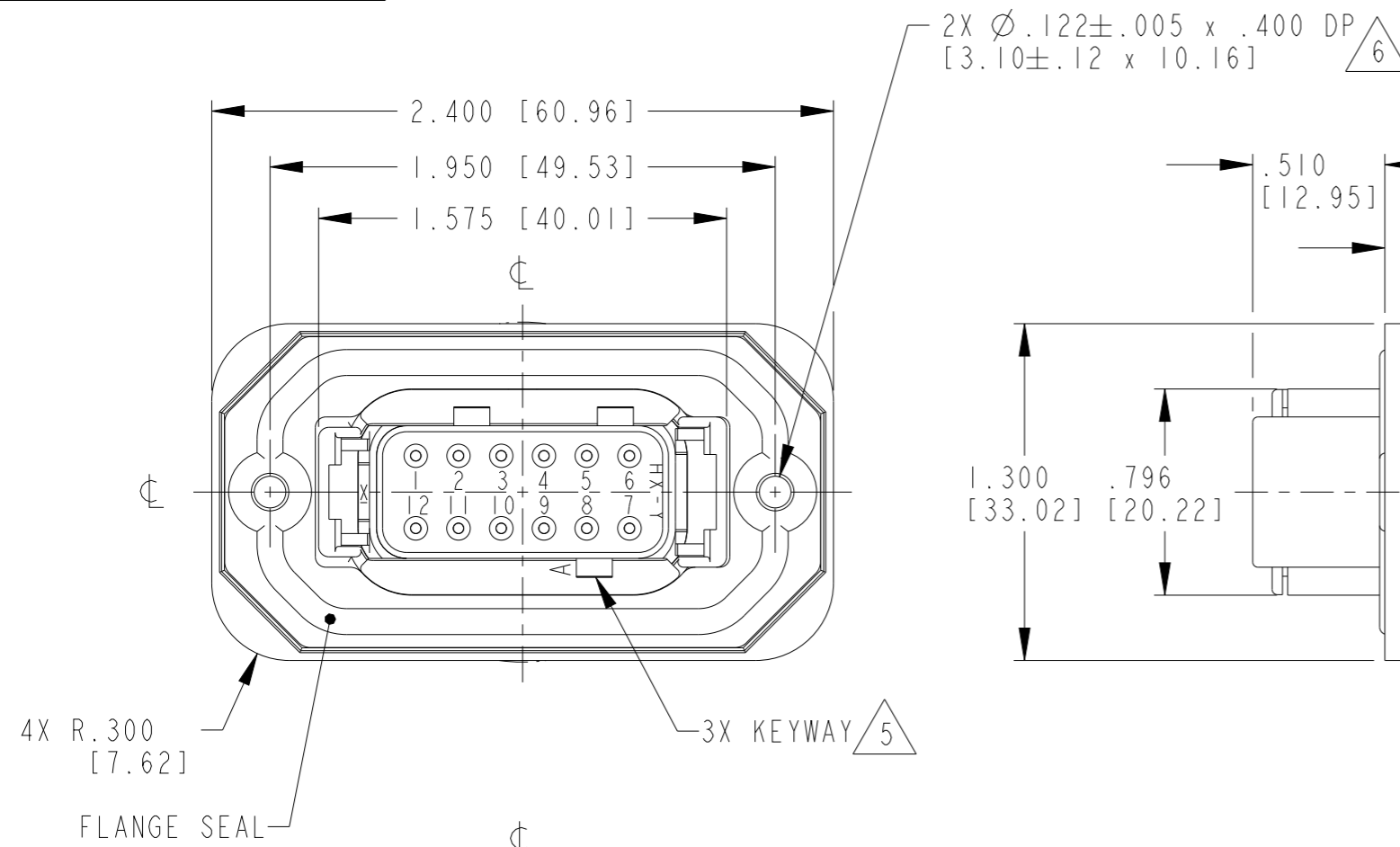


P	LTR	DESCRIPTION	DATE	DWN	APVD
	B1	ECR-21-108593	05AUG2021	DRK	IG



- 8 SURFACE FINISH: 32 RMS OR BETTER; \square .005 [.12].
- 7 RECOMMENDED SCREW: 4-20 [M3.12 x 1.27] THREAD-FORMING SCREW. TORQUE: 6-10 IN-LB [.68-1.13 NM].
- 6 RECOMMENDED SCREW: 6-19 [M3.63 x 1.34] THREAD-FORMING SCREW. TORQUE: 10-20 IN-LB [1.13-2.25 NM].
- 5 SEE SHEET 2 FOR OTHER KEY ARRANGEMENTS.

4. THIS RECEPTACLE MATES WITH DTM06-12S*-**** PLUG (*=A,B,C,D KEYS; ****=ALL MODIFICATIONS).

3. CONTACT PLATING - MATING SIDE: NICKEL; PCB SIDE: TIN

2 MATERIAL - HOUSING & PA46 GF30; GRAY
SLEEVE RETAINER PA46 GF10 (SEE SHEET 2 FOR COLORS)
SEALS: VMQ (RED-ORANGE)
PINS: COPPER ALLOY

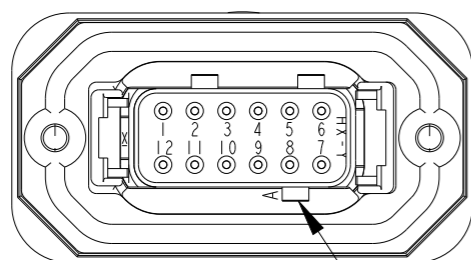
1. PANEL CUTOUT: ±.010 [.25].

NOTES:

THIS DRAWING IS A CONTROLLED DOCUMENT.		DWN	24APR2002		STE TE Connectivity		
		CHK	R MESSENGER 21FEB2007				
		APVD	D MEYER 21FEB2007				
		PRODUCT SPEC					
DIMENSIONS: INCHES [mm]		TOLERANCES UNLESS OTHERWISE SPECIFIED: ±.025 [.64mm]		NAME			
		APPLICATION SPEC		RECEPTACLE 12 #20 SIZE CONTACTS KEY ARRANGEMENTS A, B, C AND D 180 DEG, DTM SERIES			
		WEIGHT		SIZE	CAGE CODE	DRAWING NO	RESTRICTED TO
MATERIAL		CUSTOMER DRAWING		A3	11139	DTM15-12PX	-
2		SCALE		3:2	SHEET	1 OF 2	REV
							B1

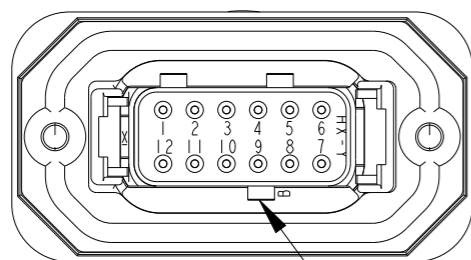
P	LTR	DESCRIPTION	DATE	DWN	APVD
-	-	SEE SHEET 1	-	-	-

DTM15-12PA
KEY: -A-



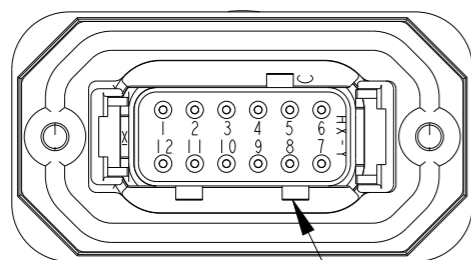
3X KEYWAY
SLEEVE RETAINER: GRAY

DTM15-12PB
KEY: -B-



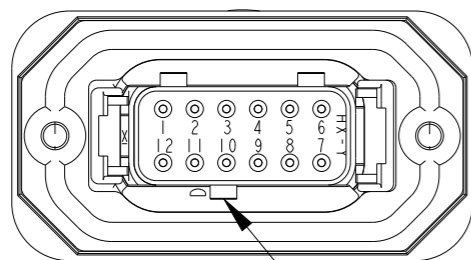
3X KEYWAY
SLEEVE RETAINER: BLACK

DTM15-12PC
KEY: -C-

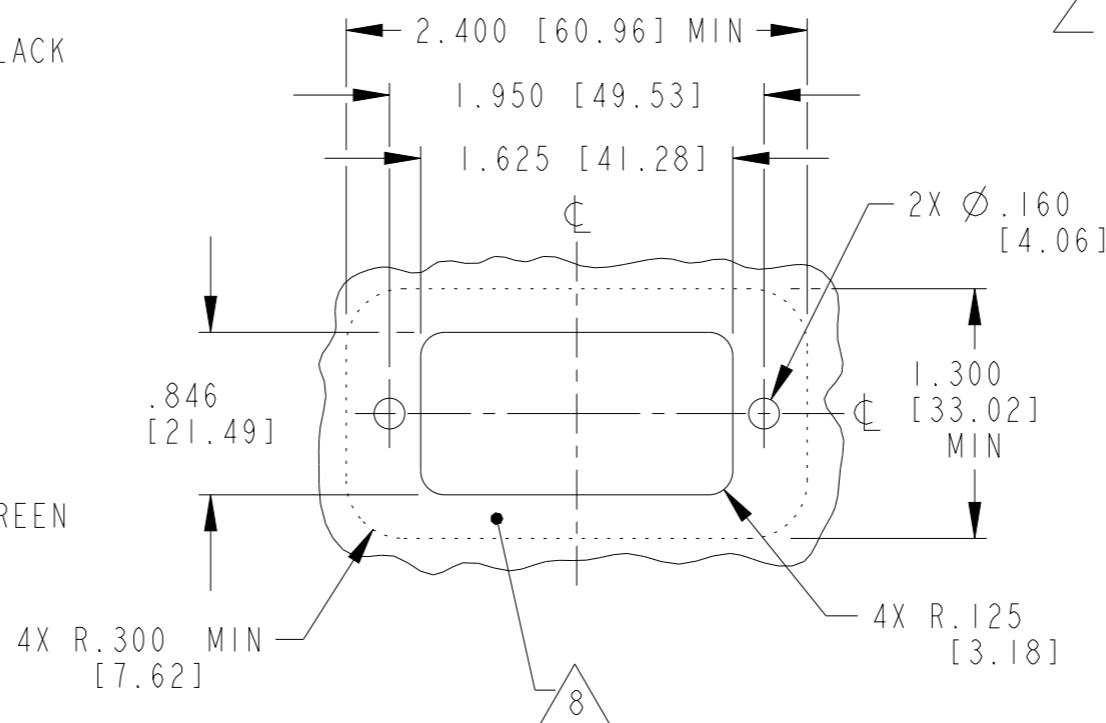
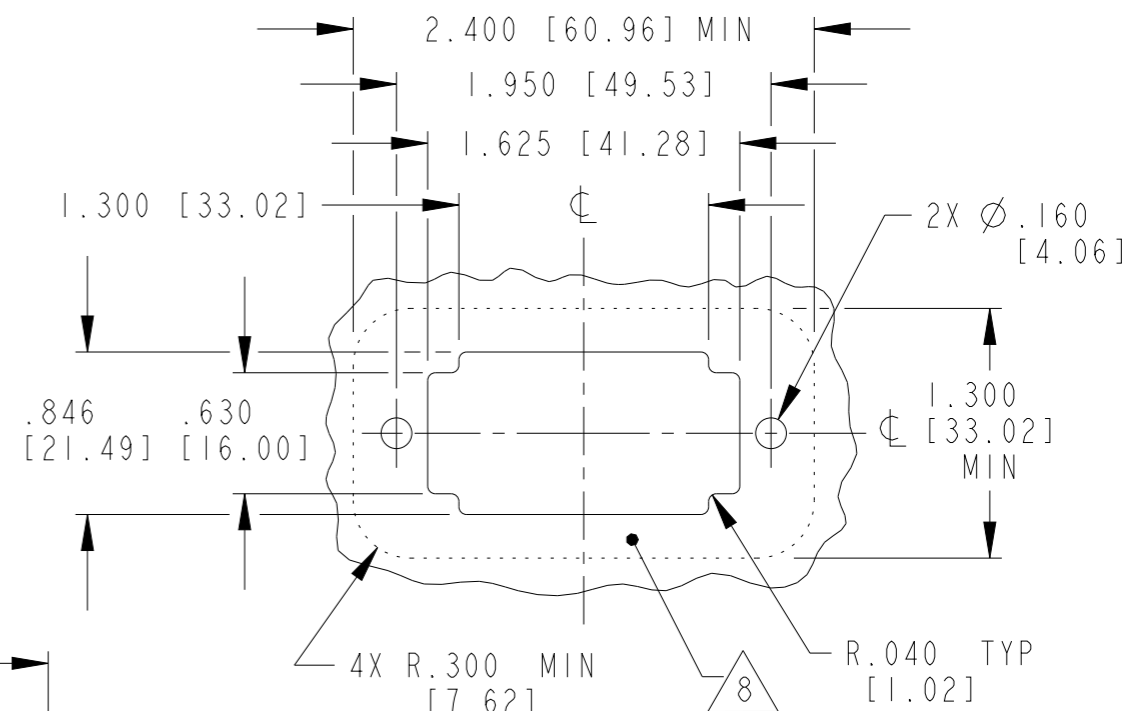


3X KEYWAY
SLEEVE RETAINER: GREEN

DTM15-12PD
KEY: -D-



3X KEYWAY
SLEEVE RETAINER: BROWN



RECOMMENDED PANEL CUTOUT

THIS DRAWING IS A CONTROLLED DOCUMENT.

DIMENSIONS: INCHES [mm]	TOLERANCES UNLESS OTHERWISE SPECIFIED: ±.025 [0.64mm]
	0 PLC ±-
	1 PLC ±-
	2 PLC ±-
	3 PLC ±-
	4 PLC ±-
	ANGLES ±
MATERIAL 	FINISH -

DWN	D MEYER	24APR2002
CHK	R MESSENGER	21FEB2007
APVD	D MEYER	21FEB2007
PRODUCT SPEC	-	-
APPLICATION SPEC	-	-
WEIGHT	-	-
CUSTOMER DRAWING	-	-



NAME RECEPTACLE 12 #20 SIZE CONTACTS KEY ARRANGEMENTS A, B, C AND D 180 DEG, DTM SERIES			
SIZE A3	CAGE CODE 111139	DRAWING NO DTM15-12PX	RESTRICTED TO -
SCALE 3:2	SHEET 2 OF 2	REV B1	-