

REV  
A DTM04-12P\*-EE04

REVISIONS			
SYM	DESCRIPTION	DATE	APPROVED
NC	NEW RELEASE PER E.O. PI9500	8/22/07	R.D.R.
A	REVISED PER E.O. PI9776	4-7-08	RDR

- 8. SEE SHEET 2 FOR OTHER KEY ARRANGEMENTS.
  - 7. PART MODIFICATION: RECEPTACLE IS RATE AT 150°C (COLOR: BLACK).
  - 6. MATERIAL - HOUSING/RETAINER: PLASTIC; GROMMET: RUBBER.
  - 5. CONNECTOR DESIGNED TO BE USED WITH DTM06-12S\*-\*\*\*\* PLUGS. (\* ) = A,B,C,D KEYS, (\*\*\*\*) = ALL HIGH TEMPERATURE MODIFICATIONS. CONSULT FACTORY FOR MODIFICATIONS.
  - 4. FOR CONTACT AND WIRE PERFORMANCE AND APPLICATION CHARACTERISTICS SEE ENVELOPE DRAWING 0425-015-0000.
  - 3. SECONDARY WEDGE LOCK SOLD SEPARATELY: WM-12P.
  - 2. DIMENSION TOLERANCE: ±.025 [ .64].
  - 1. DIMENSIONS ARE IN INCHES [mm].
- NOTES: UNLESS OTHERWISE SPECIFIED

CONTACT SIZE	MIN. INSUL. O.D.	MAX. INSUL. O.D.	WIRE RANGE [mm <sup>2</sup> ] REF ONLY
20	.053 [1.35]	.120 [3.05]	16-20 AWG [1.0-0.5]

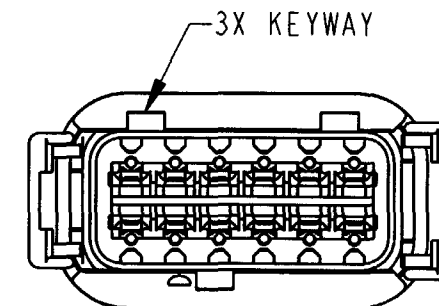
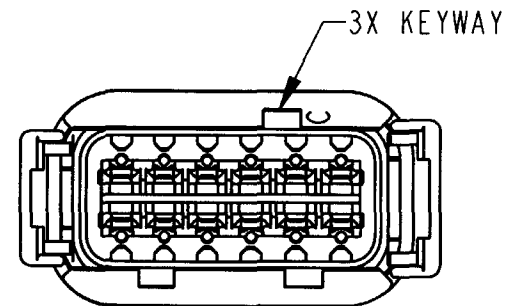
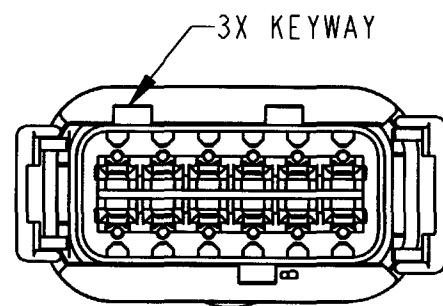
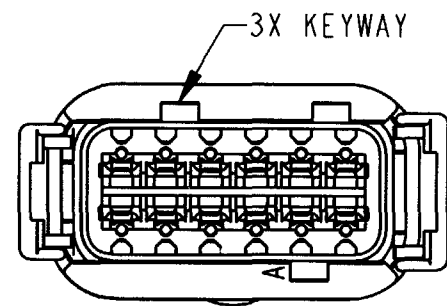
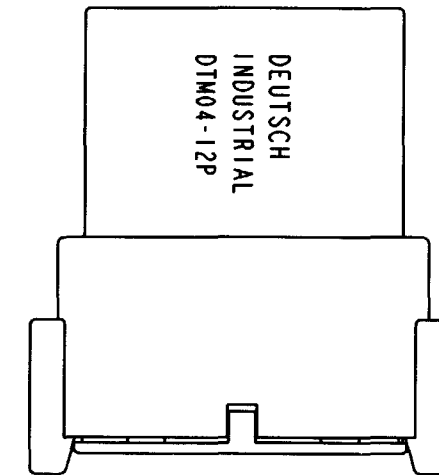
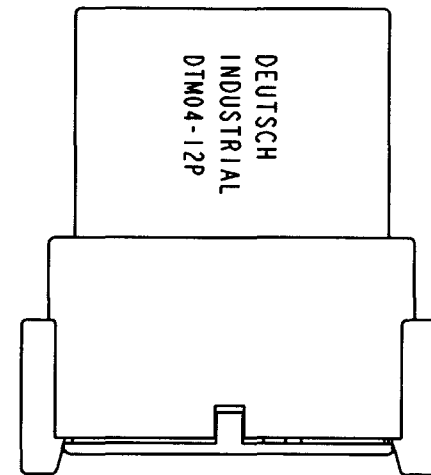
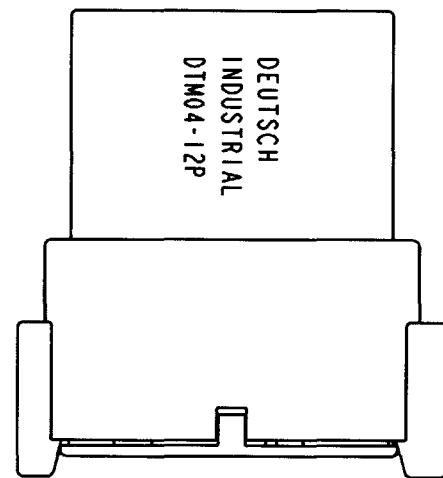
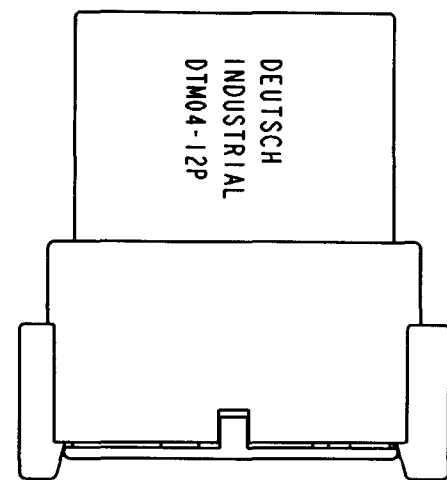
SIGNATURE & DATE	
DR	D. MEYER 04/27/07
CHK	<i>[Signature]</i> 4/10/08
PE	<i>[Signature]</i> 4/7/08
APPD	<i>[Signature]</i> 4/7/08
SCALE	NONE [1:1]

RECEPTACLE  
12 CONTACTS, SIZE 20  
A,B,C,D KEYS  
-EE04 MOD  
DTM SERIES

ENVELOPE

EP 172	MATL. CODE
3850 INDUSTRIAL AVE. HEMET, CA 92545	
<b>DEUTSCH</b> INDUSTRIAL	
<b>B DTM04-12P*-EE04</b>	
DWG SIZE	SHEET 1 OF 2

REV	REVISIONS			
A	SYM	DESCRIPTION	DATE	APPROVED
	A	SEE SHEET 1	4-7-08	ADR



DTM04-12PA-EE04  
KEY -A-  
COLOR: BLACK

DTM04-12PB-EE04  
KEY -B-  
COLOR: BLACK

DTM04-12PC-EE04  
KEY -C-  
COLOR: BLACK

DTM04-12PD-EE04  
KEY -D-  
COLOR: BLACK

NOTES:

SIGNATURE & DATE	
DR	D. MEYER 04/27/07
CHK	<i>[Signature]</i> 4/16/08
PE	<i>[Signature]</i> 4/13/08
APPD	<i>[Signature]</i> 4/16/08
SCALE	NONE

RECEPTACLE  
12 CONTACTS, SIZE 20  
A, B, C, D KEYS  
-EE04 MOD  
DTM SERIES

ENVELOPE

EP 172	MATL. CODE
3850 INDUSTRIAL AVE. HEMET, CA 92545	
DEUTSCH INDUSTRIAL	
<b>B</b> DTM04-12P*-EE04	
DWG SIZE	SHEET 2 OF 2