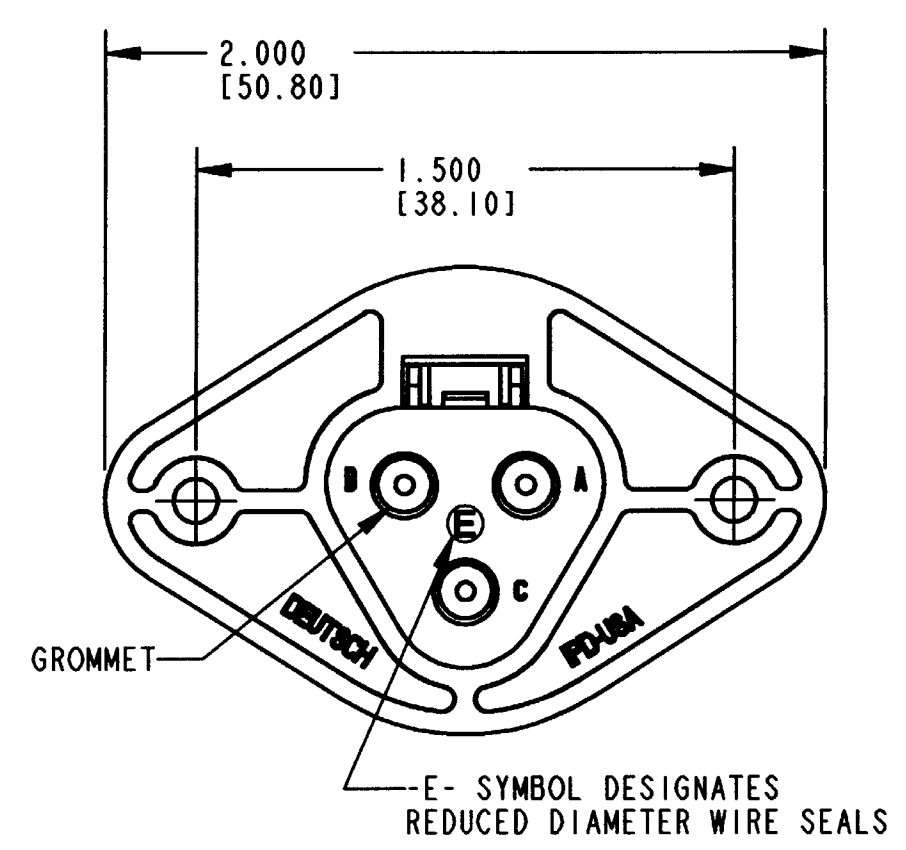
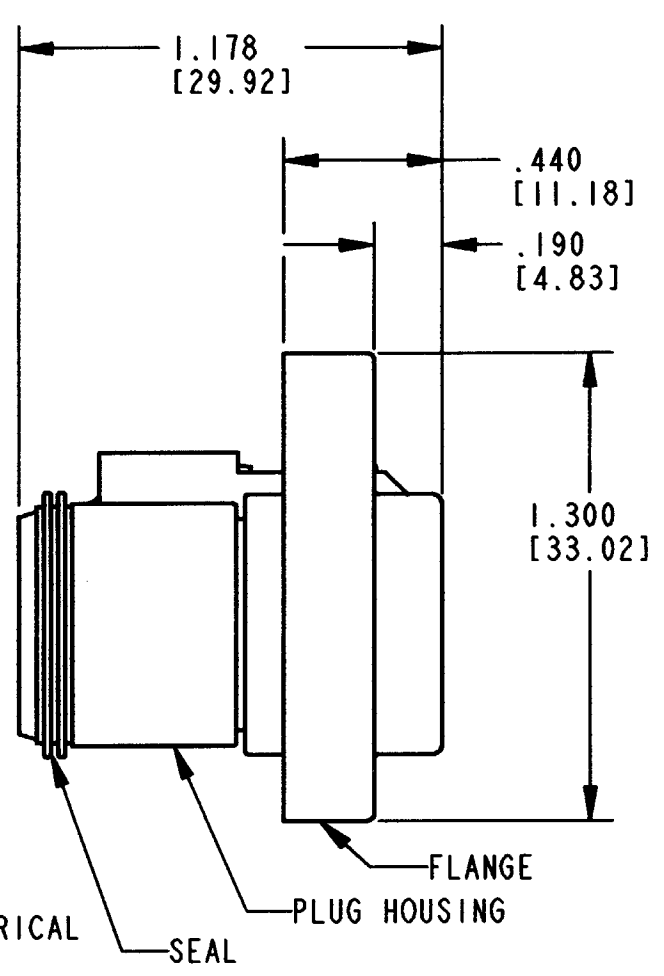


REV
NC DT06-3S-CL08

REVISIONS			
SYM	DESCRIPTION	DATE	APPROVED
NC	NEW RELEASE PER E.O. P18573	6-16-04	RDR



CONTACT SIZE	MIN. INSUL. O.D.	MAX. INSUL. O.D.	WIRE RANGE [mm ²] Δ
16	.053 [1.35]	.120 [3.05]	14-20 AWG [2.0-0.5]

- 6. MATERIAL: SHELL: PLASTIC; COLOR: BLACK
SEAL: RUBBER
- 5. THIS PLUG MATES WITH THE DT04-3P-**** RECEPTACLE (**** = ALL MODIFICATIONS). CONSULT FACTORY FOR MODIFICATIONS.

Δ 4. FOR CONTACTS AND WIRE PERFORMANCE AND APPLICATION CHARACTERISTICS SEE ENVELOPE DRAWING 0425-015-0000 AND 0425-017-0000.

- 3. WEDGE LOCK W3S-P012 SOLD SEPARATELY.
- 2. ALL DIMENSIONS ARE \pm .025 [0.64] UNLESS OTHERWISE SPECIFIED.

NOTES: 1. ALL DIMENSIONS ARE IN INCHES [MILLIMETERS].

SIGNATURE & DATE	
DR	X. SANCHEZ 11MAY04
CHK	<i>[Signature]</i> 6/15/04
PE	<i>[Signature]</i>
APPD	R. Reed 6-16-04
SCALE	NONE
WT	

3 WAY PLUG WITH FLANGE DISABLED LATCH -CL08 MOD. D.T. SERIES

ENVELOPE

CP	MATL. CODE
The Deutsch Company DEUTSCH I.P.D. 3850 INDUSTRIAL AVE. HEMET, CALIF. 92545	
B	DT06-3S-CL08
DWG SIZE	CODE 11139 SHEET 1 OF 1