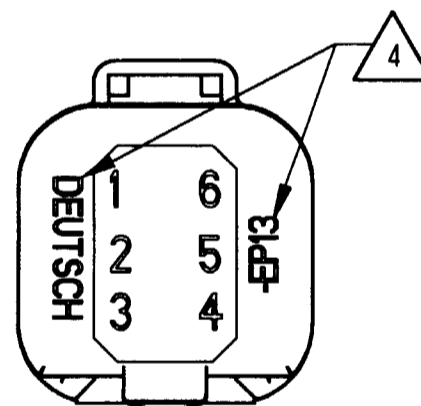
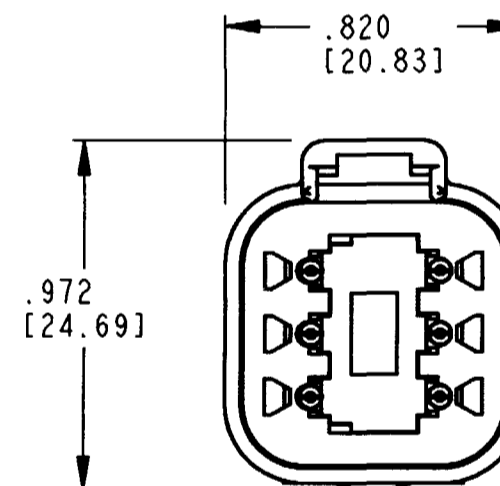
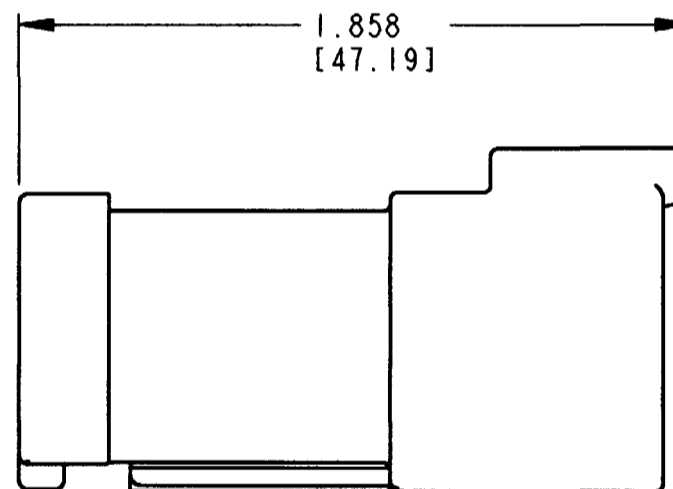
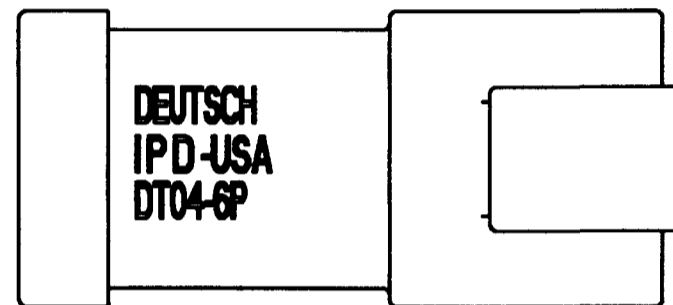


3D VIEW



- 5. THE 6 PIN BUSBAR HAS A MAXIMUM CURRENT RATING OF 39 AMPS.
- 4. ORIENTATION OF "DEUTSCH" AND "-EP13" TO BE OPTIONAL.
- 3. THIS DT04-6P-EP13 MATES WITH DT06-6S-**** (**** = ALL MODIFICATIONS). CONSULT FACTORY FOR MODIFICATIONS.
- 2. DIMENSIONS ARE $\pm .025$ [0.63] UNLESS OTHERWISE SPECIFIED.
- 1. DIMENSIONS ARE IN INCHES [MILLIMETERS].

NOTES:

REV	DT04-6P-EP13
B	

REVISIONS			
SYM	DESCRIPTION	DATE	APPROVED
NC	NEW RELEASE PER E.O. P15924	4/26/99	RDR
A	REVISION PER E.O. P16180	7/26/99	J.E.N.
B	REVISION PER E.O. P16266	9/2/99	(Signature)

SIGNATURE & DATE	
DR	M. GONZALEZ 8/20/99
CHK	(Signature) 9/2/99
PE	(Signature) 9/7/99
APPD	(Signature) 9/2/99
SCALE	NONE WT

DT 6 WAY RECEPTACLE
6 PIN BUSBAR-NICKEL PLATED
COLOR: BLACK

ENVELOPE

CP	MATL. CODE
The Deutsch Company DEUTSCH I.P.D. 3850 INDUSTRIAL AVE. HEMET, CALIF. 92545	
B	DT04-6P-EP13
DWG SIZE	CODE 11139 SHEET OF