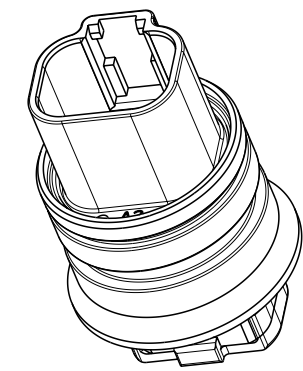
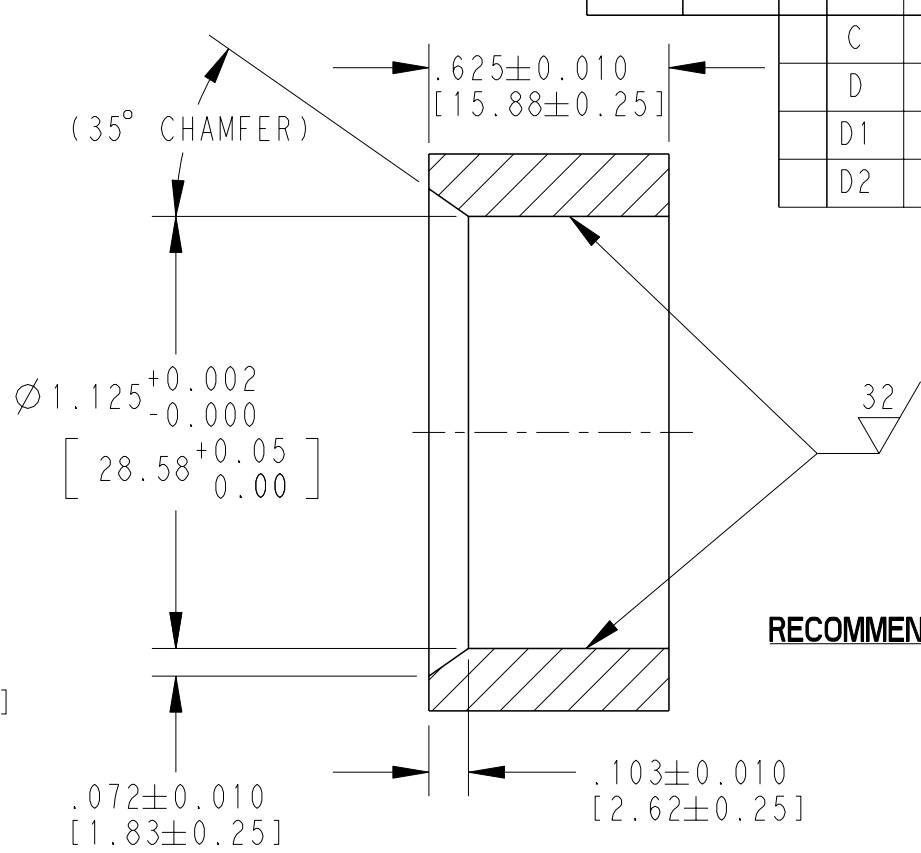
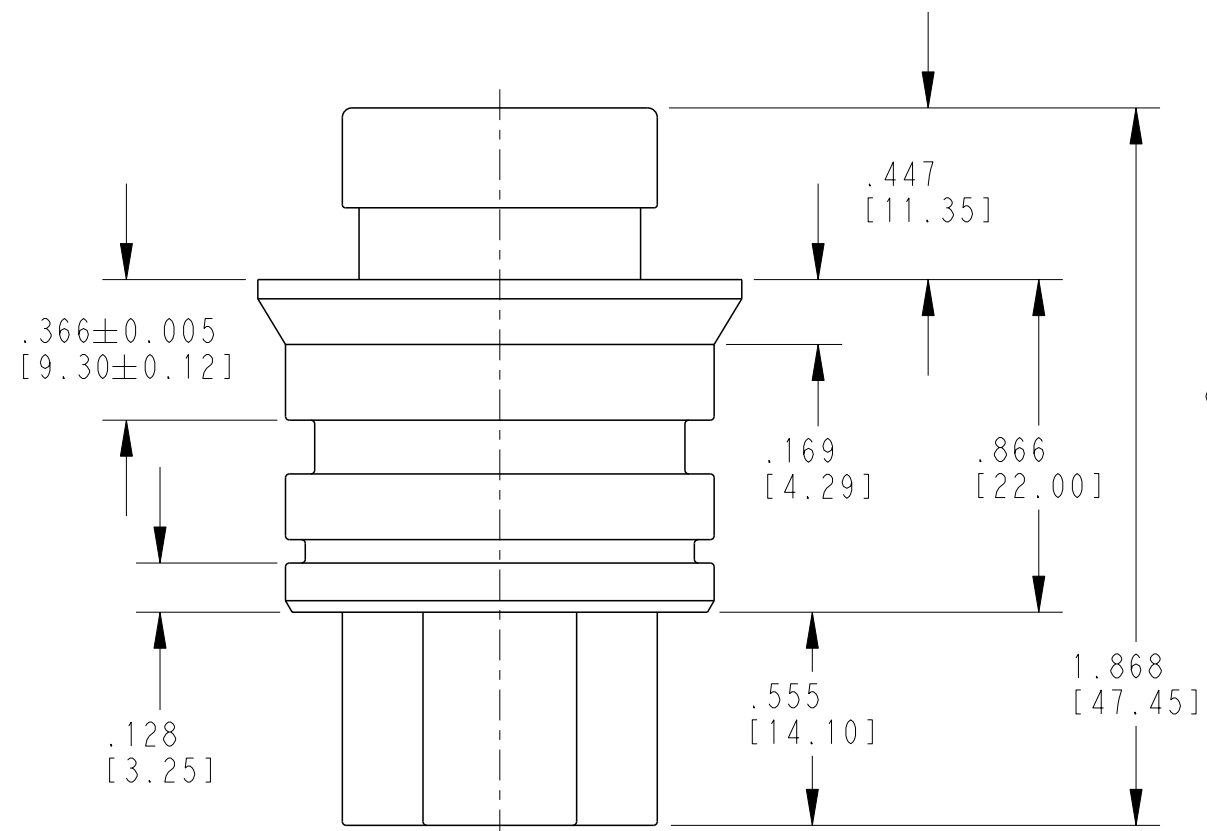
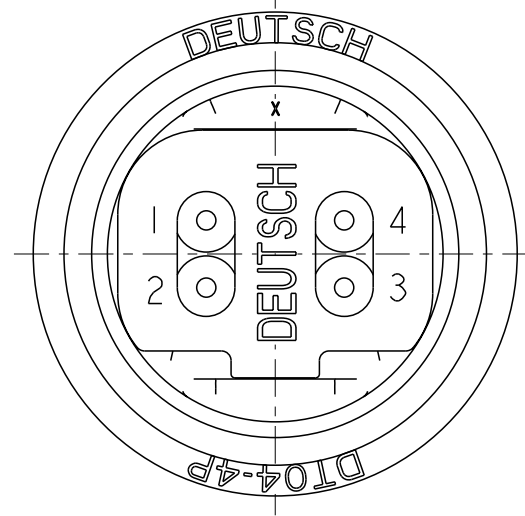
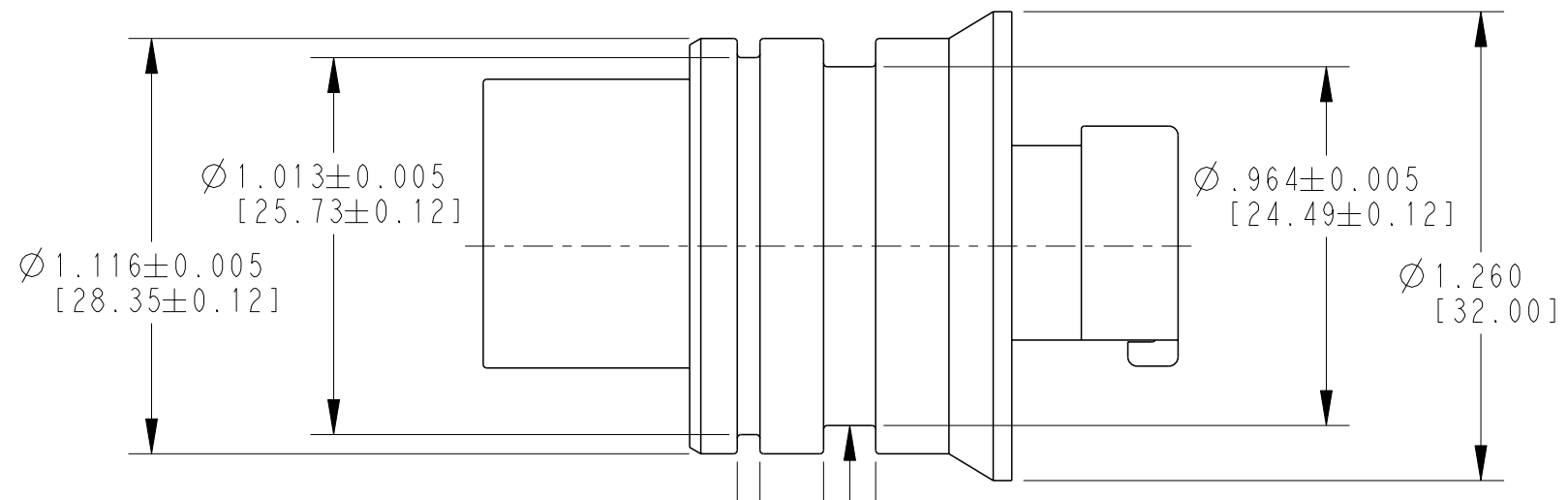
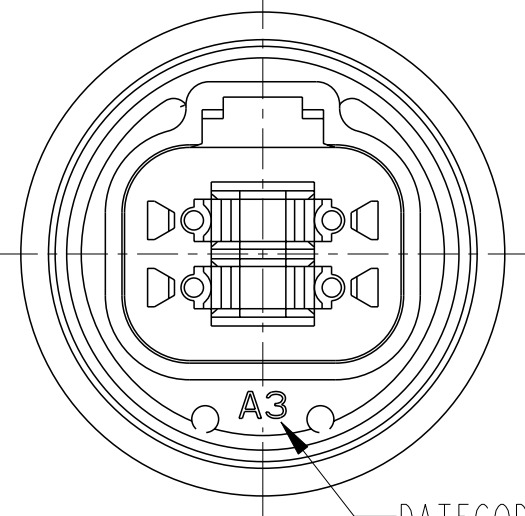


THIS DRAWING IS UNPUBLISHED  
 RELEASED FOR PUBLICATION  
 2014  
 © COPYRIGHT 2006 BY TE CONNECTIVITY ALL RIGHTS RESERVED.

LOC	DIST	REVISIONS			
P	LTR	DESCRIPTION	DATE	DWN	APVD
	C	REVISED PER E.O. P19229	31MAY2006	AM	RDR
	D	REDESIGNED PER E.O. P18661	08AUG2006	TY	SB
	D1	REVISED PER ECR-15-001226	26JAN2015	JA	DM
	D2	REVISED PER PCN-23-185190	24AUG2023	AJ	IG



RECOMMENDED MOUNTING HOLE



TE INTERNAL PN	DEUTSCH PN
DT04-4P-LE13	DT04-4P-LE13

CONTACT SIZE	MIN. INSUL O.D.	MAX. INSUL O.D.	WIRE RANGE [mm <sup>2</sup> ] REF ONLY
16	.088 [2.23]	.145 [3.68]	14-20 AWG [2.00-0.50]

- 3 MATERIAL: SHELL: NYLON 6/6 15% GF; SEAL: SILICONE.
2. THIS RECEPTACLE MATES WITH DT06-4S-XXXX (XXXX = ALL MODIFICATIONS). CONSULT FACTORY FOR MODIFICATIONS.
1. FOR CONTACTS AND WIRE PERFORMANCE AND APPLICATION CHARACTERISTICS SEE ENVELOPE DRAWING 0425-015-0000 AND 0425-017-0000.

NOTES: UNLESS OTHERWISE SPECIFIED

THIS DRAWING IS A CONTROLLED DOCUMENT.		DWN 09MAR1999 S. THEIS	TE Connectivity	
DIMENSIONS: INCHES [mm]		CHK 16JAN2004 JAIME C. APOSTOL		
TOLERANCES UNLESS OTHERWISE SPECIFIED:		APVD 16JAN2004 STEVE BEARD	NAME 4 WAY RECEPTACLE WITH O-RING ADAPTER COLOR: BLACK DT SERIES	
0 PLC ± 1 PLC ± 2 PLC ± 3 PLC ±.025 [0.64] 4 PLC ± ANGLES ±0°30'0"		PRODUCT SPEC 0425-015-0000	SIZE A3	CAGE CODE 4AFU8
MATERIAL 3		FINISH N/A	DRAWING NO DT04-4P-LE13	RESTRICTED TO -
		APPL. SPEC 0425-017-0000	WEIGHT 15.71g	SCALE 2:1
		Customer Drawing	SHEET 1 OF 1	REV D2

printed on 5 Sep 2023 14:58 (Eastern Standard Time) from TE354946