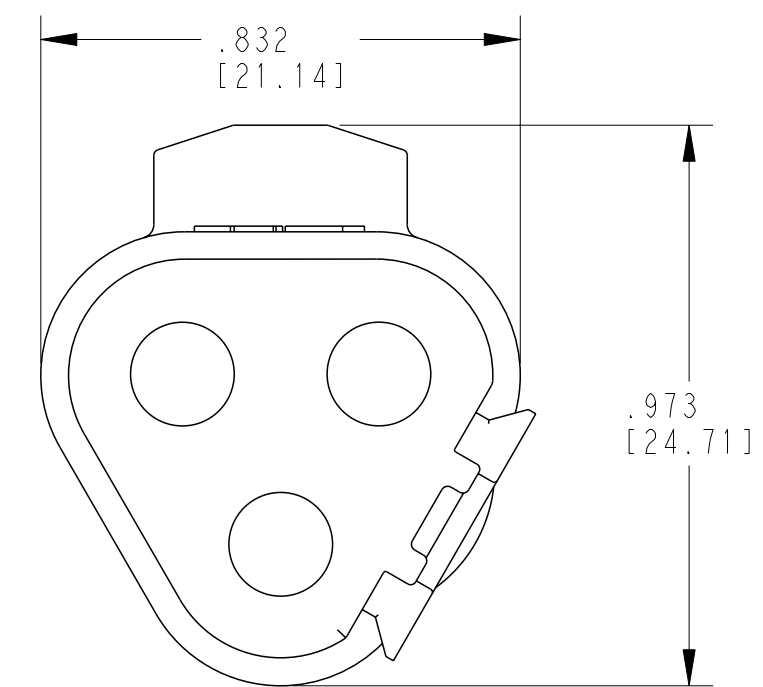
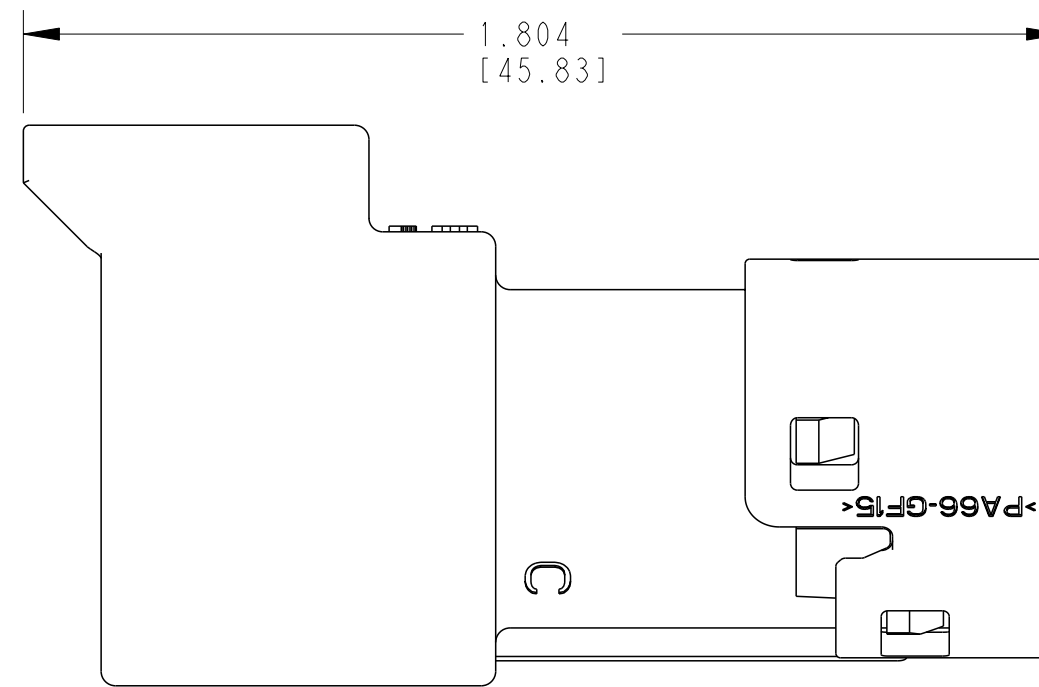
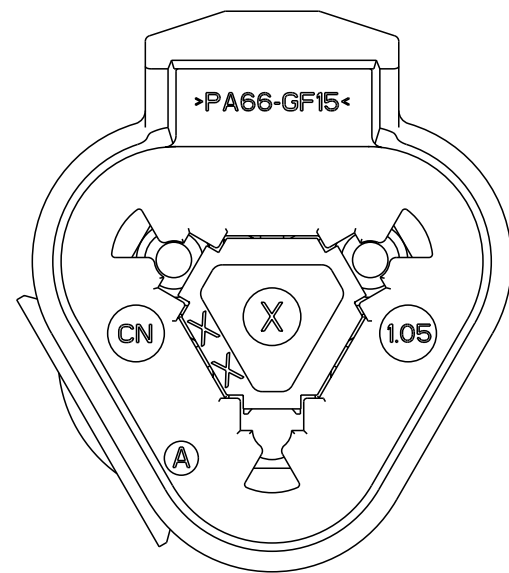
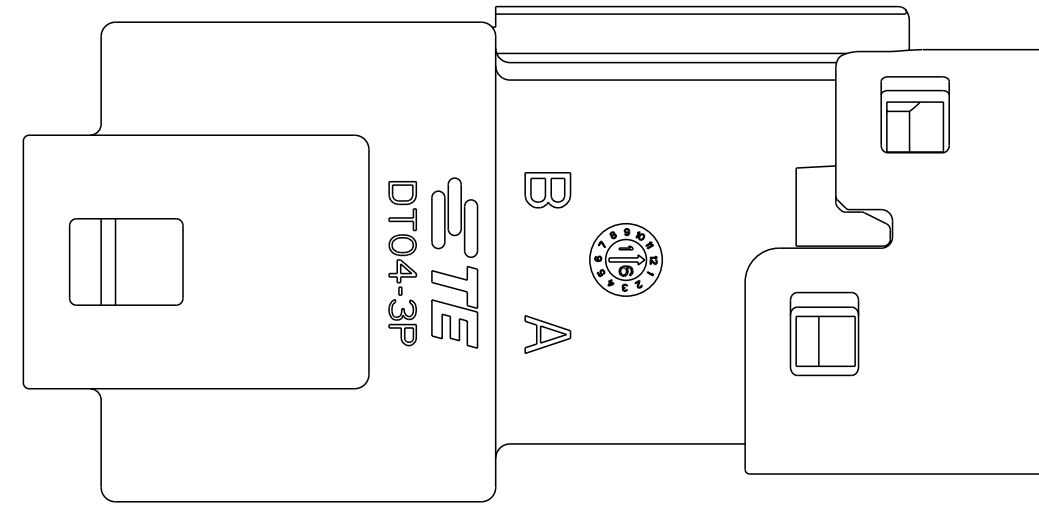
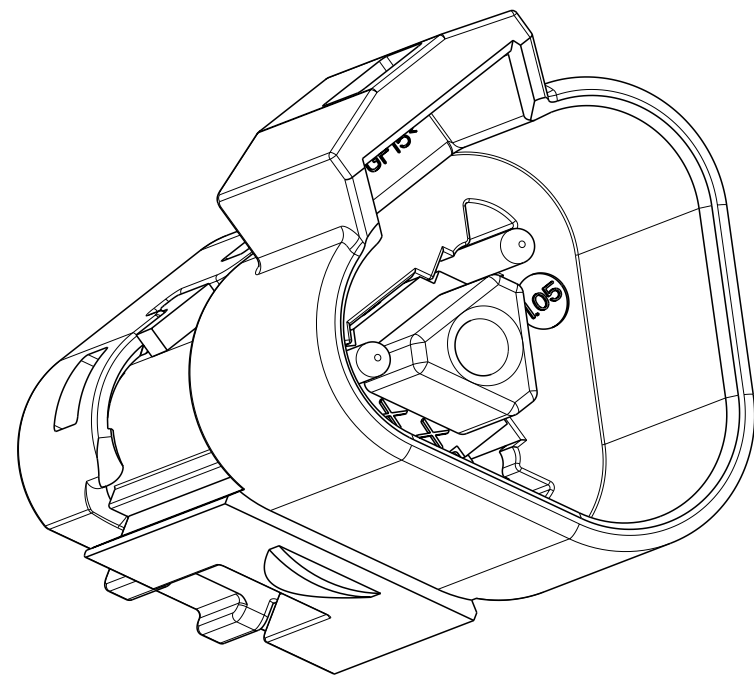


REVISIONS				
P	LTR	DESCRIPTION	DATE	APVD
B		REVISED PER PCN-23-192205	19APR2024	PS CB
K		REVISED PER PCN-24-210155	09SEP2024	AJ CB



6 MADE IN; CHINA = CN, MEXICO = MX, INDIA = IN.

5 120 Ω RESISTOR IS INSERTED INTO CAVITIES A AND B RESISTOR CHARACTERISTICS: 120Ω ±10%, .4 WATTS MINIMUM.

4 MATERIAL: HOUSING/CAP: PA66 GF15, (GRAY)
 CAP: PA66 GF15, (BLACK)
 GROMMET: VMQ (RED-ORANGE)
 FRONT SEAL: VMQ (RED-ORANGE)
 WEDGE LOCK: PBT GF30 (BLUE)
 PIN TERMINALS: COPPER ALLOY; GOLD PLATED

3. THIS RECEPTACLE MATES WITH THE DT06-3S-XXXX PLUG (XXXX = J1939 ALL MODIFICATIONS). CONSULT FACTORY FOR MODIFICATIONS.

2. FOR CONTACTS AND WIRE PERFORMANCE AND APPLICATION CHARACTERISTICS SEE ENVELOPE DRAWING 0425-015-0000 AND 0425-017-0000.

1. SECONDARY WEDGE LOCK W3P-1939 IS KEYED AND INCLUDED TO PREVENT MISMATING AND MAY NOT MATE WITH ALL 3 WAY DT SERIES PLUGS.

NOTES:

TE INTERNAL PN	DEUTSCH PN
DT04-3P-P006	DT04-3P-P006

THIS DRAWING IS A CONTROLLED DOCUMENT.		DWN	07JUL1999	 TE Connectivity	NAME 3 WAY RECEPTACLE, DT SERIES (TERMINATING RECEPTACLE) -P006 MOD
DIMENSIONS:		CHK	08JUL1999		
in [mm]		APVD	13JUL1999		
TOLERANCES UNLESS OTHERWISE SPECIFIED:		R READ			
0 PLC	±	PRODUCT SPEC	108-151009	SIZE	
1 PLC	±	APPLICATION SPEC	114-151009	CAGE CODE	4AFU8
2 PLC	±	WEIGHT	9.20g	DRAWING NO	DT04-3P-P006
3 PLC	±.025 [0.64]	CUSTOMER DRAWING		RESTRICTED TO	-
4 PLC	±	SCALE	3:1	SHEET	1 OF 1
ANGLES	±1°			REV	K
FINISH	-				