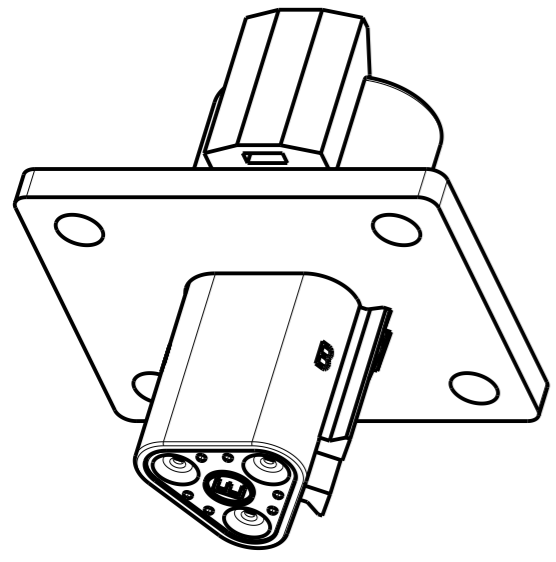


THIS DRAWING IS UNPUBLISHED
 RELEASED FOR PUBLICATION 2014
 © COPYRIGHT 2013 BY TE CONNECTIVITY ALL RIGHTS RESERVED.

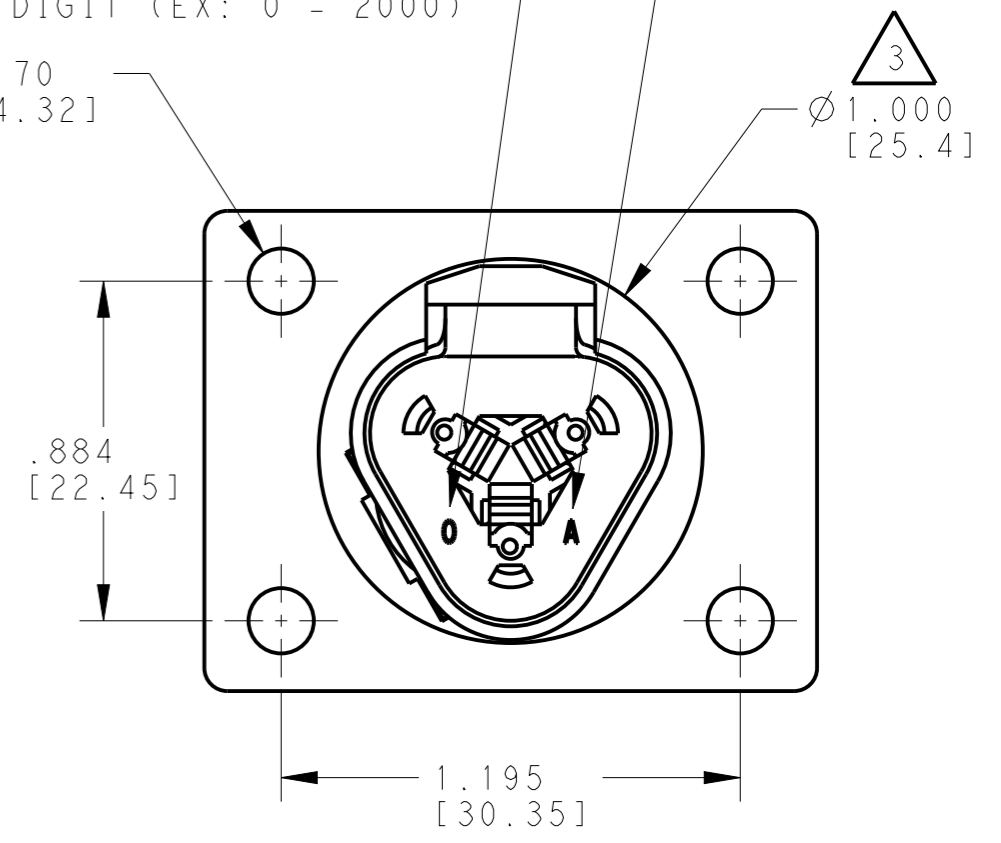
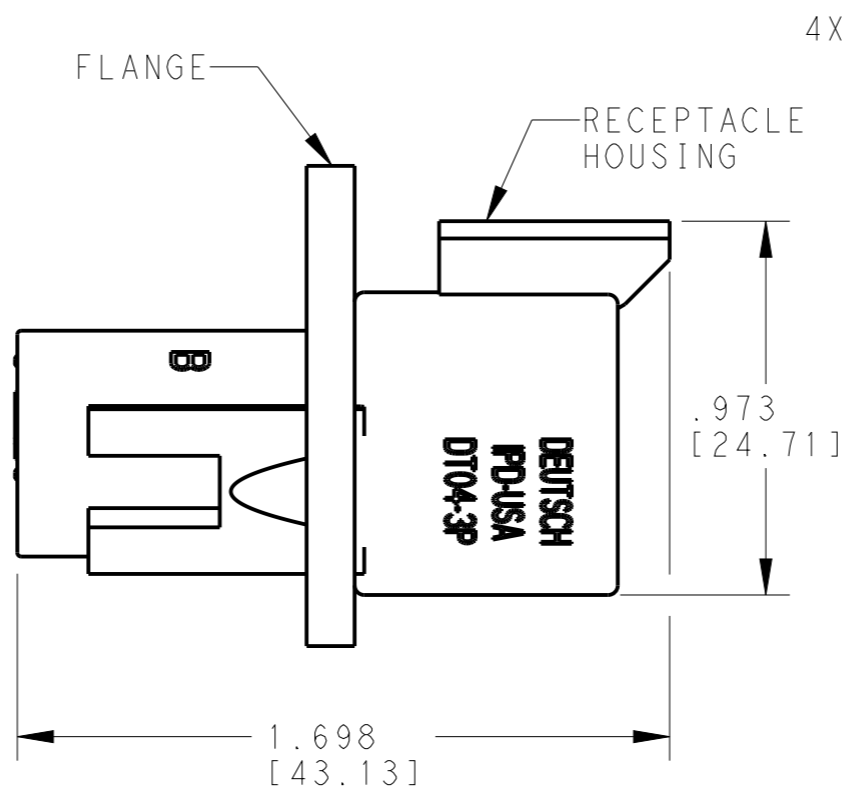
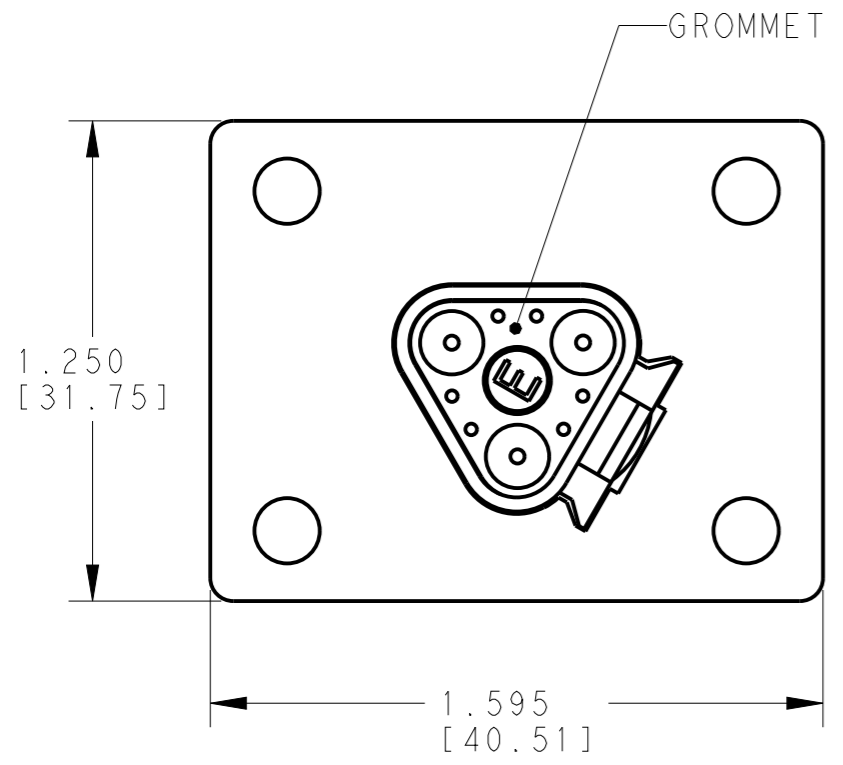
LOC	DIST	REVISIONS			
P	LTR	DESCRIPTION	DATE	DWN	APVD
	NC	NEW RELEASE PER E.O. P16489	18JAN2000	ST	JA
	A	REVISED PER E.O. P18489	20APR2004	ST	RDR
	A1	REVISED PER ECO-14-014800	02OCT2014	JA	DM



CONTACT SIZE	MIN. INSUL O.D.	MAX. INSUL O.D.	WIRE RANGE [mm ²] REF
16	.053 [1.35]	.120 [3.05]	14-20 AWG [2.0-0.5]

DATE CODE: SEQUENTIAL ALPHA CHARACTERS REPRESENT MONTH (EX: A = JANUARY)

DATE CODE: YEAR REPRESENTED BY LAST NUMERICAL DIGIT (EX: 0 = 2000)



MATERIAL: HOUSING AND FLANGE: GLASS FILLED PA 6/6; COLOR: BLACK; GROMMET: RUBBER

OUTLINE SHOWN FOR PANEL CUTOUT.

2. THIS RECEPTACLE MATES WITH DT06-3S-XXXX PLUG (XXXX = ALL MODIFICATIONS) CONSULT FACTORY FOR MODIFICATIONS.

FOR CONTACTS AND WIRE PERFORMANCE AND APPLICATION CHARACTERISTICS SEE ENVELOPE DRAWING 0425-015-000 AND 0425-017-0000.

NOTES:

THIS DRAWING IS A CONTROLLED DOCUMENT.		DWN 02OCT2014 JAIME C. APOSTOL	TE Connectivity	
DIMENSIONS: INCHES [mm]		CHK 02OCT2014 RUSSEL MESSENGER		
TOLERANCES UNLESS OTHERWISE SPECIFIED:		APVD 02OCT2014 DAVID MEYER	NAME 3 WAY RECEPTACLE WITH FLANGE DT SERIES	
 0 PLC ± 1 PLC ± 2 PLC ± 3 PLC ±.025 [64] 4 PLC ± ANGLES ±0°30'0"		PRODUCT SPEC	RESTRICTED TO	
MATERIAL		APPLICATION SPEC	SIZE A3	CAGE CODE 4AFU8
FINISH		WEIGHT 10.74g	DRAWING NO DT04-3P-CL06	
		Customer Drawing	SCALE NONE	SHEET 1 OF 1
			REV A1	