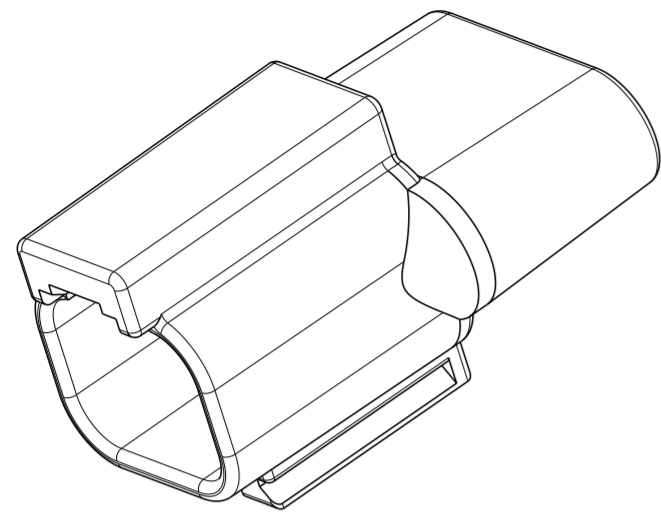
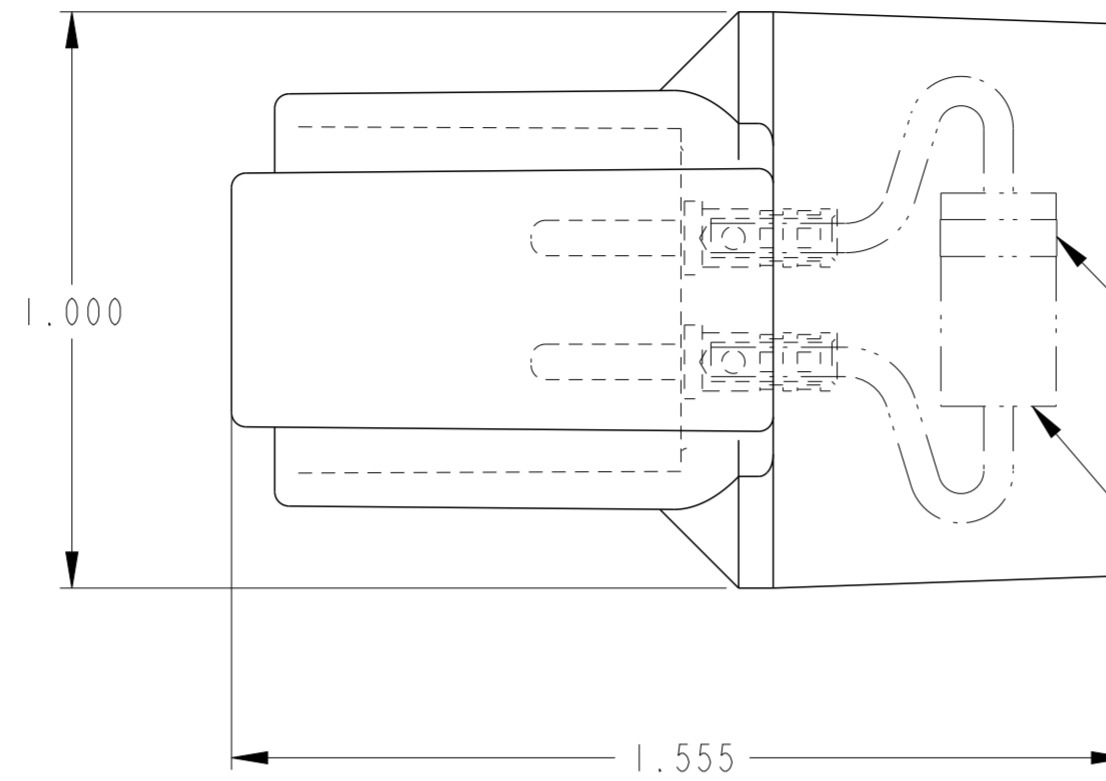


P	LTR	DESCRIPTION	DATE	DWN	APVD
E		REVISED PER E.O. P19626	04/21/08	-	RDR
F		REVISED PER E.O. P20499	05/27/10	-	RDR
G		REVISED PER PCN-24-197840	27DEC2023	RK	CB

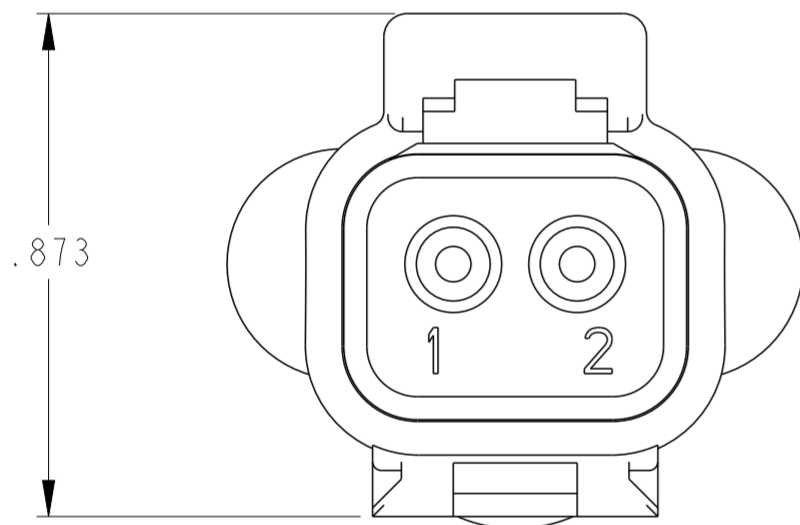


3D VIEW

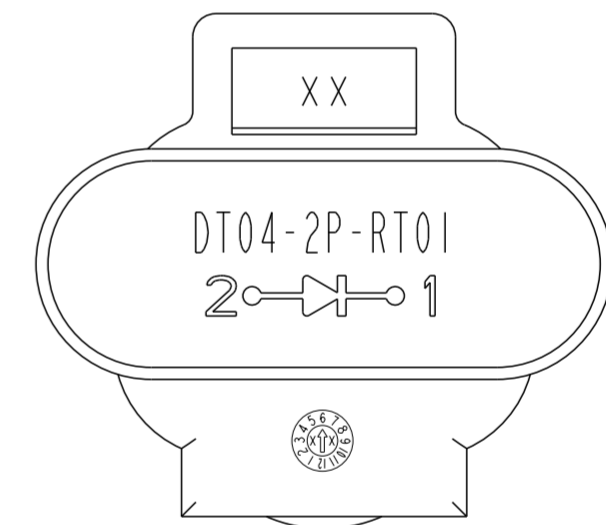
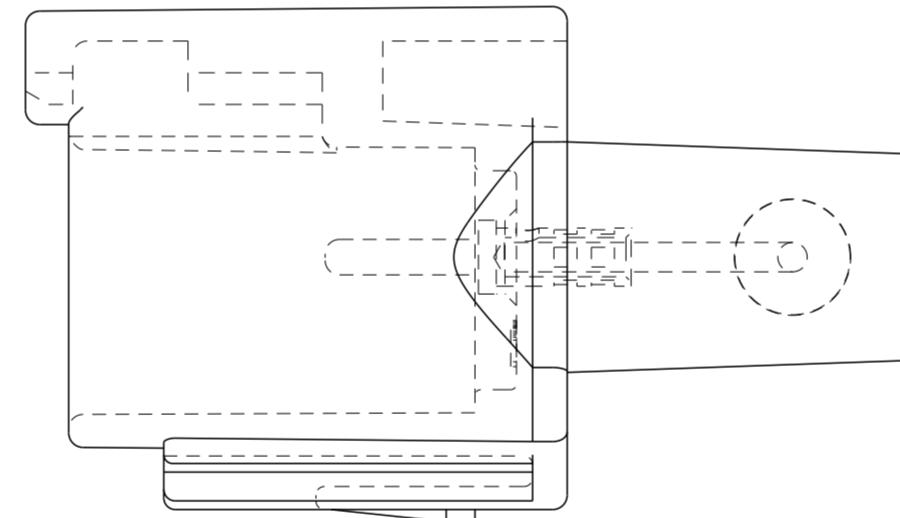


POLARITY STRIPE REFERENCE

MOLDED IN INTERNAL COMPONENT
DIODE MOTOROLA P/N MUR460G



CIRCUIT DWG.



4 MATERIAL:
HOUSING: PA66 GF15, BLACK
CONTACTS: COPPER ALLOY, GOLD PLATED

3. MOTOROLA DIODE P/N: MUR460G.
PEAK REVERSE VOLTAGE = 600.0 V MAX.
PEAK FORWARD VOLTAGE = 1.28 V MAX.
AVERAGE FORWARD CURRENT = 4.0 A MAX.
CONSULT THE FACTORY FOR DETAILED SPECIFICATIONS.

2. TEMPERATURE RANGE : -55°C TO +125°C.

1. RECEPTACLE MATES WITH DT06-2S-XXXX PLUG.
(XXXX=ALL MODIFICATIONS)

THIS DRAWING IS A CONTROLLED DOCUMENT.		DWN C.R. BUNKE 29 JUL 99	TE Connectivity	
DIMENSIONS: INCHES (METRIC)		CHK - 05/27/10		
TOLERANCES UNLESS OTHERWISE SPECIFIED:		APVD - 05/26/10	NAME 2 WAY RECEPTACLE TERMINATOR DT SERIES	
0 PLC ± 1 PLC ± 2 PLC ± 3 PLC ±.025 [0.63] 4 PLC ±		PRODUCT SPEC -	SIZE A2	
MATERIAL 4		FINISH -	APPLICATION SPEC -	CAGE CODE 00779
		WEIGHT -	DRAWING NO DT04-2P-RT01	RESTRICTED TO -
		CUSTOMER DRAWING	SCALE 3:1	SHEET 1 OF 1
			REV G	