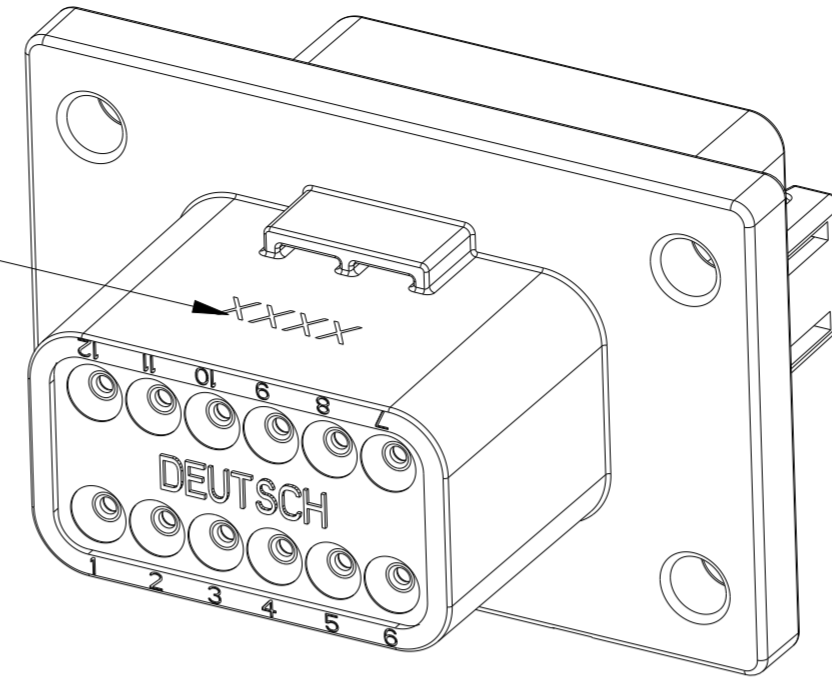
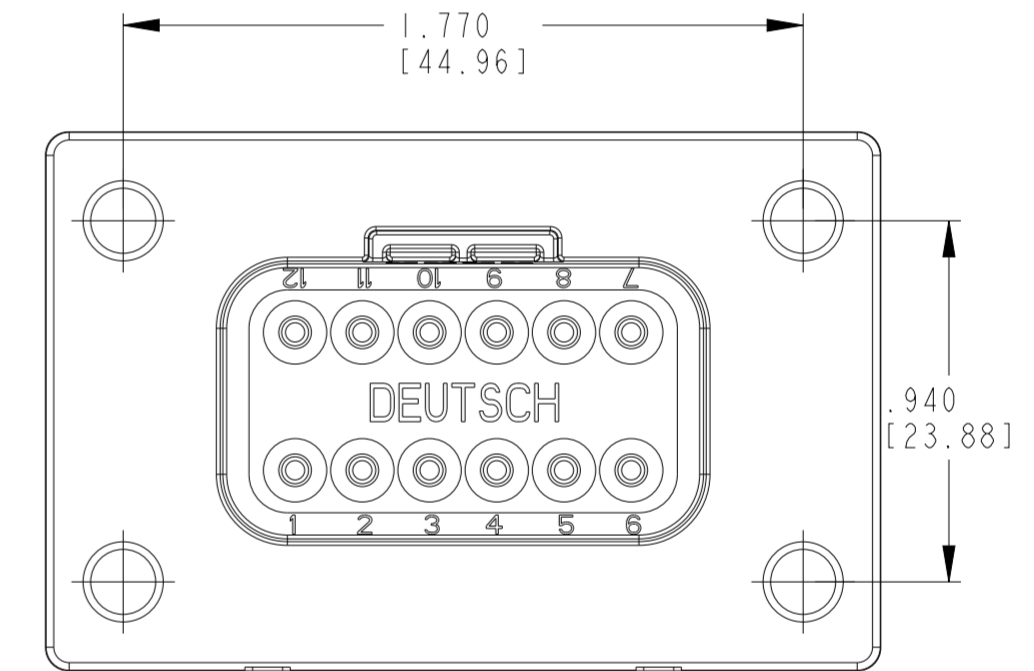
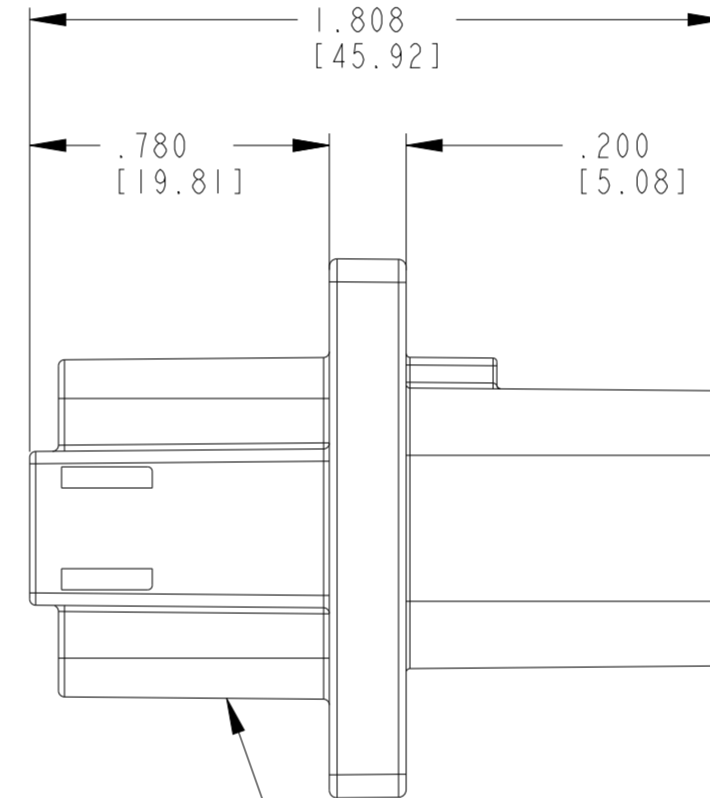
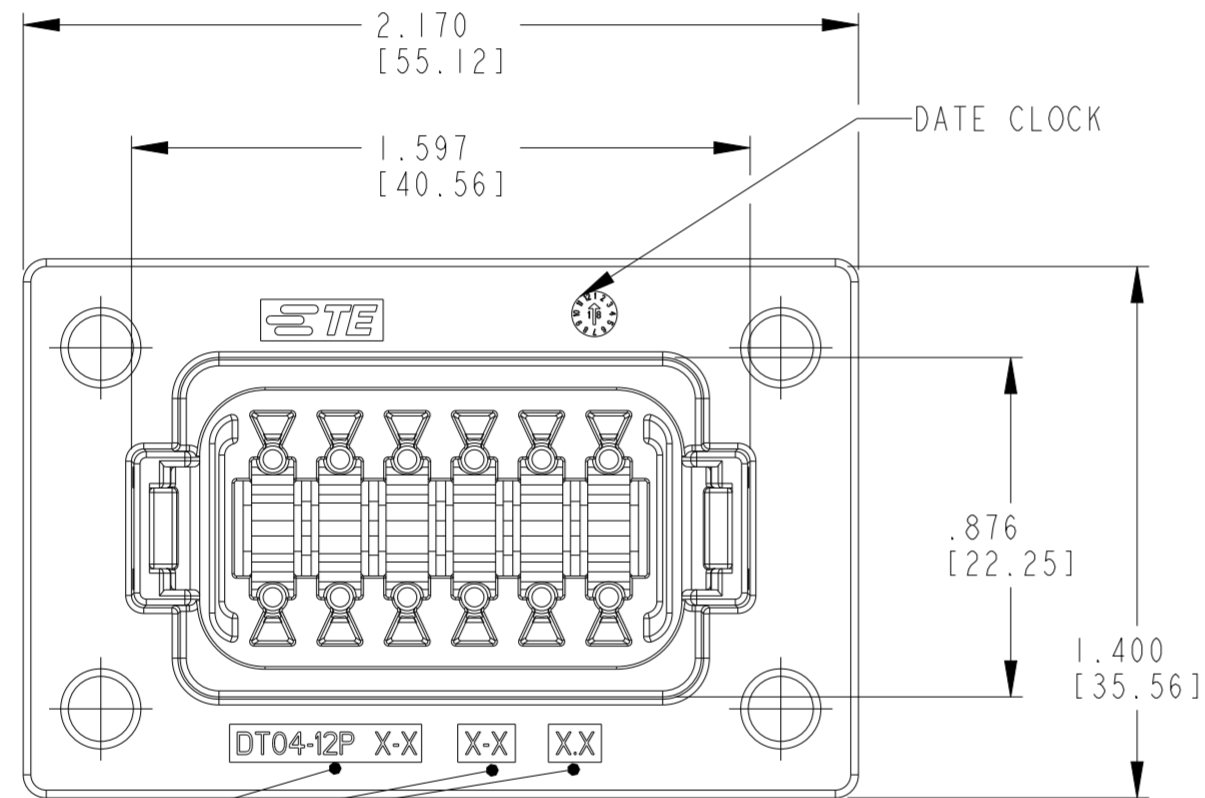


PART NUM.
MODIFICATION



3-DIMENSIONAL VIEW

REVISIONS					
P	LTR	DESCRIPTION	DATE	DWN	APVD
A		REVISED PER E.O. P19542	18MAY2010	-	RDR
D		REVISED PER E-20-009825	09JUL2020	PMV	IG
D1		REVISED PER PCN-22-157426	03NOV2022	MR	IG
D2		REVISED PER PCN-23-185791	11AUG2023	MR	IG



TRACEABILITY
CODING

RECEPTACLE HOUSING

7. SECONDARY WEDGE LOCK SOLD SEPARATELY: W12P-XXXX.
(XXXX = ALL MODIFICATIONS)

6. RECOMMENDED SCREW: 6-32 [M4].
RECOMMENDED TORQUE: 20-25 IN-LB [2.26-2.82 Nm].

5. MATERIAL - HOUSING: PA66 GF15
GROMMET: VMO (ORANGE RED)

4. THIS RECEPTACLE MATES WITH DT06-12SX-XXXX PLUG.
(X = KEY ARR. A,B,C,D; XXXX = ALL MODIFICATIONS)
CONSULT FACTORY FOR MODIFICATIONS.

3. FOR CONTACT AND WIRE PERFORMANCE AND APPLICATION
CHARACTERISTICS, SEE ENVELOPE DRAWING 0425-015-0000.

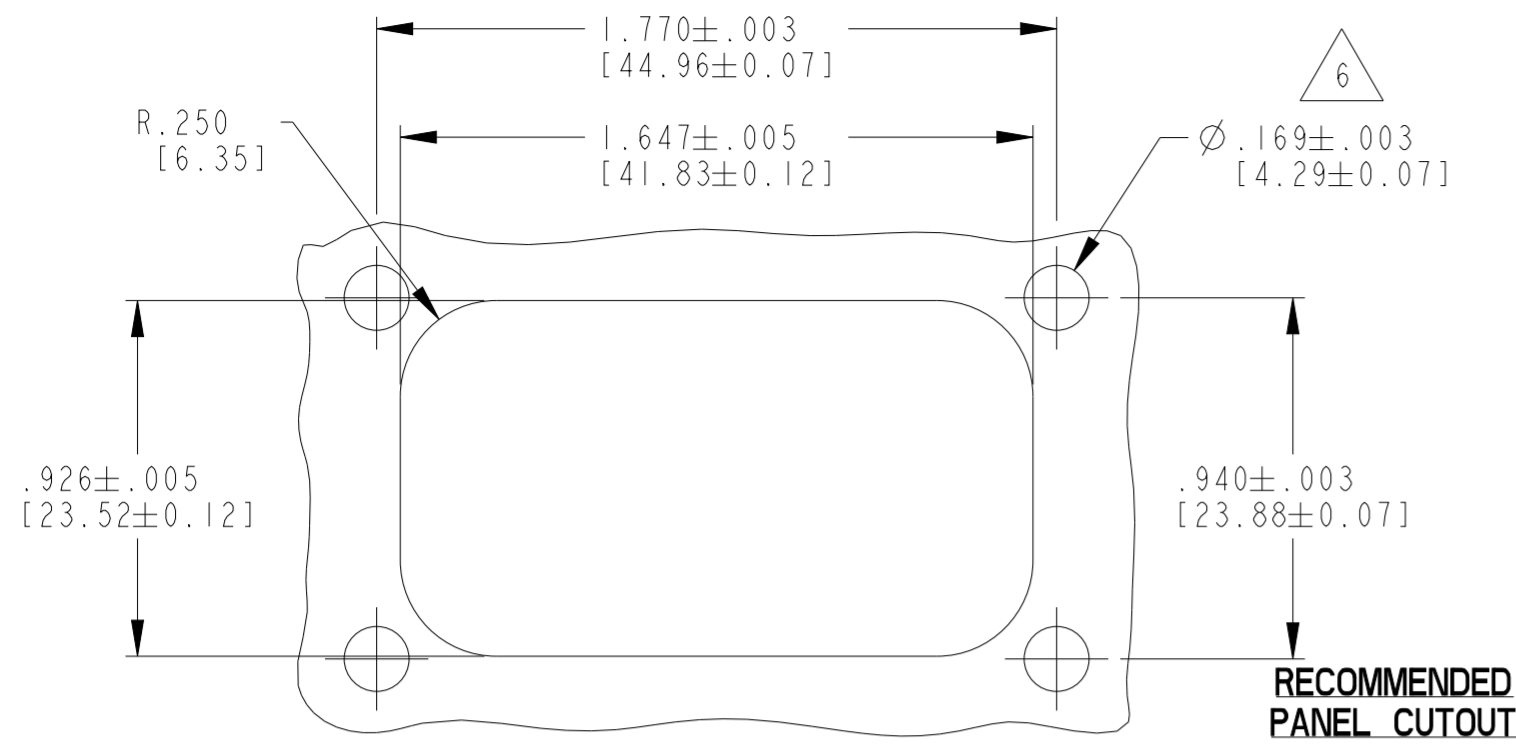
2. DELETED

NOTES: 1. DELETED

CONTACT SIZE	MIN. INSUL O.D.	MAX. INSUL O.D.	WIRE RANGE [mm ²] REF ONLY
16	.088 [2.24]	.145 [3.68]	14-20 AWG [2.0-0.5]

THIS DRAWING IS A CONTROLLED DOCUMENT.		DWN A MALAGON 16MAY2007	TE Connectivity	
DIMENSIONS: INCHES [MM]		CHK R MCCORD 14MAY2010		
TOLERANCES UNLESS OTHERWISE SPECIFIED:		APVD S BEARD 04MAY2010	NAME 12 WAY RECEPTACLE W/ FLANGE-L012 MOD DT SERIES	
0 PLC ±		PRODUCT SPEC 108-151009	SIZE A2	
1 PLC ±		APPLICATION SPEC 114-151009	CAGE CODE 00779	DRAWING NO DT04-12PX-L012
2 PLC ±		WEIGHT -	RESTRICTED TO -	SCALE 2:1
3 PLC ±.025 [0.64]		CUSTOMER DRAWING	SHEET 1	OF 2
4 PLC ±			REV D2	
ANGLES ±0° 30' 0"				
FINISH				
5				

P	LTR	DESCRIPTION	DATE	DWN	APVD
-	-	SEE SHEET 1	-	-	-

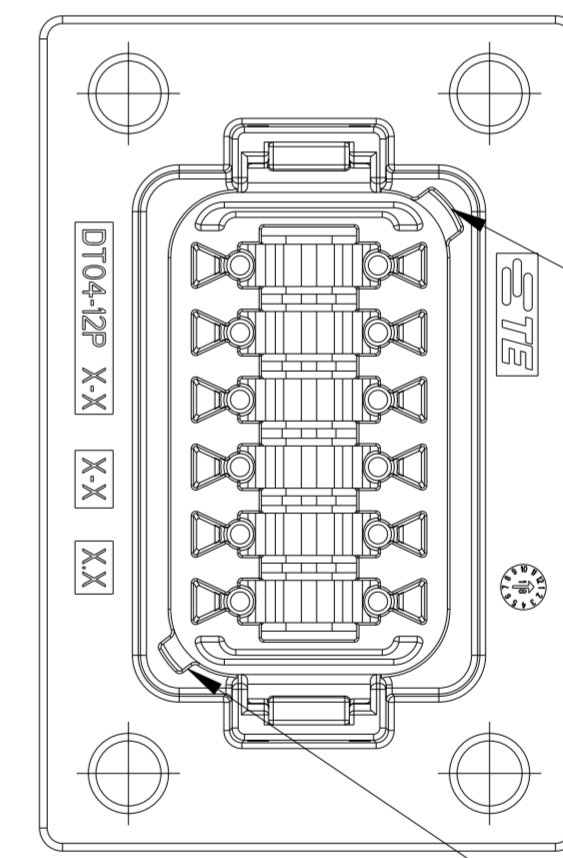
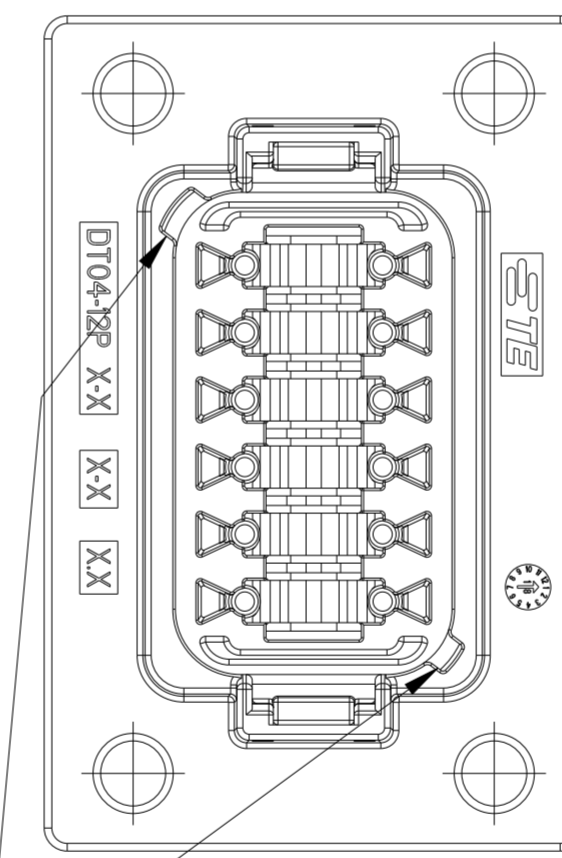
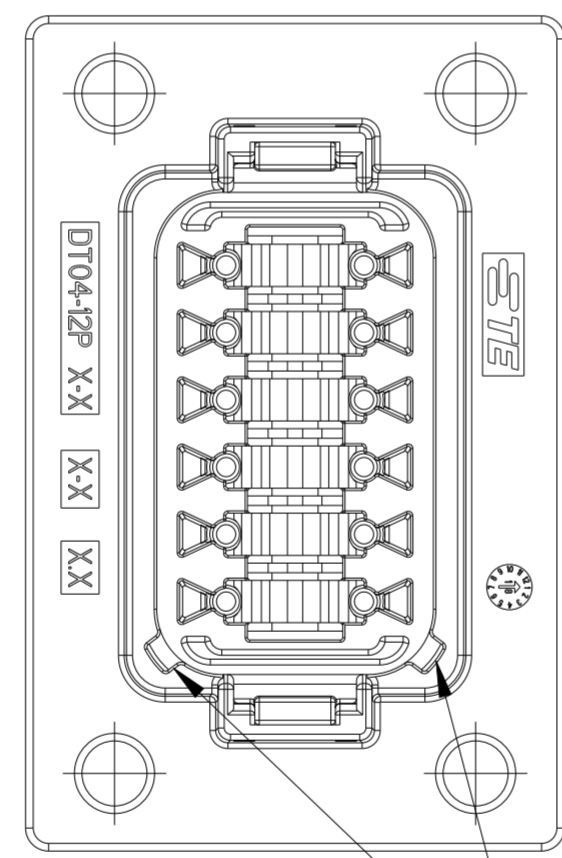
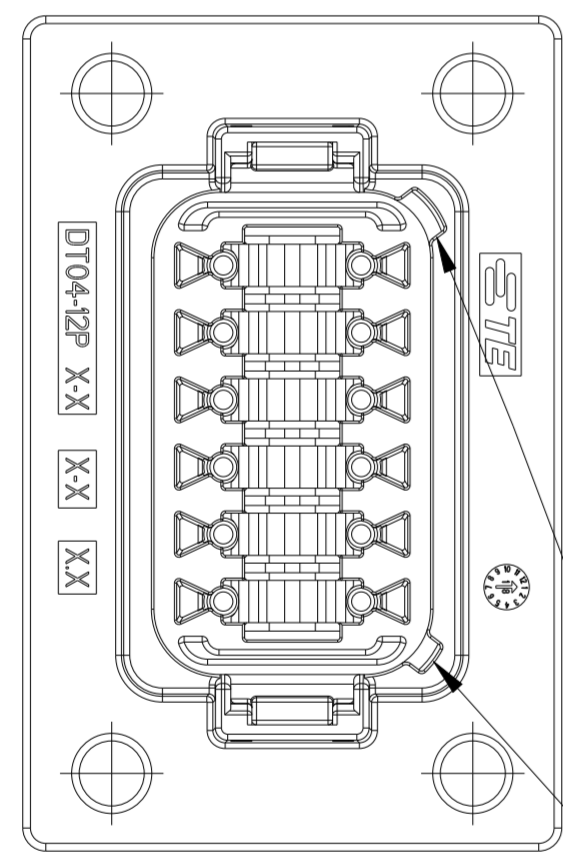


DT04-12PA-L012
KEY -A-
COLOR: GREY

DT04-12PB-L012
KEY -B-
COLOR: BLACK

DT04-12PC-L012
KEY -C-
COLOR: GREEN

DT04-12PD-L012
KEY -D-
COLOR: BROWN



KEY -A-

KEY -B-

KEY -C-

KEY -D-

THIS DRAWING IS A CONTROLLED DOCUMENT.		DWN A MALAGON 16MAY2007	TE Connectivity																						
DIMENSIONS: INCHES[MM]		CHK R MCCORD 14MAY2010																							
TOLERANCES UNLESS OTHERWISE SPECIFIED:		APVD S BEARD 04MAY2010	NAME 12 WAY RECEPTACLE W/ FLANGE-L012 MOD DT SERIES																						
<table border="0"> <tr> <td>0 PLC</td> <td>±</td> <td></td> </tr> <tr> <td>1 PLC</td> <td>±</td> <td></td> </tr> <tr> <td>2 PLC</td> <td>±</td> <td></td> </tr> <tr> <td>3 PLC</td> <td>±.025 [0.64]</td> <td></td> </tr> <tr> <td>4 PLC</td> <td>±</td> <td></td> </tr> <tr> <td>ANGLES</td> <td></td> <td>±0° 30' 0"</td> </tr> <tr> <td>FINISH</td> <td></td> <td></td> </tr> </table>		0 PLC	±		1 PLC	±		2 PLC	±		3 PLC	±.025 [0.64]		4 PLC	±		ANGLES		±0° 30' 0"	FINISH			PRODUCT SPEC 108-151009	SIZE A2	
0 PLC	±																								
1 PLC	±																								
2 PLC	±																								
3 PLC	±.025 [0.64]																								
4 PLC	±																								
ANGLES		±0° 30' 0"																							
FINISH																									
MATERIAL		APPLICATION SPEC 114-151009	CAGE CODE 00779	DRAWING NO G-DT04-12PX-L012	RESTRICTED TO -																				
		WEIGHT -	SCALE 2:1		SHEET 2 OF 2																				
		CUSTOMER DRAWING	REV D2																						