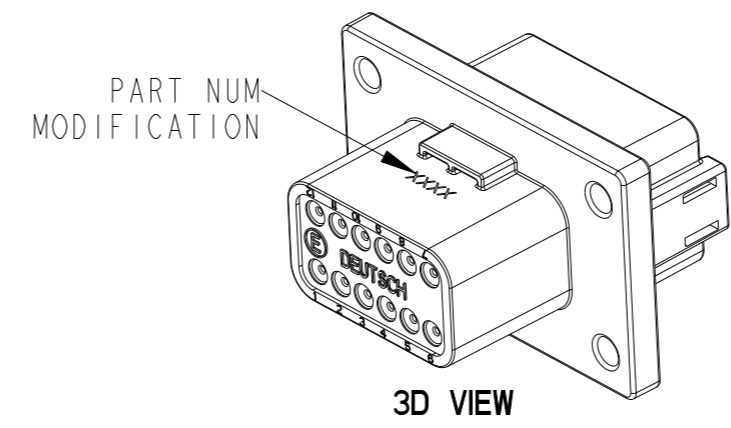
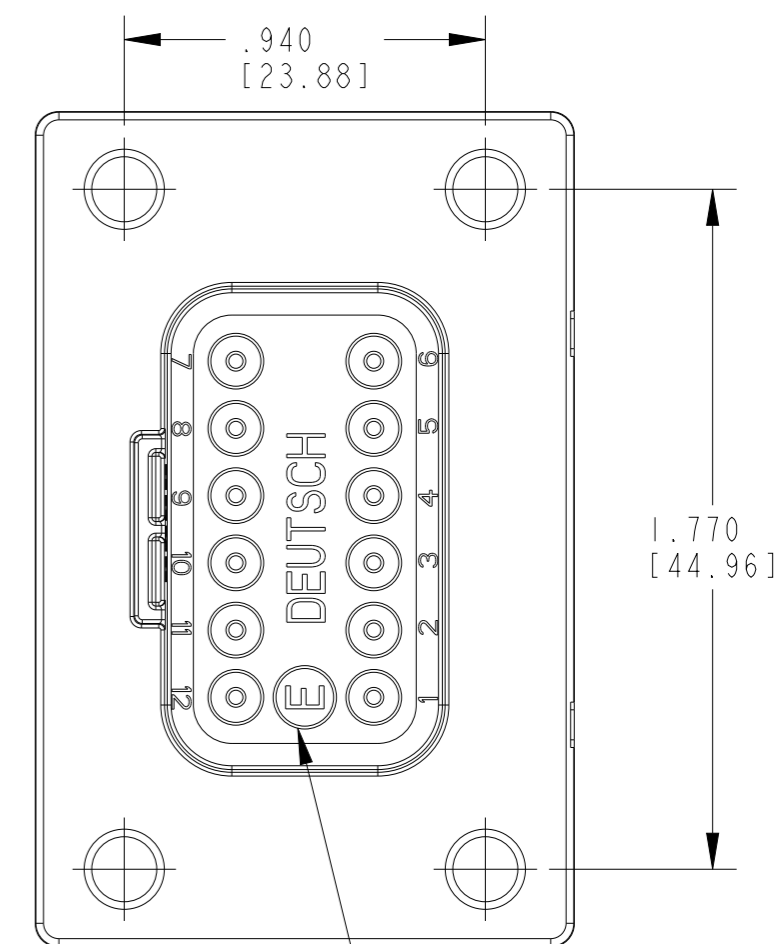
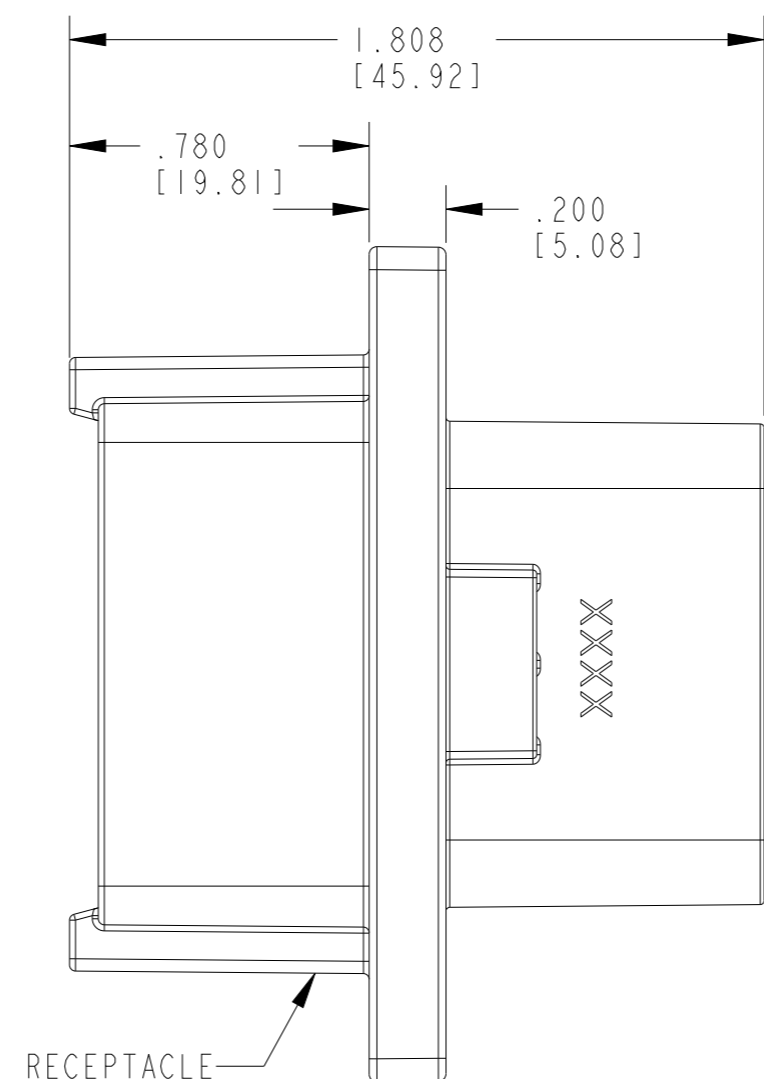
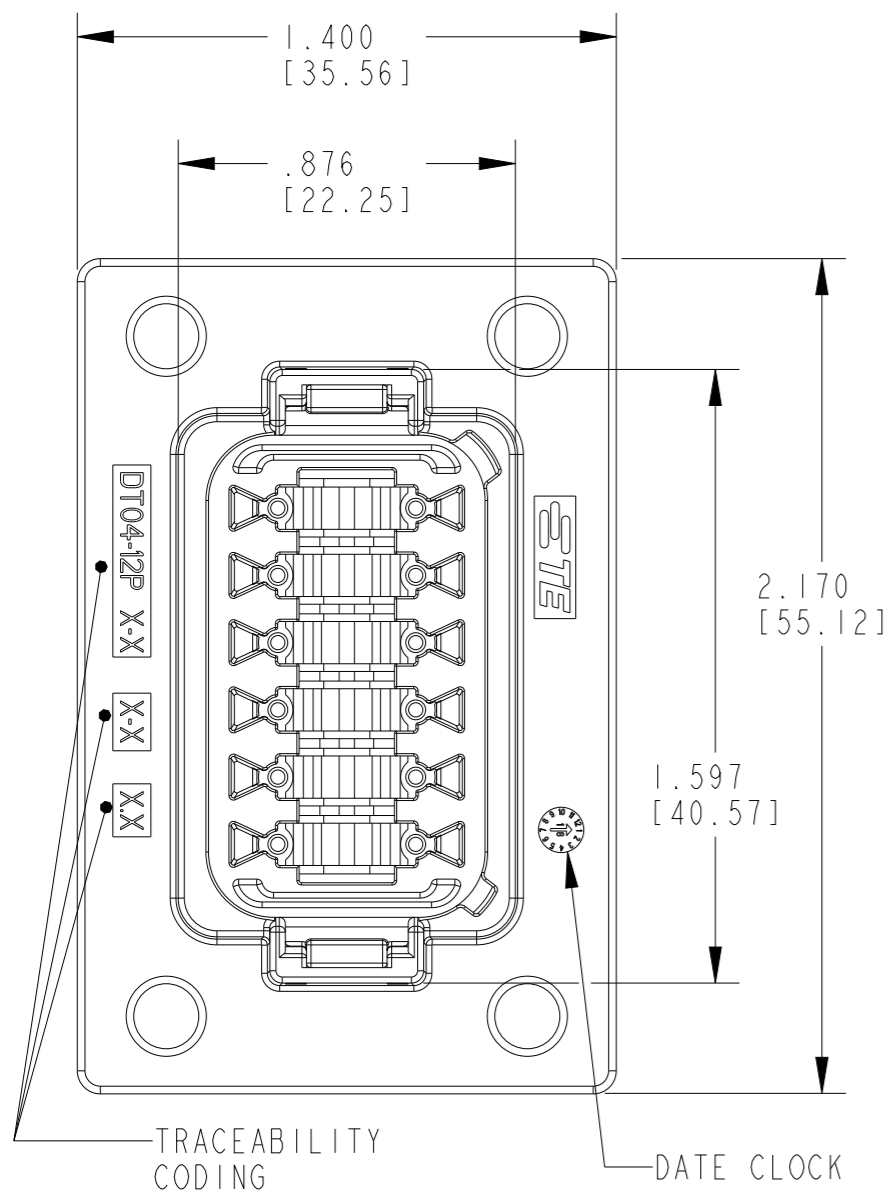


| P | LTR | DESCRIPTION | DATE | DWN | APVD |
|----|-----|---------------------------|-----------|-----|------|
| A | | REVISED PER E.O. P20438 | 18MAY2010 | - | RDR |
| B | | REVISED PER E-20-009825 | 08JUL2020 | PMV | IG |
| B1 | | REVISED PER PCN-22-157426 | 03NOV2022 | MR | IG |
| B2 | | REVISED PER PCN-23-185791 | 11AUG2023 | MR | IG |



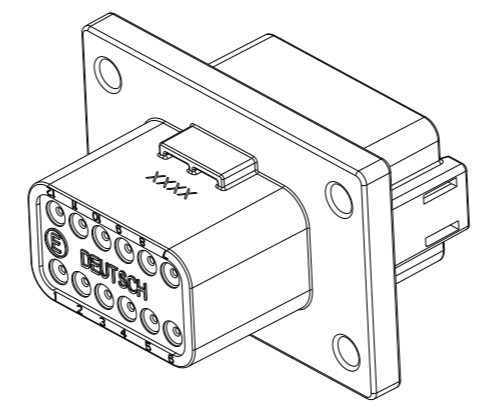
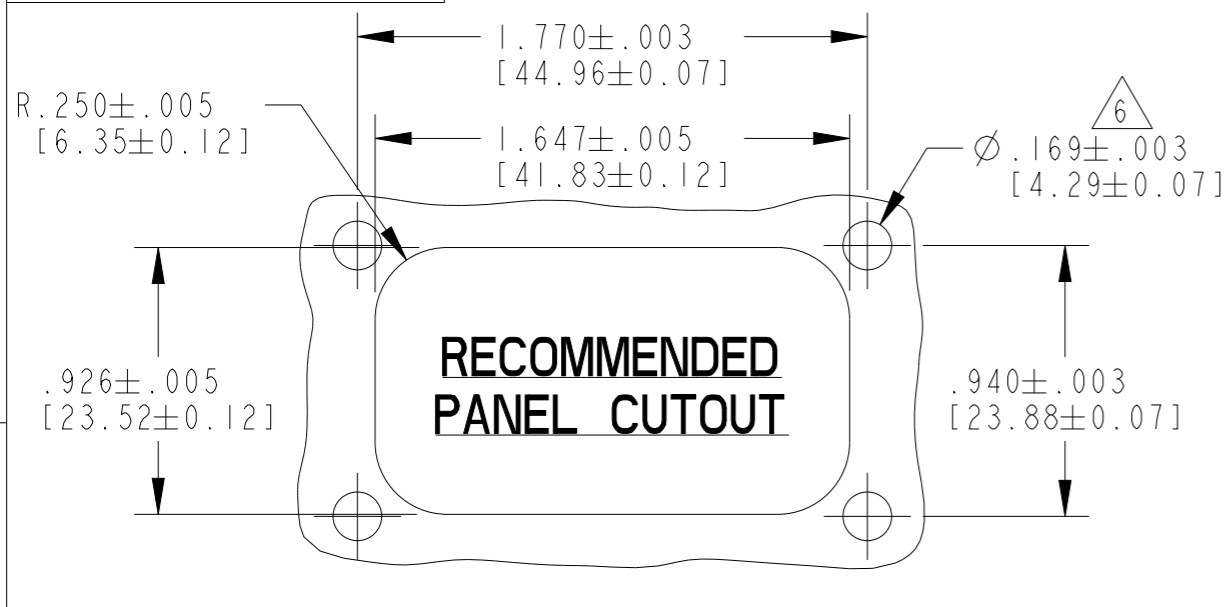
- 7. SECONDARY WEDGE LOCK SOLD SEPARATELY: W12P-XXXX. (XXXX = ALL MODIFICATIONS)
- 6. RECOMMENDED SCREW: 6-32 [M4]. RECOMMENDED TORQUE: 20-25 IN-LB [2.26-2.82 Nm].
- 5. MATERIAL - HOUSING: PA66 GF15 GROMMET: VMQ (BURNT RED)
- 4. THIS RECEPTACLE MATES WITH DT06-12SX-XXXX PLUG. (X = KEY ARR. A,B,C,D; XXXX = ALL MODIFICATIONS) CONSULT FACTORY FOR MODIFICATIONS.
- 3. FOR CONTACT AND WIRE PERFORMANCE AND APPLICATION CHARACTERISTICS, SEE ENVELOPE DRAWING 0425-015-0000.

| CONTACT SIZE | MIN. INSUL. O.D. | MAX. INSUL. O.D. | WIRE RANGE [mm ²] REF ONLY |
|--------------|------------------|------------------|--|
| 16 | .053 [1.35] | .120 [3.05] | 14-20 AWG [2.0-0.5] |

NOTES: 1. DELETED
2. DELETED

| | | | | | |
|---|--|-----------------------------|--|--|--|
| THIS DRAWING IS A CONTROLLED DOCUMENT. | | DWN R. MESSENGER 24APR2008 | | TE Connectivity | |
| DIMENSIONS: INCHES [mm] | | CHK R. MCCORD 14MAY2010 | | | |
| TOLERANCES UNLESS OTHERWISE SPECIFIED: | | APVD S. BEARD 04MAY2010 | | NAME 12 WAY RECEPTACLE FLANGE E SEAL DT SERIES | |
| 0 PLC ±- 1 PLC ±- 2 PLC ±- 3 PLC ±.025 [0.64] 4 PLC ±- ANGLES ±0° 30' 0" | | PRODUCT SPEC 108-151009 | | SIZE A3 | |
| MATERIAL 5 | | APPLICATION SPEC 114-151009 | | CAGE CODE 00779 | |
| | | WEIGHT - | | DRAWING NO C-DT04-12PX-CL03 | |
| | | CUSTOMER DRAWING | | RESTRICTED TO - | |
| | | SCALE 2:1 | | SHEET 1 OF 2 | |
| | | | | REV B2 | |

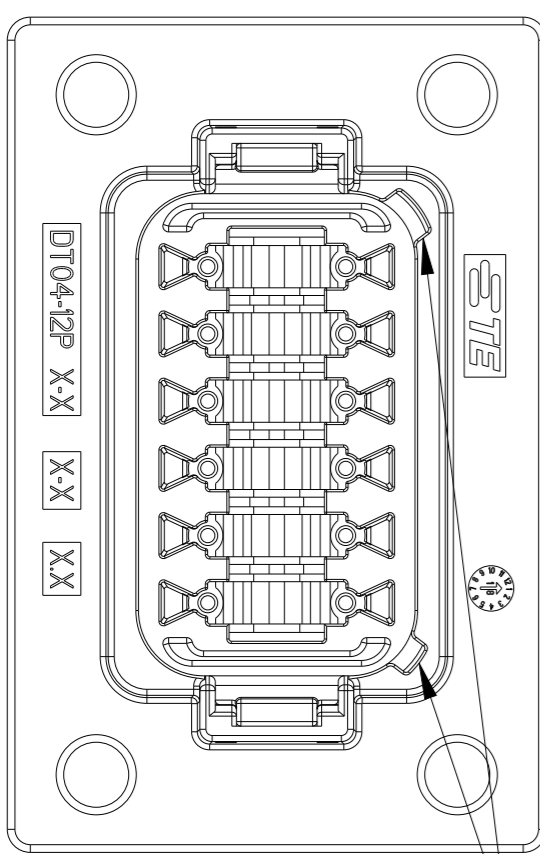
| P | LTR | DESCRIPTION | DATE | DWN | APVD |
|---|-----|-------------|------|-----|------|
| - | - | SEE SHEET 1 | - | - | - |



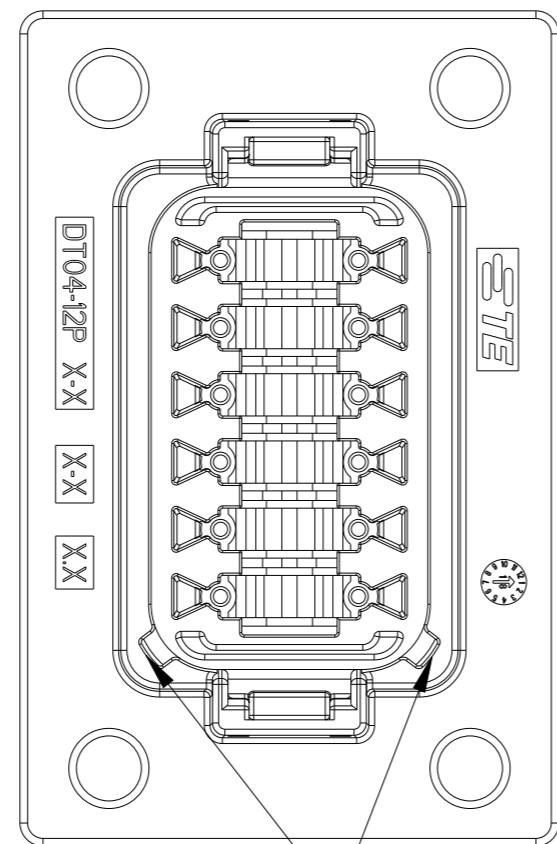
SCALE 1:1
3-DIMENSIONAL VIEW

DT04-12PC-CL03
KEY -C-
COLOR: GREEN

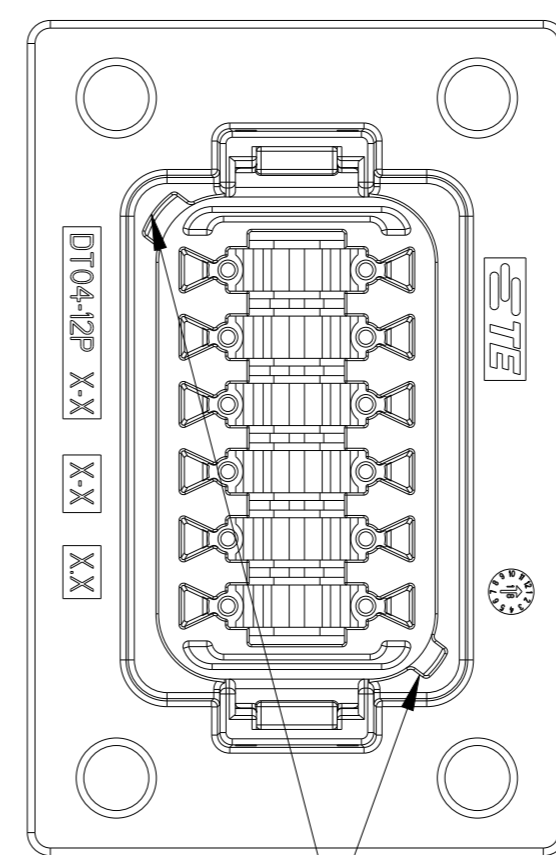
DT04-12PD-CL03
KEY -D-
COLOR: BROWN



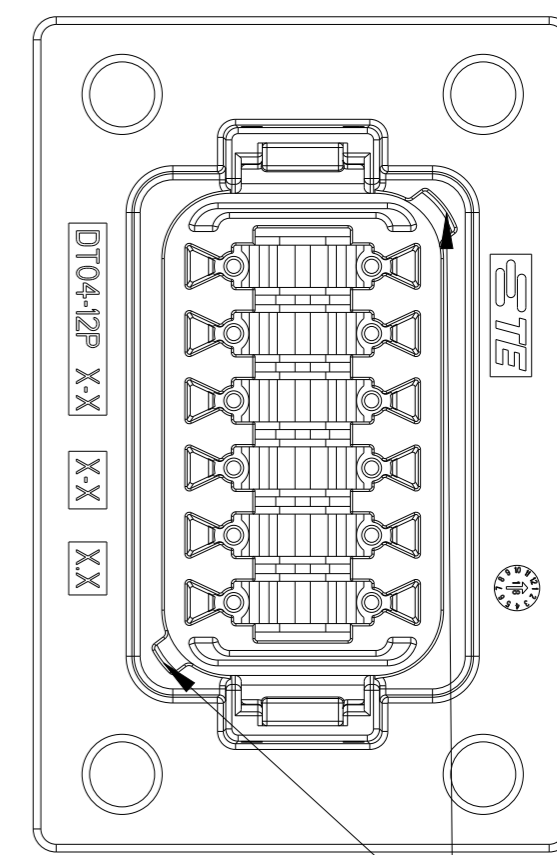
DT04-12PA-CL03
KEY -A-
COLOR: GRAY



DT04-12PB-CL03
KEY -B-
COLOR: BLACK



DT04-12PC-CL03
KEY -C-
COLOR: GREEN



DT04-12PD-CL03
KEY -D-
COLOR: BROWN

| | |
|--|--|
| THIS DRAWING IS A CONTROLLED DOCUMENT. | |
| DIMENSIONS: INCHES [mm] | TOLERANCES UNLESS OTHERWISE SPECIFIED: |
| | 0 PLC ±- |
| | 1 PLC ±- |
| | 2 PLC ±- |
| | 3 PLC ±.025 [0.64] |
| | 4 PLC ±- |
| | ANGLES ±° 30' 0" |
| MATERIAL | FINISH |
| - | - |

| | |
|------------------|------------|
| DWN | 24APR2008 |
| R. MESSENGER | |
| CHK | 14MAY2010 |
| R. MCCORD | |
| APVD | 04MAY2010 |
| S. BEARD | |
| PRODUCT SPEC | 108-151009 |
| APPLICATION SPEC | 114-151009 |
| WEIGHT | - |
| CUSTOMER DRAWING | |

| | | | |
|-----------------|-----------|--|---------------|
| TE Connectivity | | NAME | |
| | | 12 WAY RECEPTACLE FLANGE E SEAL DT SERIES | |
| SIZE | CAGE CODE | DRAWING NO | RESTRICTED TO |
| A3 | 00779 | DT04-12PX-CL03 | - |
| SCALE 2:1 | | SHEET 2 OF 2 | REV B2 |