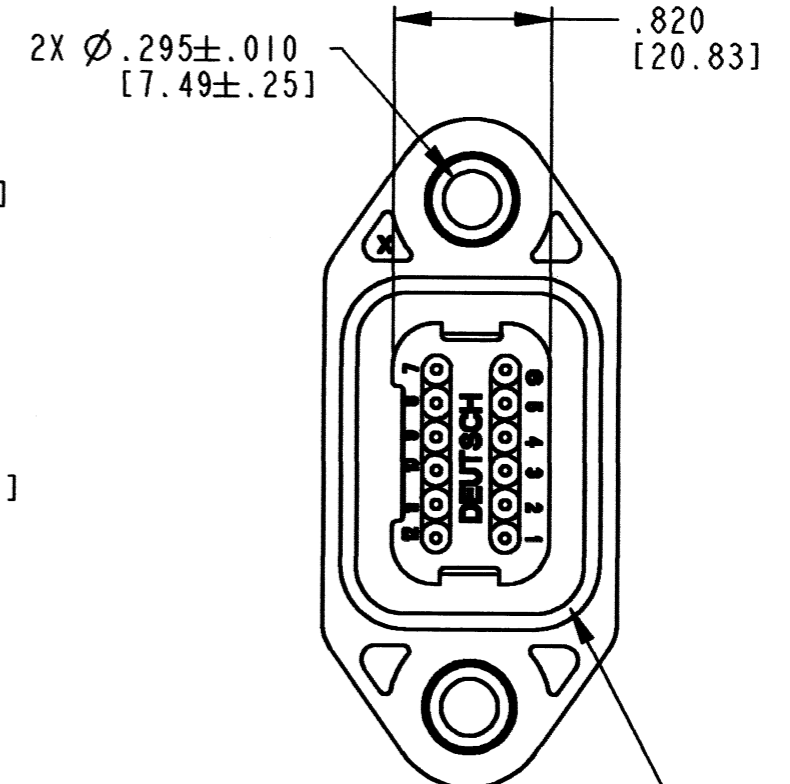
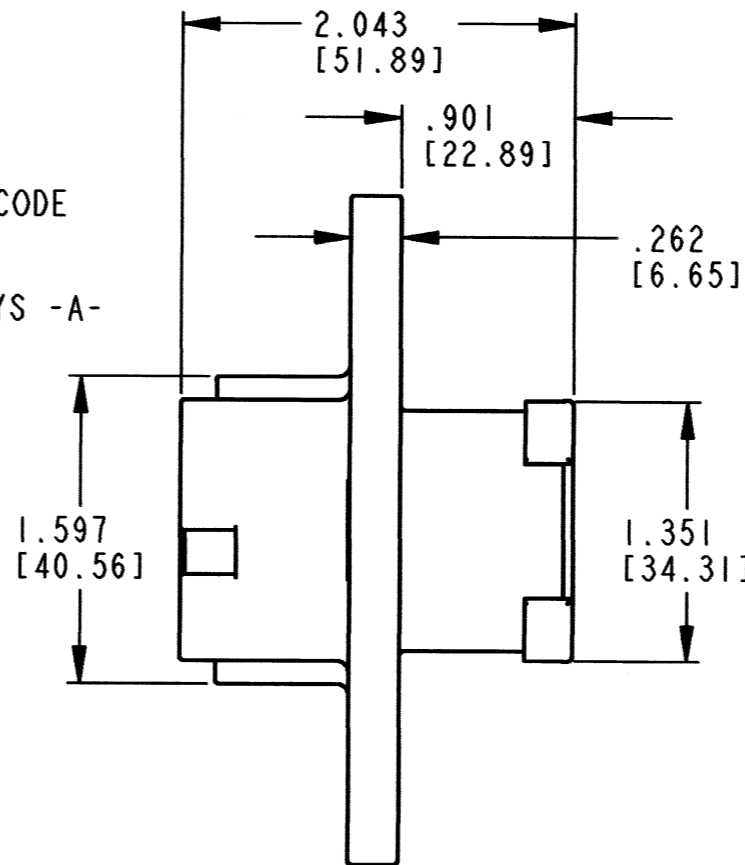
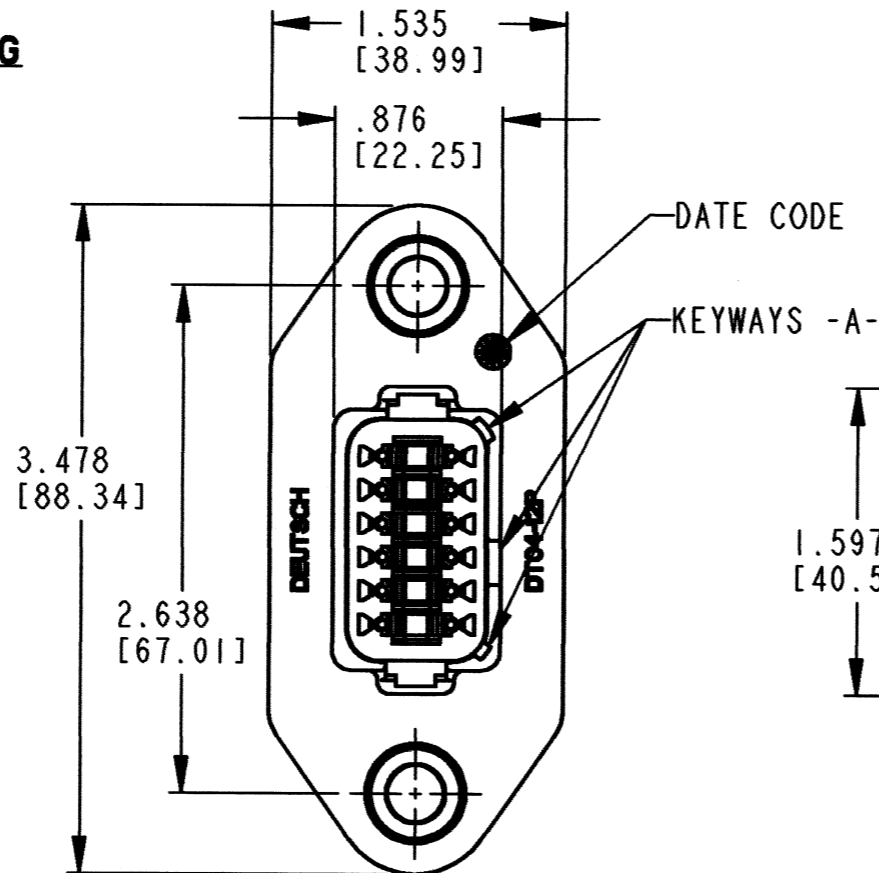
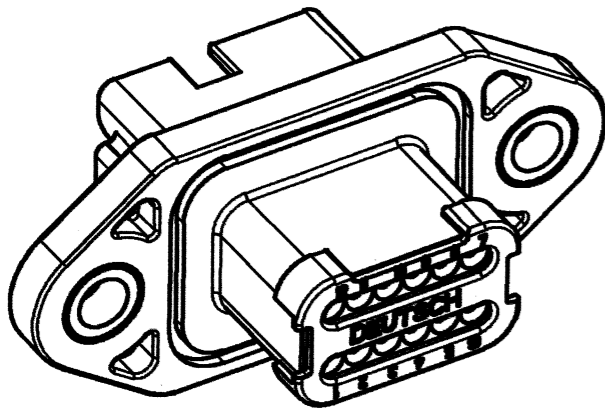


2X DRILL AND TAP
BLIND HOLE FOR
1/4-20 FASTENER

**RECOMMENDED MOUNTING
DETAIL**



REV
C DT04-12PA-LE17

REVISIONS			
SYM	DESCRIPTION	DATE	APPROVED
NC	NEW RELEASE PER E.O. P18636	8/5/04	R.D.R.
A	REVISED PER E.O. P19065	7/6/06	R.D.R.
B	REVISED PER E.O. P19337	8/3/06	R.D.R.
C	REVISED PER E.O. P20545	9-30-10	SB

CONTACT SIZE	MIN. INSUL. O.D.	MAX. INSUL. O.D.	WIRE RANGE [mm ²] REF ONLY
16	.088 [2.24]	.145 [3.68]	14-20 AWG [2.0-0.5]

6. FLANGE SEAL, P/N: 1013-003-1206 SUPPLIED SEPARATELY.
5. MATERIAL: SHELL: PLASTIC; GROMMET: RUBBER
4. THIS RECEPTACLE MATES WITH THE DT06-12SA-**** PLUG. (**** ALL MODIFICATIONS). CONSULT FACTORY FOR MODIFICATIONS.
3. FOR CONTACTS AND WIRE PERFORMANCE AND APPLICATION CHARACTERISTICS SEE ENVELOPE DRAWING 0425-015-0000 AND 0425-017-0000.
2. DIMENSIONS ARE ±.025 [.064] UNLESS OTHERWISE SPECIFIED.
1. DIMENSIONS ARE IN INCHES [MILLIMETERS].

NOTES:

SIGNATURE & DATE	
DR	T. YOHANNES 22 JULY 04
CHK	B. B. 8/4/2010
PE	A. MORGAN 8/2/10
APPD	S. BEND 8-2-10
SCALE	NONE WT

**12 WAY RECEPTACLE
-LE17 MOD.
COLOR: BLACK
DT SERIES**

ENVELOPE

EP	MATL. CODE
3850 INDUSTRIAL AVE. HEMET, CA 92545	
B	DT04-12PA-LE17
DWG SIZE	CODE 11139 SHEET OF