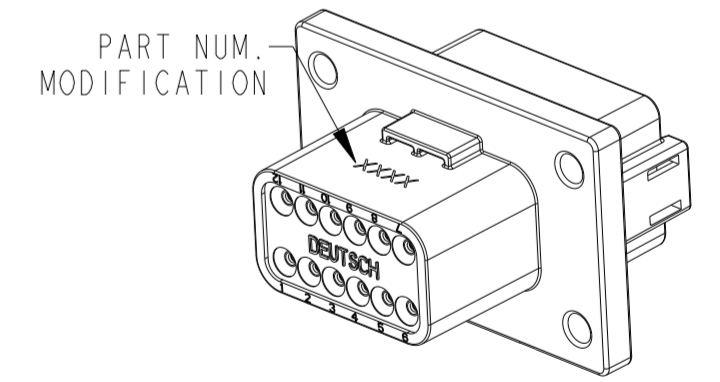
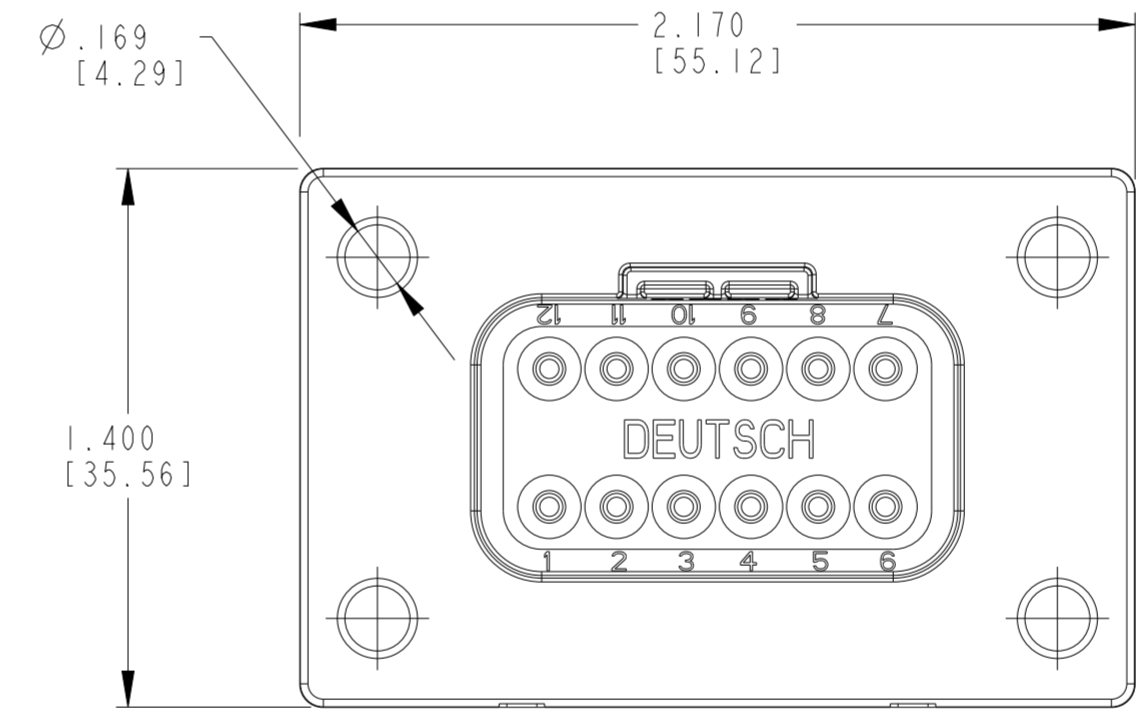
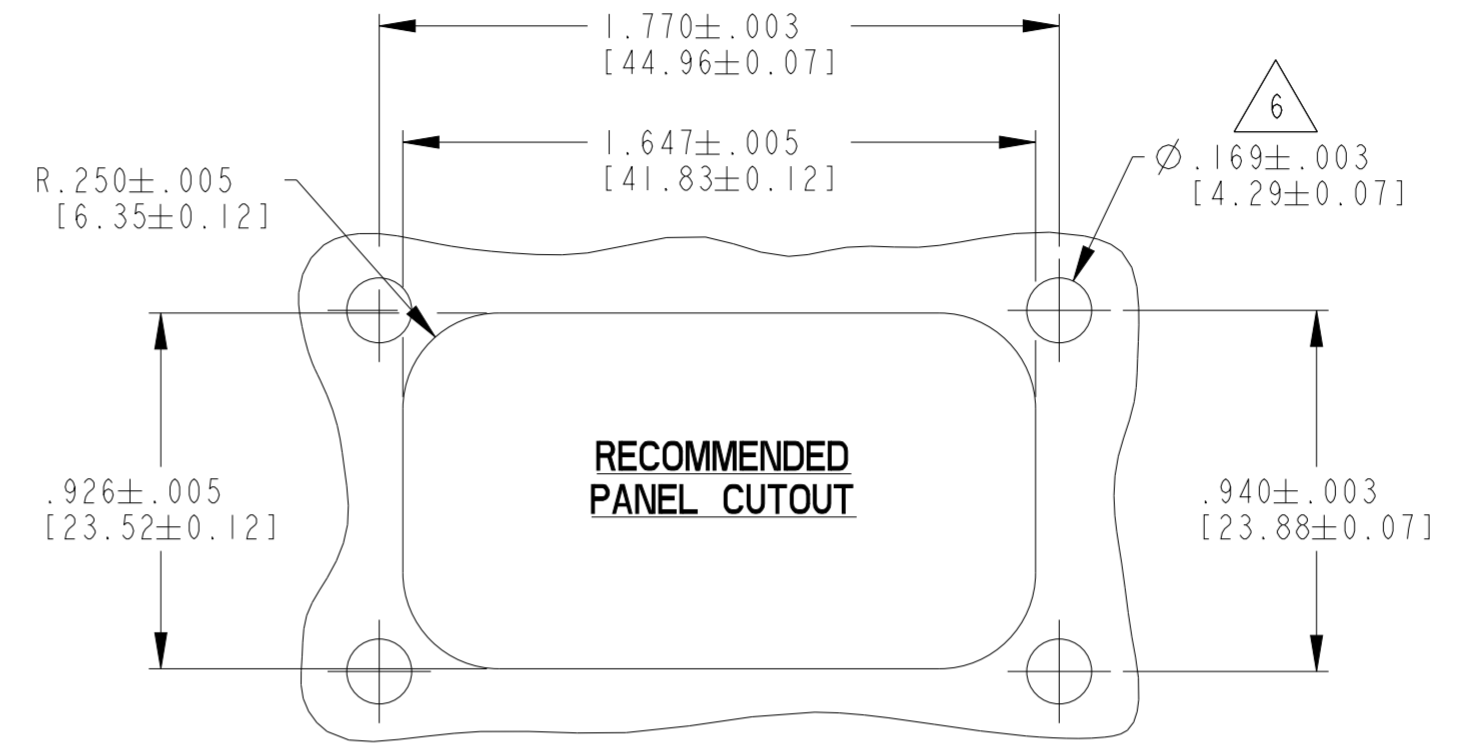
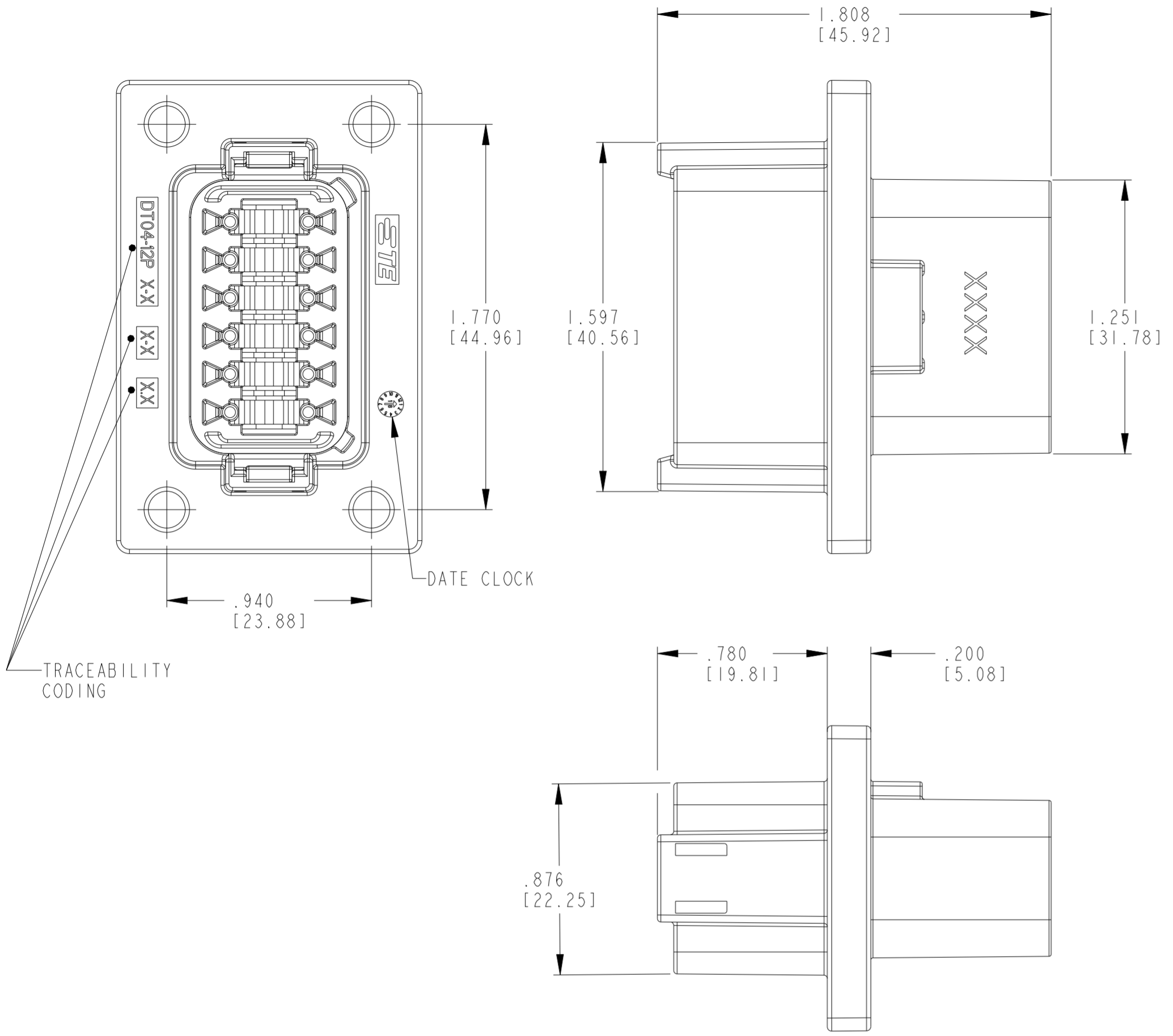


REVISIONS				
P	LTR	DESCRIPTION	DATE	APVD
A		REVISED PER E.O. P20438	18MAY2010	RDR
B		REVISED PER E-20-009825	09JUL2020	PMV IG
B1		REVISED PER PCN-22-157426	03NOV2022	MR IG
B2		REVISED PER PCN-23-185791	11AUG2023	MR IG



SCALE 1:1  
3-DIMENSIONAL VIEW

CONTACT SIZE	MIN. INSUL. O.D.	MAX. INSUL. O.D.	WIRE RANGE [mm <sup>2</sup> ]
16	.088 [2.23]	.145 [3.68]	14-20 AWG [2.0-0.5]

7. SECONDARY WEDGE LOCK SOLD SEPARATELY: W12P-XXXX. (XXXX = ALL MODIFICATIONS)

6. RECOMMENDED SCREW: 6-32 [M4]. RECOMMENDED TORQUE: 20-25 IN-LB [2.26-2.82 Nm].

5. MATERIAL - HOUSING: PA66 GF15 GROMMET: VMQ (ORANGE RED)

4. THIS RECEPTACLE MATES WITH DT06-12SA-XXXX PLUG. (A KEY; XXXX = ALL MODIFICATIONS) CONSULT FACTORY FOR MODIFICATIONS.

3. FOR CONTACT AND WIRE PERFORMANCE AND APPLICATION CHARACTERISTICS, SEE ENVELOPE DRAWING 0425-015-0000.

2. DELETED

NOTES : 1. DELETED

THIS DRAWING IS A CONTROLLED DOCUMENT.		DWN S THELS 29APR1999	TE Connectivity	
DIMENSIONS: INCHES [MM]		CHK R MCCORD 14MAY2010		
TOLERANCES UNLESS OTHERWISE SPECIFIED:		APVD S BEARD 04MAY2010	NAME 12 WAY RECEPTACLE LE14 MOD	
0 PLC ±	1 PLC ±	PRODUCT SPEC 108-151009	COLOR: BLACK -A- KEY ARR.	
2 PLC ±	3 PLC ±.025 [0.64]	APPLICATION SPEC 114-151009	DT SERIES	
4 PLC ±	ANGLES ±0°30'0"	WEIGHT -	SIZE A2	CAGE CODE 00779
MATERIAL 5	FINISH -	CUSTOMER DRAWING	DRAWING NO. DT04-12PA-LE14	RESTRICTED TO
			SCALE 2:1	SHEET 1 OF 1
			REV B2	