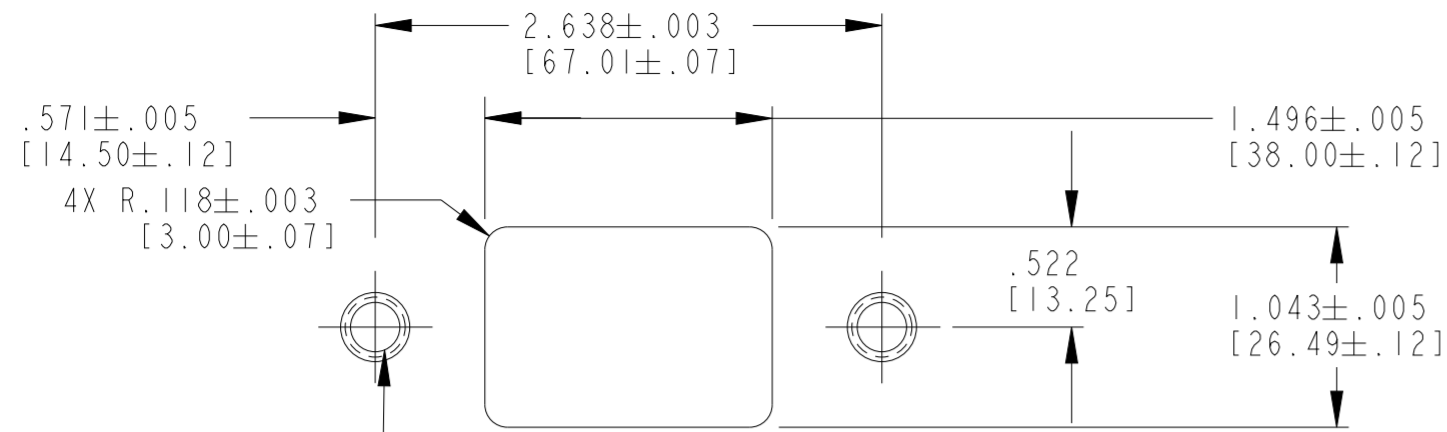
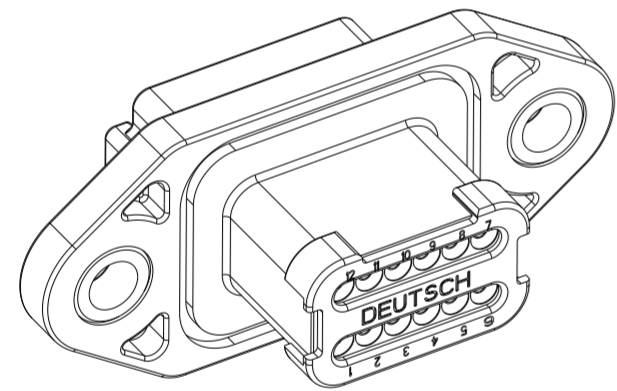
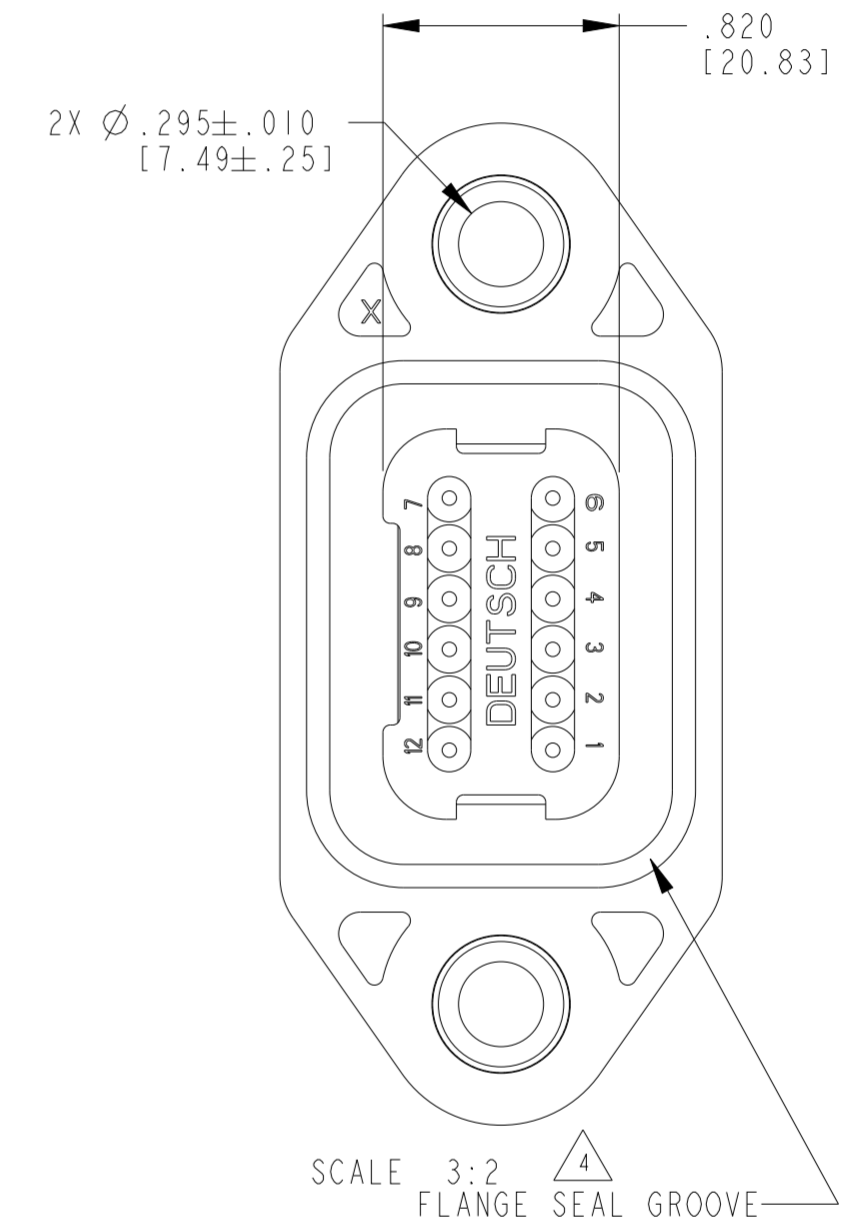
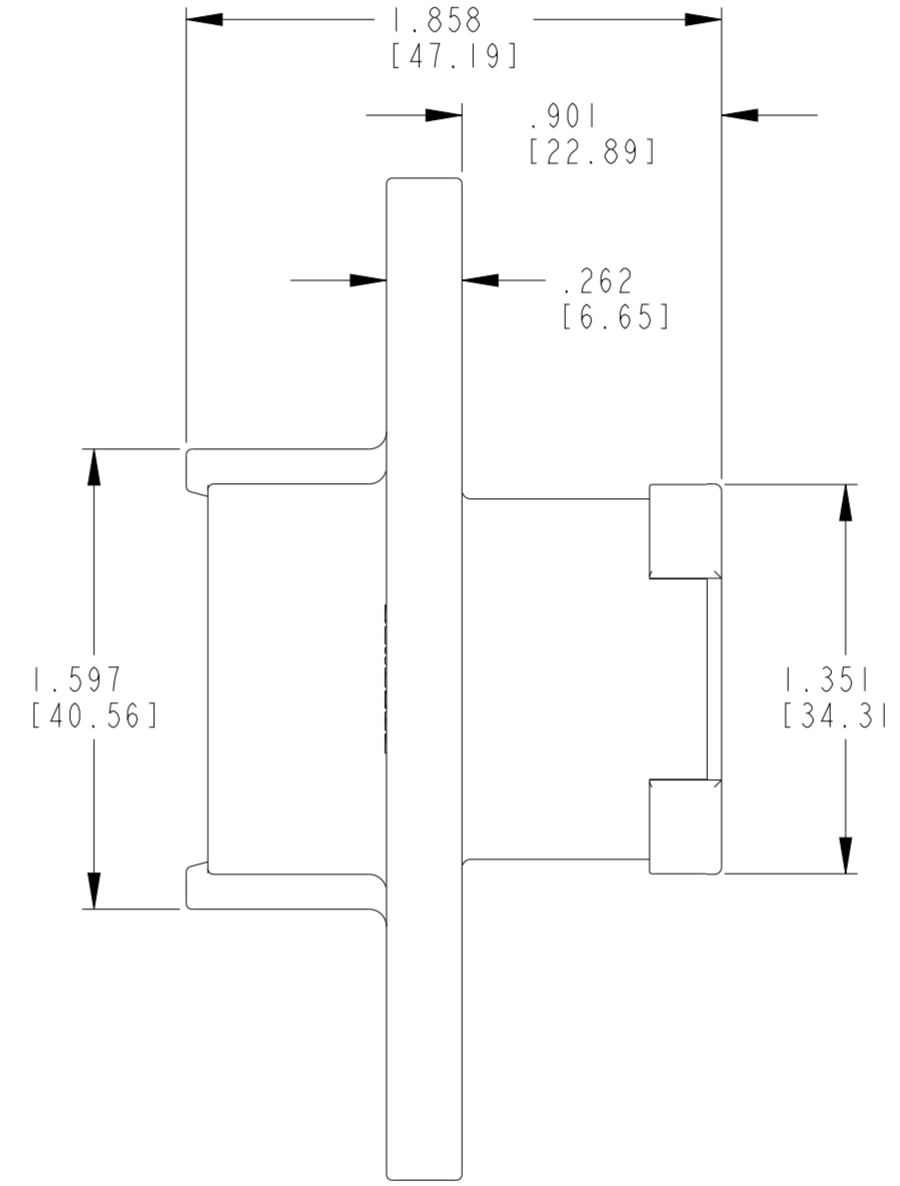
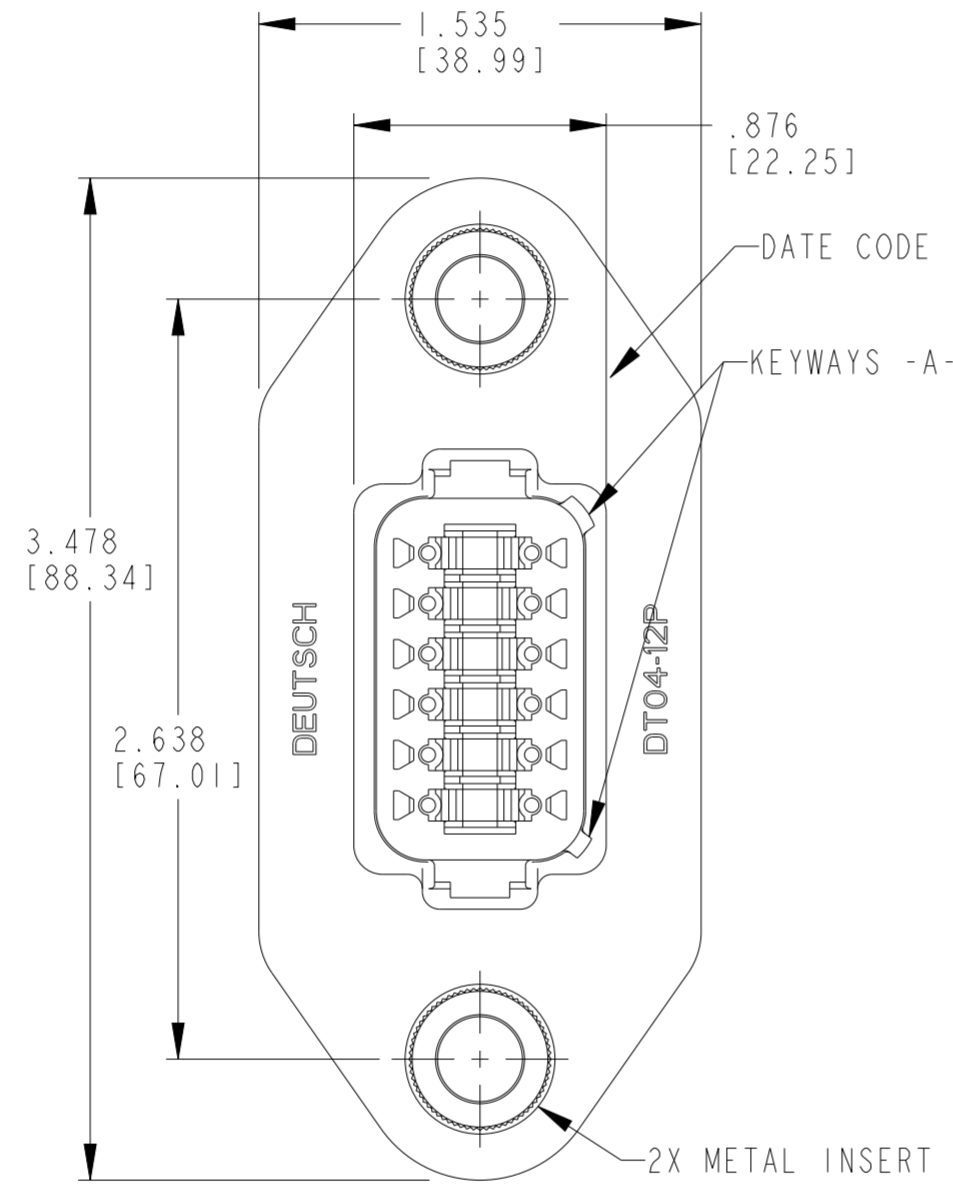


REVISIONS					
P	LTR	DESCRIPTION	DATE	DWN	APVD
C		REVISED PER E.O. A13805	05/12/92	-	J. A.
D		REVISED PER E.O. P19065	07/06/06	-	RDR
E		REVISED PER E.O. P20545	09/30/10	-	SB
F		REVISED PER PCN-23-192205	05FEB2024	RK	CB



RECOMMENDED MOUNTING DETAIL

2X DRILL AND TAP BLIND HOLE FOR 1/4-20 FASTENER



CONTACT SIZE	MIN. INSUL. O.D.	MAX. INSUL. O.D.	WIRE RANGE [mm <sup>2</sup> ] REF ONLY
16	.088 [2.24]	.145 [3.68]	14-20 AWG [2.0-0.5]

4. FLANGE SEAL, P/N: 1013-003-1206, SUPPLIED SEPARATELY.

3. MATERIAL: SHELL: PA66 GF15 (GRAY)  
WELD CAP: PA66 GF15 (BLACK)  
GROMMET: VMO (RED-ORANGE)  
INSERTS: STAINLESS STEEL

2. THIS RECEPTACLE MATES WITH THE DT06-12SA-XXXX PLUG. (XXXX ALL MODIFICATIONS). CONSULT FACTORY FOR MODIFICATIONS.

1. FOR CONTACTS AND WIRE PERFORMANCE AND APPLICATION CHARACTERISTICS SEE ENVELOPE DRAWING 0425-015-0000 AND 0425-017-0000.

NOTES:

THIS DRAWING IS A CONTROLLED DOCUMENT.		DWN A. MALAGON 26SEP05	TE Connectivity	
DIMENSIONS: IN [mm]		CHK B. BYEORS 08/04/10		
TOLERANCES UNLESS OTHERWISE SPECIFIED:		APVD S. BEARD 08/02/10	NAME 12 WAY RECEPTACLE KEY ARR. -A-LE03 MOD, COLOR:GREY DT SERIES	
0 PLC ±-		PRODUCT SPEC 108-151009	SIZE A2	
1 PLC ±-		APPLICATION SPEC 114-151009	CAGE CODE 00779	DRAWING NO DT04-12PA-LE03
2 PLC ±-		WEIGHT -	RESTRICTED TO -	
3 PLC ±.025 [.064]		CUSTOMER DRAWING; RESTRICTED CUSTOMER		
4 PLC ±-		SCALE 1:1	SHEET OF	REV F
ANGLES ±-				
FINISH -				