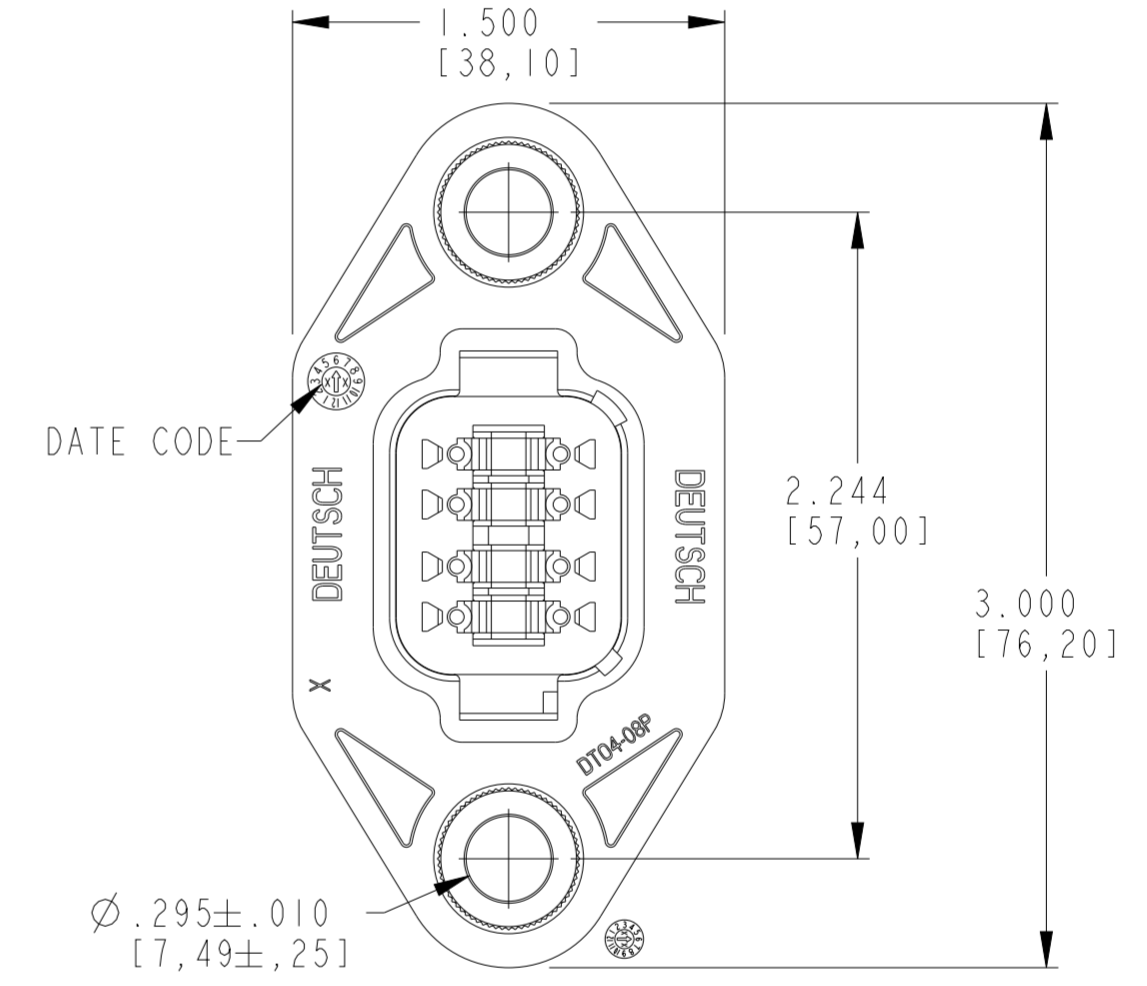
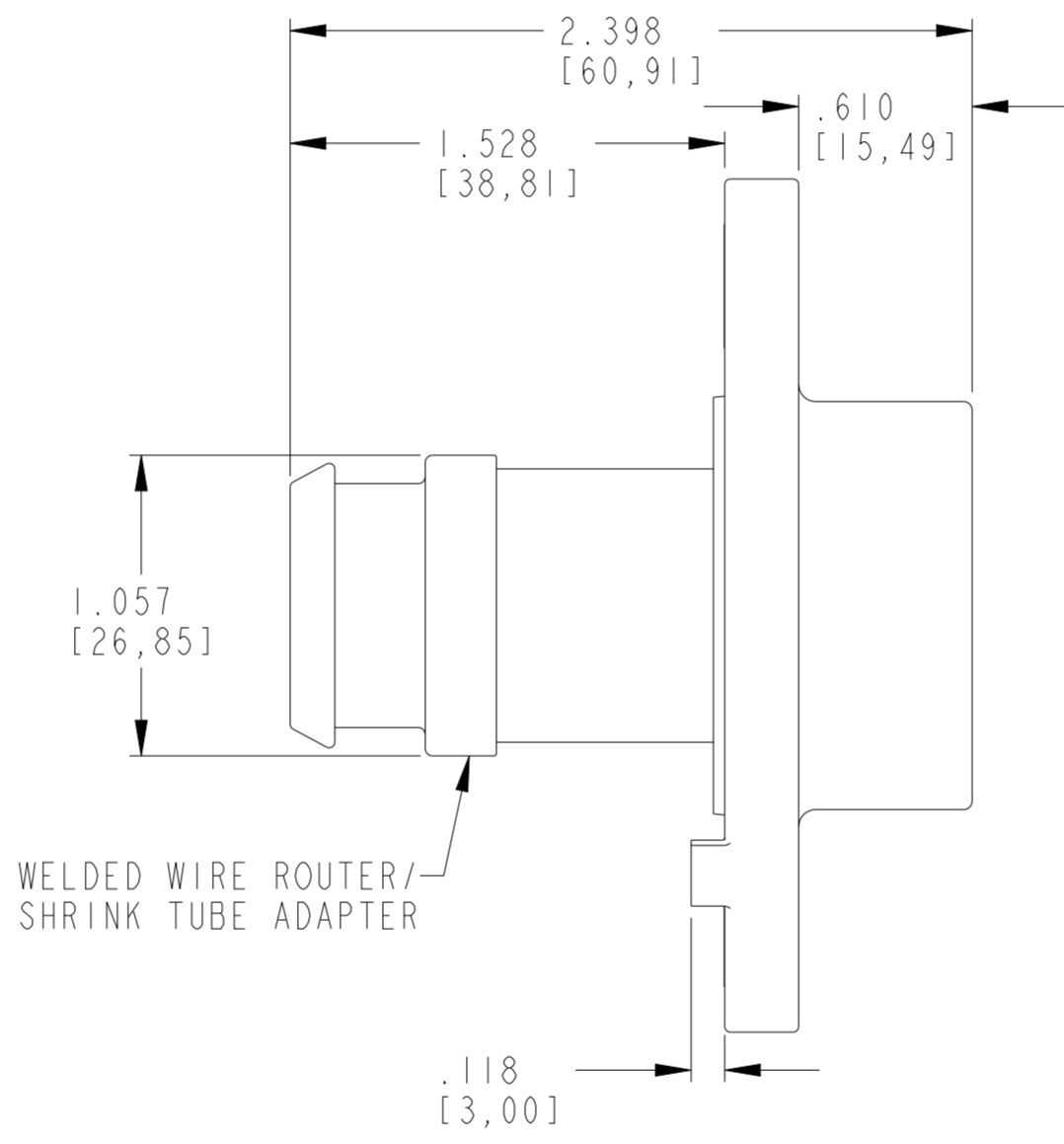
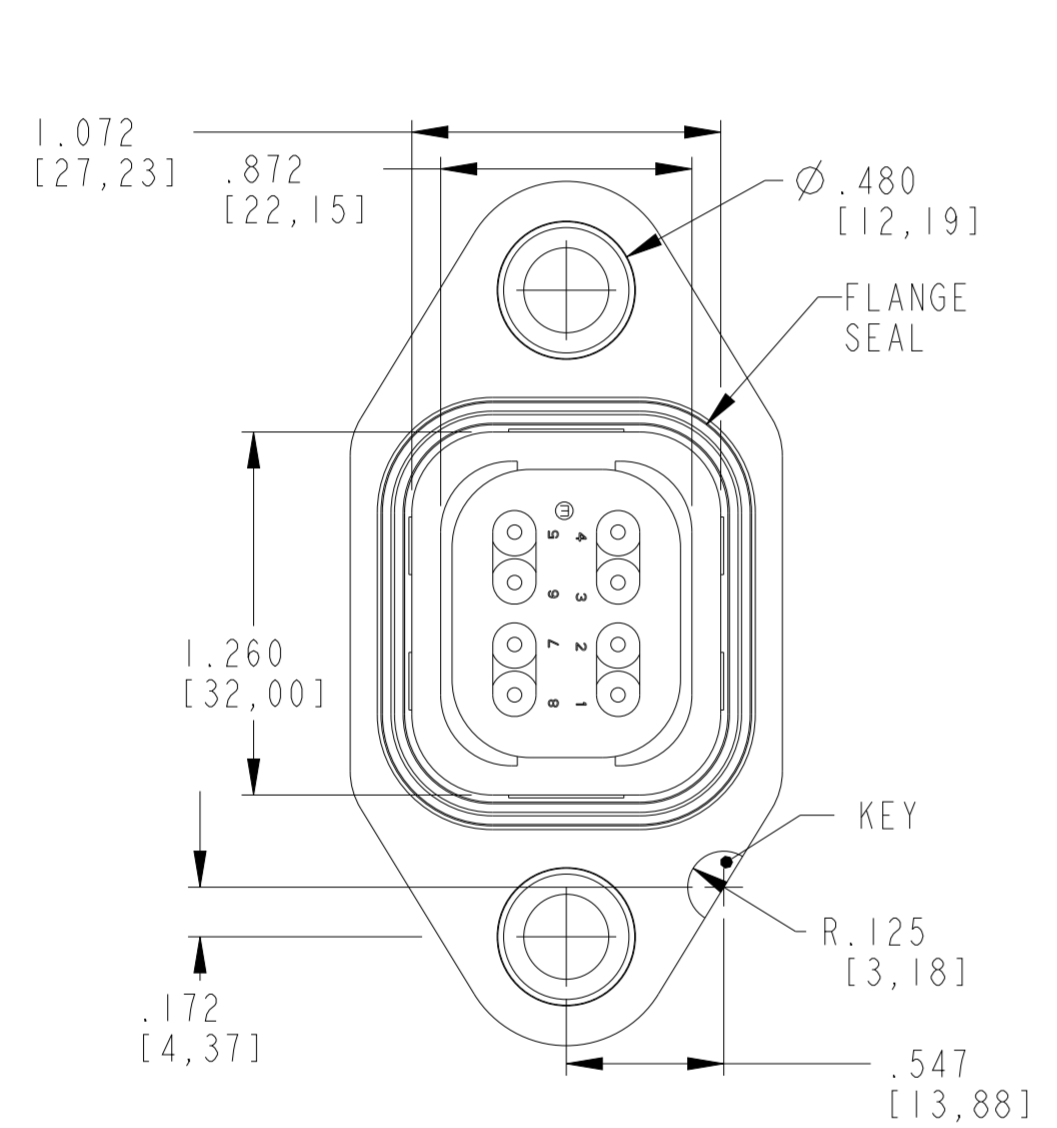
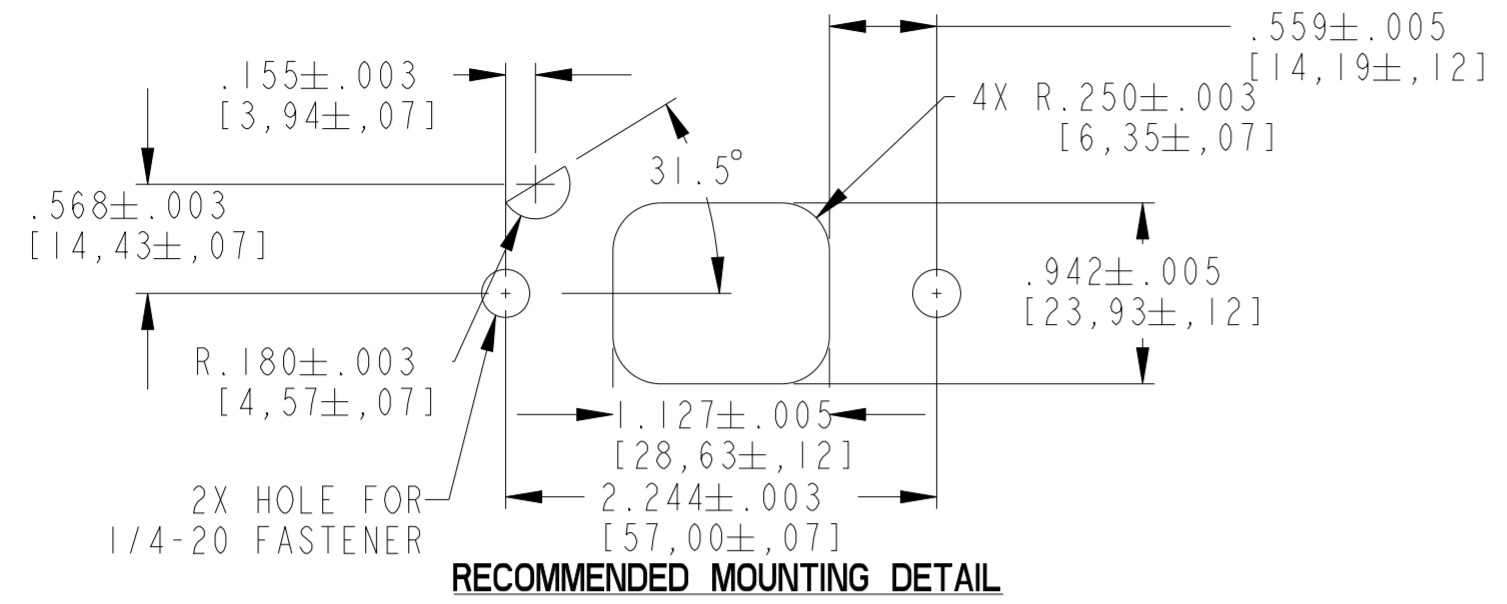


REVISIONS					
P	LTR	DESCRIPTION	DATE	DWN	APVD
C		REVISED PER E.O. P20483	05/28/10	-	RDR
D		RELEASE PER E.O. P20553	07/21/10	-	RDR
E		REVISED PER E.O. P20766	01/21/11	-	RDR
F		REVISED PER PCN-23-192205	05FEB2024	RK	CB



CONTACT SIZE	MIN. INSUL. O.D.	MAX. INSUL. O.D.	WIRE RANGE [mm ²] REF ONLY ^Δ
16	.088 [2.23]	.145 [3.68]	14-20 AWG (2.0-0.5)

³ MATERIAL: SHELL: PA66 GF15 (GRAY)
 WELD CAP: PA66 GF15 (BLACK)
 GROMMET: VMO (RED-ORANGE)
 INSERTS: STAINLESS STEEL

2. THIS RECEPTACLE MATES WITH THE DT06-08SA-XXXX PLUG. (XXXX ALL MODIFICATIONS). CONSULT FACTORY FOR MODIFICATIONS.

¹ FOR CONTACTS AND WIRE PERFORMANCE AND APPLICATION CHARACTERISTICS SEE ENVELOPE DRAWING 0425-015-0000 AND 0425-017-0000.

THIS DRAWING IS A CONTROLLED DOCUMENT.		DWN S. THEIS 10/9/98	STE TE Connectivity	
DIMENSIONS: IN [mm]		CHK - 1/2/2011		
TOLERANCES UNLESS OTHERWISE SPECIFIED:		APVD - 1/14/11	NAME 8 WAY RECEPTACLE FLANGED CONNECTOR -LE03 MOD, DT SERIES	
0 PLC ±		PRODUCT SPEC 108-151009	SIZE CAGE CODE DRAWING NO RESTRICTED TO	
1 PLC ±		APPLICATION SPEC 114-151009	A2 00779 C-DT04-08PA-LE03	
2 PLC ±		WEIGHT -	SCALE 1.5: SHEET 1 OF 1 REV F	
3 PLC ±.025 [0.64]		CUSTOMER DRAWING		
4 PLC ±				
ANGLES ±				
FINISH -				
MATERIAL ³				