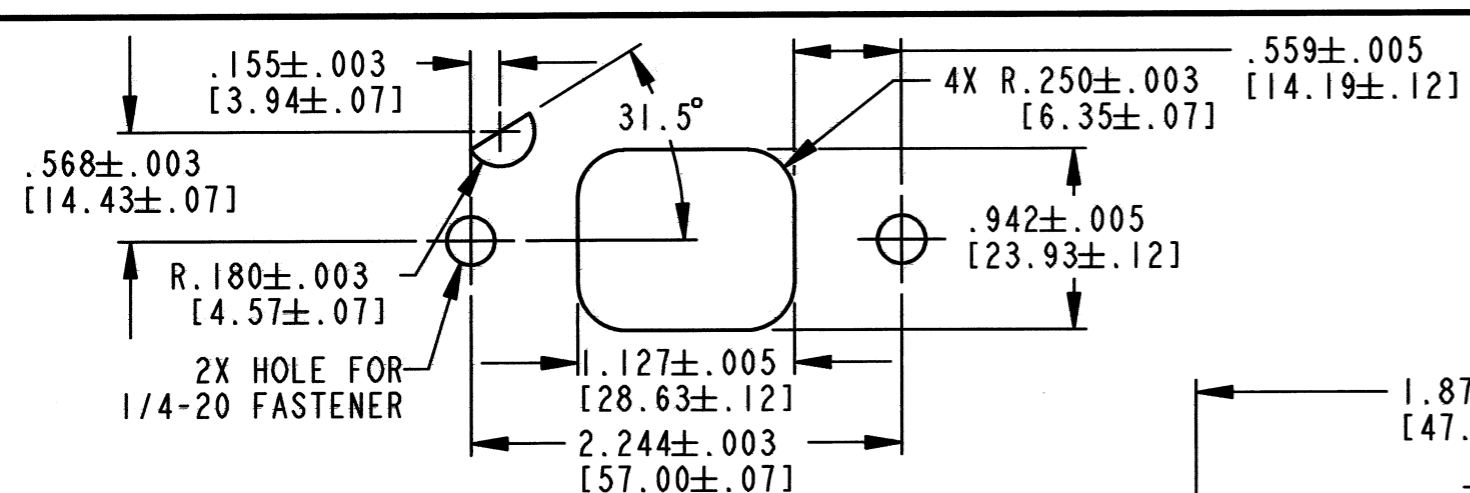
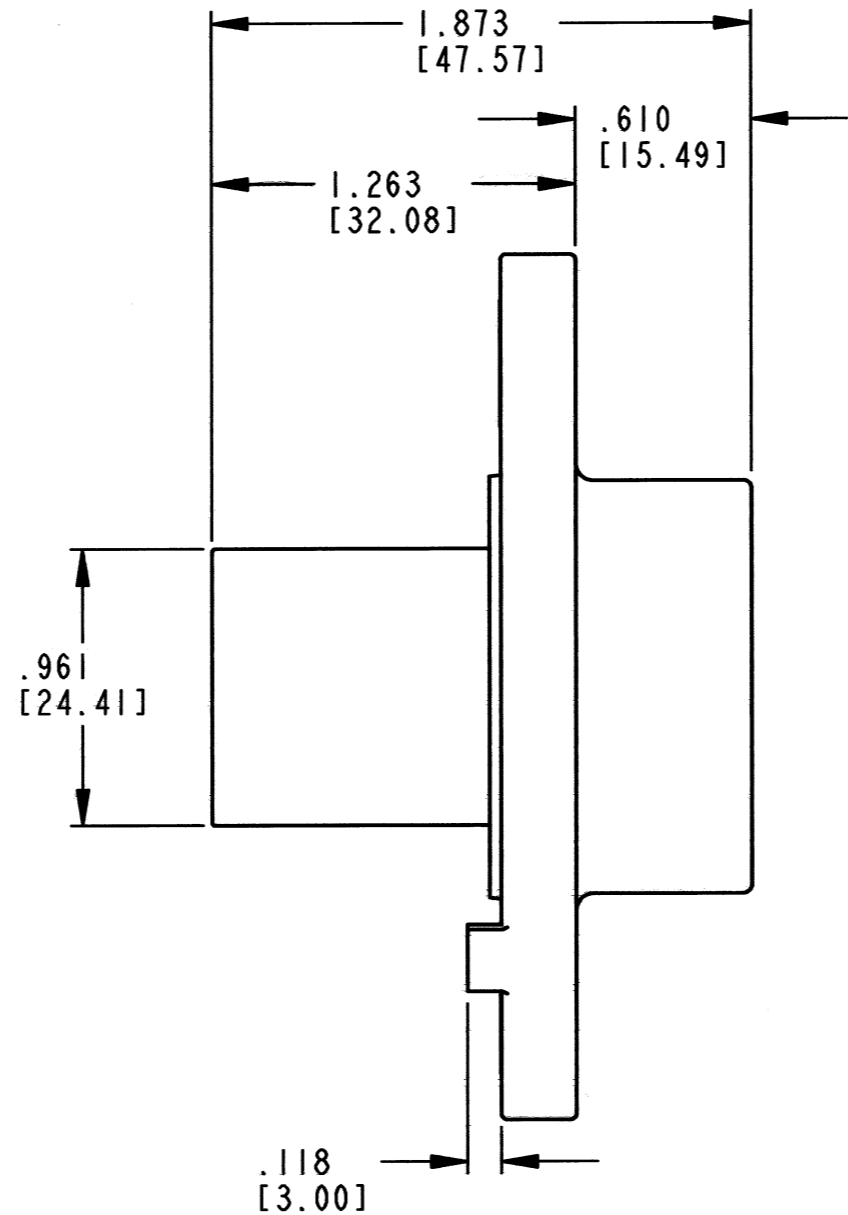
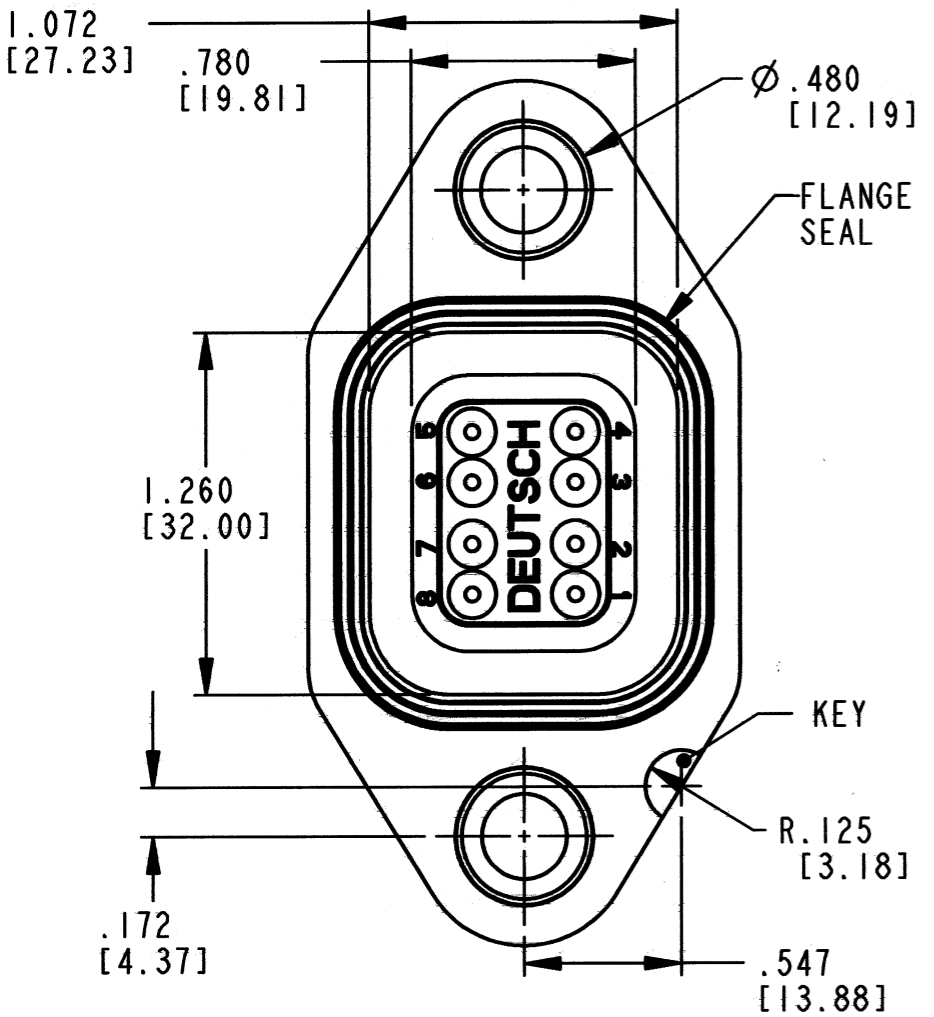


REV NC DT04-08PA-L022

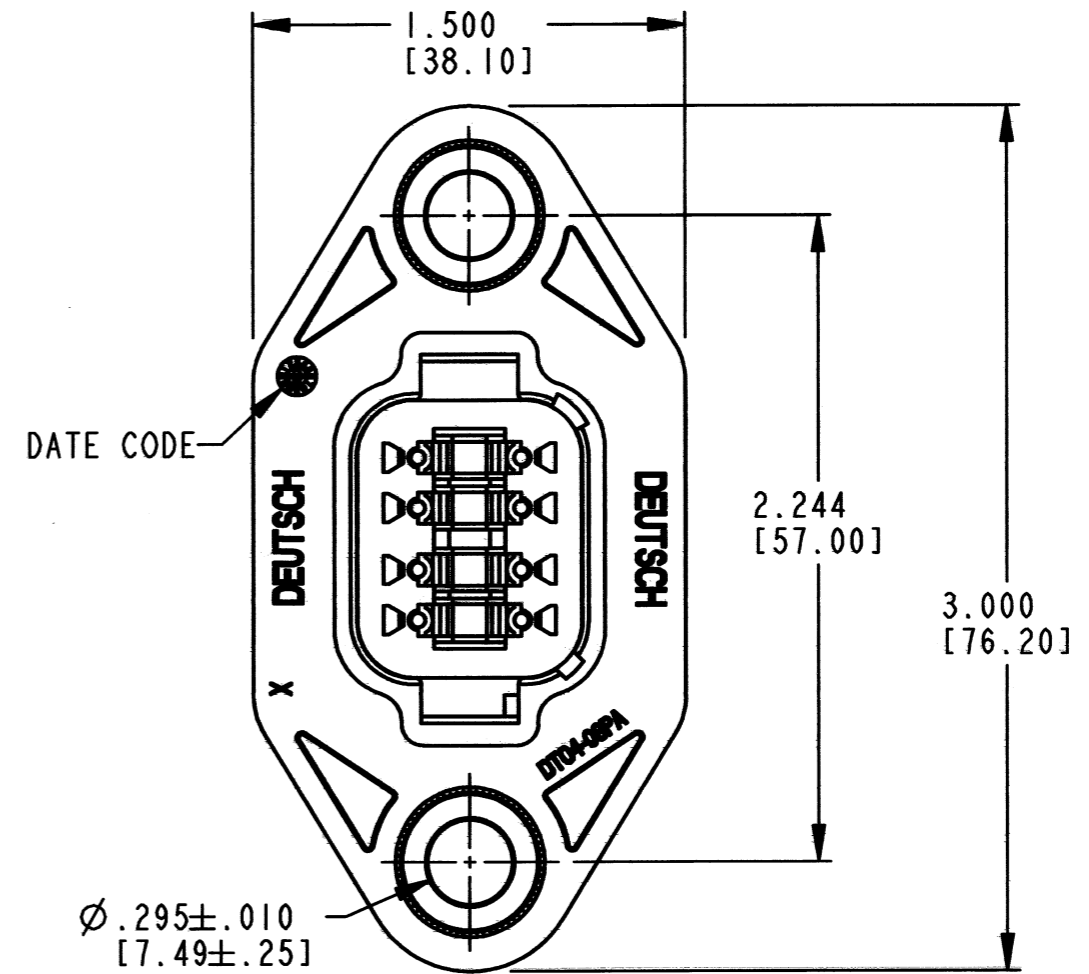
REVISIONS			
SYM	DESCRIPTION	DATE	APPROVED
NC	NEW RELEASE PER E.O. P21016	7-7-11	RDR



RECOMMENDED MOUNTING DETAIL



CONTACT SIZE	MIN. INSUL. O.D.	MAX. INSUL. O.D.	WIRE RANGE [mm <sup>2</sup> ] REF ONLY
16	.088 [2.23]	.145 [3.68]	14-20 AWG (2.0-0.5)



- 5. MATERIAL: SHELL: PLASTIC; GROMMET: RUBBER
- 4. THIS RECEPTACLE MATES WITH THE DT06-08SA-\*\*\*\* PLUG. (\*\*\*\* ALL MODIFICATIONS). CONSULT FACTORY FOR MODIFICATIONS.

3. FOR CONTACTS AND WIRE PERFORMANCE AND APPLICATION CHARACTERISTICS SEE ENVELOPE DRAWING 0425-015-0000 AND 0425-017-0000.

- 2. DIMENSIONS ARE ±.025 [0.64] UNLESS OTHERWISE SPECIFIED.
- 1. DIMENSIONS ARE IN INCHES [MILLIMETERS].

NOTES:

SIGNATURE & DATE	
DR	A. MALAGON 06 JUL 11
CHK	B. Syford 7/6/2011
PE	R. Messinger 7/6/11
APPD	S. Beard 7-6-11
SCALE	NONE WT

8 WAY RECEPTACLE  
FLANGED CONNECTOR  
DT SERIES

ENVELOPE

EP	MATL. CODE
3850 INDUSTRIAL AVE. HEMET, CA 92545	
DEUTSCH INDUSTRIAL	
<b>B</b> DT04-08PA-L022	
DWG SIZE	CODE 11139 SHEET   OF