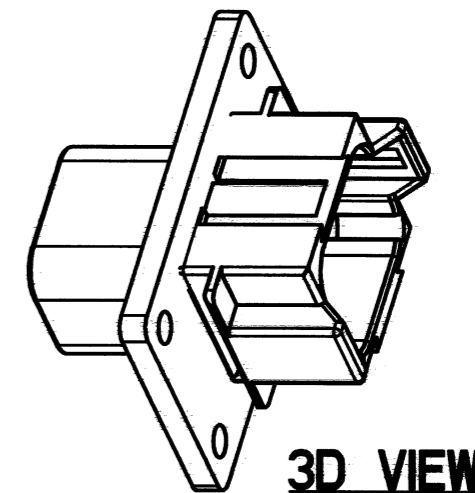


DATE CODE: MONTH IS REPRESENTED BY SEQUENTIAL ALPHA CHARACTERS.
EX: A = JANUARY



DATE CODE: YEAR IS REPRESENTED BY LAST NUMERICAL DIGIT. EX: 0 = 2010

REV C DT04-08PA-CL03

REVISIONS			
SYM	DESCRIPTION	DATE	APPROVED
NC	NEW RELEASE PER E.O. PI8355	10/29/03	R.D.R.
A	REVISED PER E.O. PI9710	1/22/08	R.D.R.
B	REVISED PER E.O. P20483	5/28/10	R.D.R.
C	REVISED PER E.O. P21051	8-1-11	RDR

CONTACT SIZE	MIN. INSUL O.D.	MAX. INSUL O.D.	WIRE RANGE [mm ²] ³
16	.053 [1.35]	.120 [3.05]	14-20 AWG [2.0-0.5]

- 5. MATERIAL - SHELL: PLASTIC; SEAL: RUBBER
- 4. THIS RECEPTACLE MATES WITH DT06-08SA-**** PLUG (**** = ALL MODIFICATIONS). CONSULT FACTORY FOR MODIFICATIONS.

³ FOR CONTACTS AND WIRE PERFORMANCE AND APPLICATION CHARACTERISTICS SEE ENVELOPE DRAWING 0425-015-0000 AND 0425-017-0000.

2. DIMENSIONS ARE ±.025[0.64] UNLESS OTHERWISE SPECIFIED.

NOTES: 1. DIMENSIONS ARE IN INCHES [MILLIMETERS].

SIGNATURE & DATE	
DR	X. SANCHEZ 15OCT03
CHK	[Signature] 7/29/11
PE	[Signature] 7/29/11
APPD	[Signature] 7/28/11
SCALE	NONE WT

8 WAY RECEPTACLE WITH FLANGE
COLOR: GRAY
DT SERIES

ENVELOPE

EP	MATL. CODE
3850 INDUSTRIAL AVE. HEMET, CA 92545	
B DT04-08PA-CL03	
DWG SIZE 11139	SHEET OF