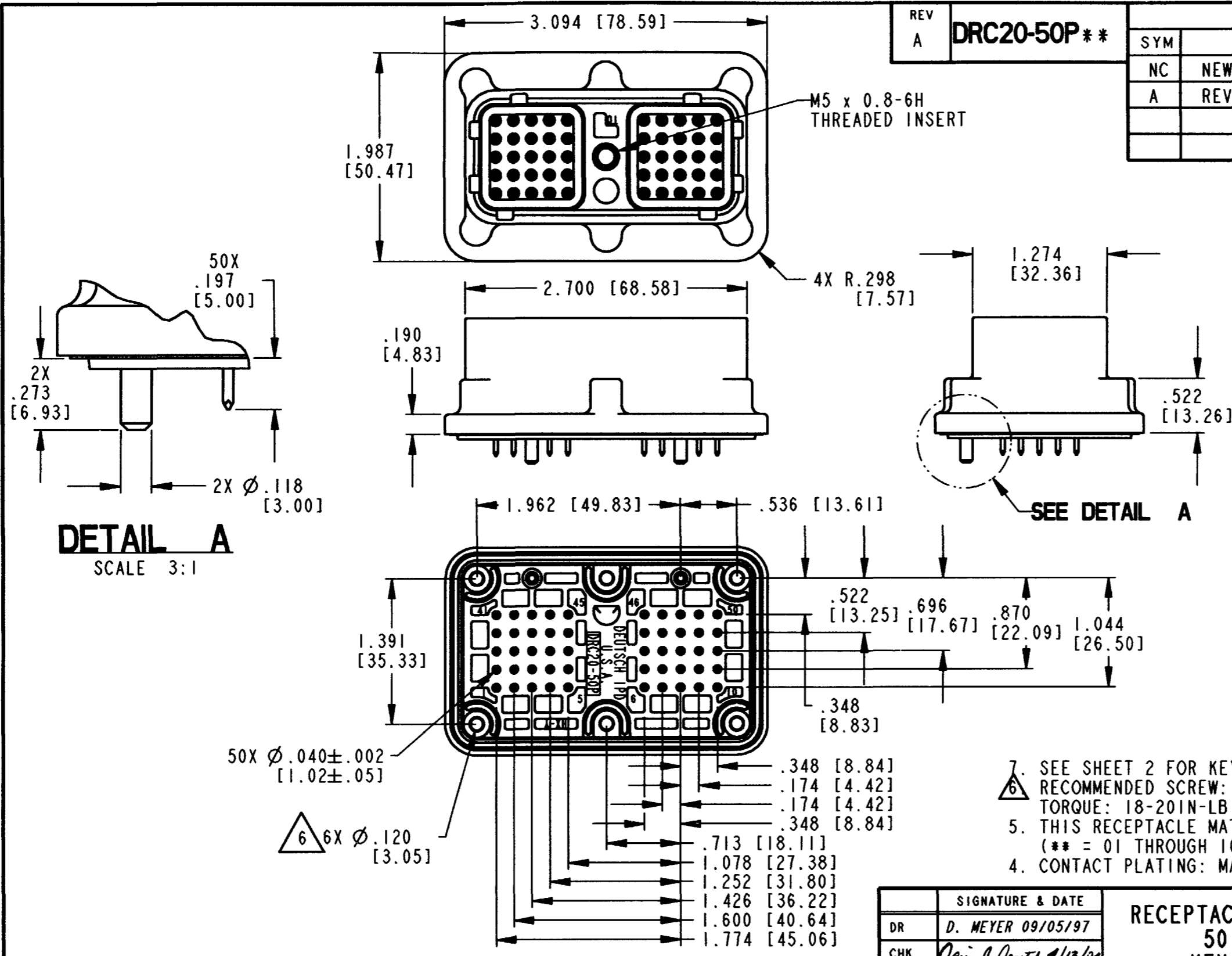


REV A  
DRC20-50P\*\*

REVISIONS			
SYM	DESCRIPTION	DATE	APPROVED
NC	NEW RELEASE PER E.O. P15419	9-15-97	RDR
A	REVISED PER E.O. P 18554	9-15-09	RDR



**DETAIL A**  
SCALE 3:1

- SEE SHEET 2 FOR KEY ARRANGEMENTS AND RECOMMENDED PANEL CUTOUT.
- RECOMMENDED SCREW: 6-19 [M3.63x1.34] THREAD FORMING SCREW.  
TORQUE: 18-20 IN-LB [2.03-2.26 Nm]
- THIS RECEPTACLE MATES WITH DRC26-50S\*\*-\*\*\*\* PLUG.  
(\*\* = 01 THROUGH 10 KEYS, \*\*\*\* = ALL MODIFICATIONS.)
- CONTACT PLATING: MATING SIDE - GOLD, PCB SIDE - TIN.

NOTES:  
1. DIMENSIONS ARE IN INCHES [mm].  
2. DIMENSION TOLERANCE: ±.025 [.64]; PANEL CUTOUT: ±.010 [.25].  
3. MATERIAL - PLASTIC (BLACK), INSERT - STEEL, SEALS - RUBBER.  
UNLESS OTHERWISE SPECIFIED.

SIGNATURE & DATE	
DR	D. MEYER 09/05/97
CHK	<i>Dominic J. Spitzer</i> 1/13/09
PE	<i>Vladimir Tomsic</i> APR-12-04
APPD	<i>D. Meyer</i> 1/12/04
SCALE	NONE

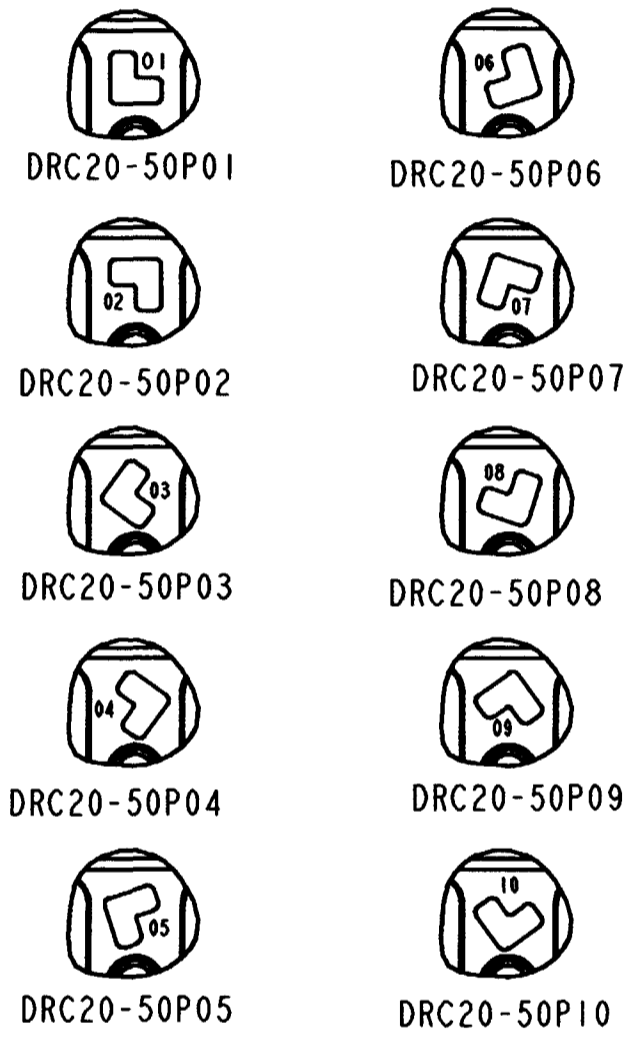
RECEPTACLE, PCB MOUNT  
50 PIN #20  
KEYING 01-10  
DRC SERIES

ENVELOPE

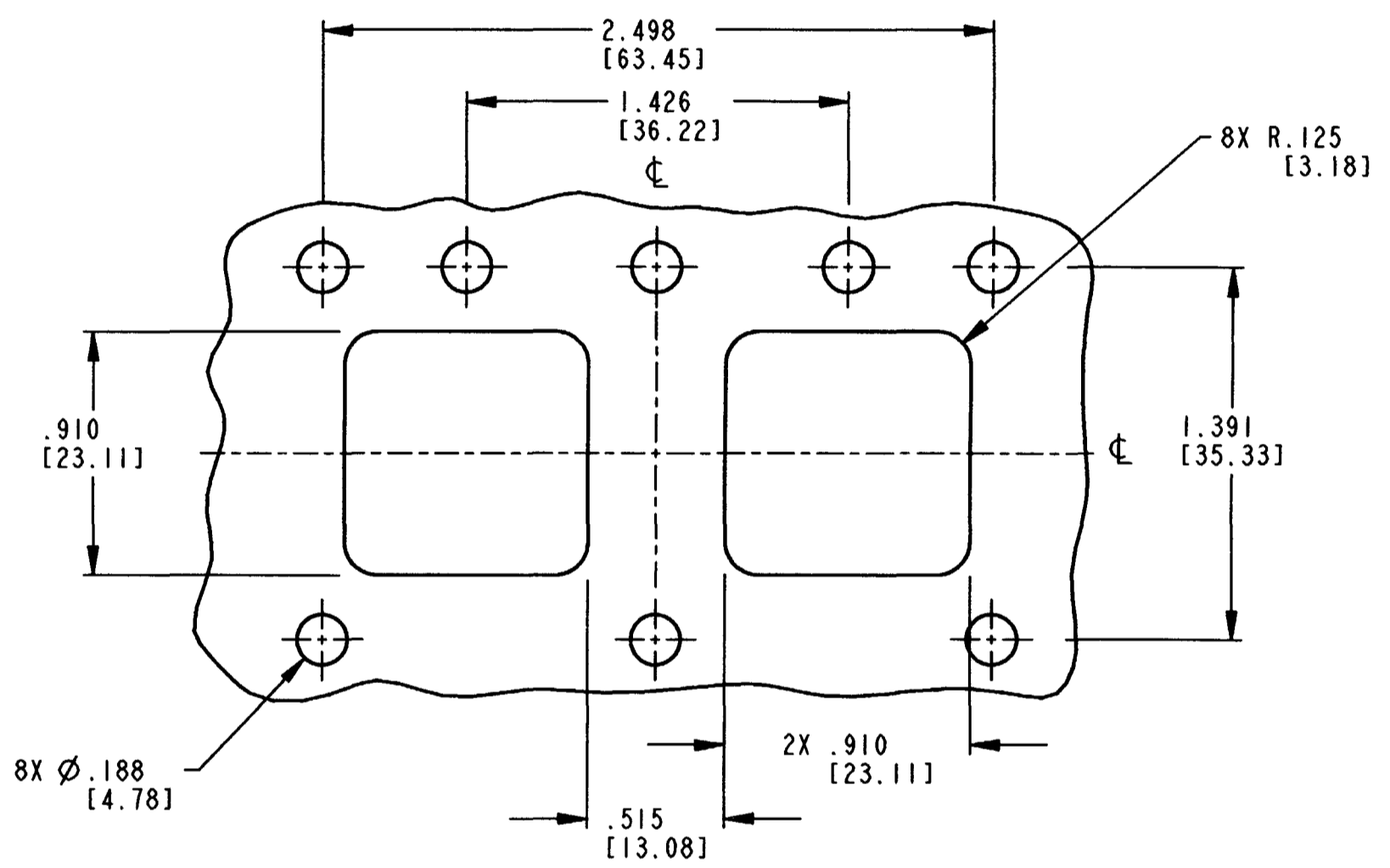
CP	MATL. CODE
<b>The Deutsch Company</b> DEUTSCH I.P.D. 3850 INDUSTRIAL AVE. HEMET, CALIF. 92545	
<b>B</b> DRC20-50P**	
DWG SIZE	CODE 11139 SHEET 1 OF 2

REV  
A  
**DRC20-50P\*\***

REVISIONS			
SYM	DESCRIPTION	DATE	APPROVED
	SEE SHEET 1	4-13-04	RDR



\*\* = KEYING ARRANGEMENTS



**RECOMMENDED PANEL CUTOUT**

THICKNESS: .080 [2.0]

NOTES:

SIGNATURE & DATE		RECEPTACLE, PCB MOUNT 50 PIN #20 KEYING 01-10 DRC SERIES	CP	MATL. CODE
DR	D. MEYER 09/05/97		The Deutch Company DEUTSCH I.P.D. 3850 INDUSTRIAL AVE. HEMET, CALIF. 92545	
CHK	<i>James C. Gentry 4/13/04</i>		<b>B</b> DRC20-50P** <small>DWG SIZE</small> CODE 11139 SHEET 2 OF 2	
PE	<i>Madeline Thomas APR-12-04</i>			
APPD	<i>D. Meyer 4/12/04</i>	ENVELOPE		
SCALE	NONE			