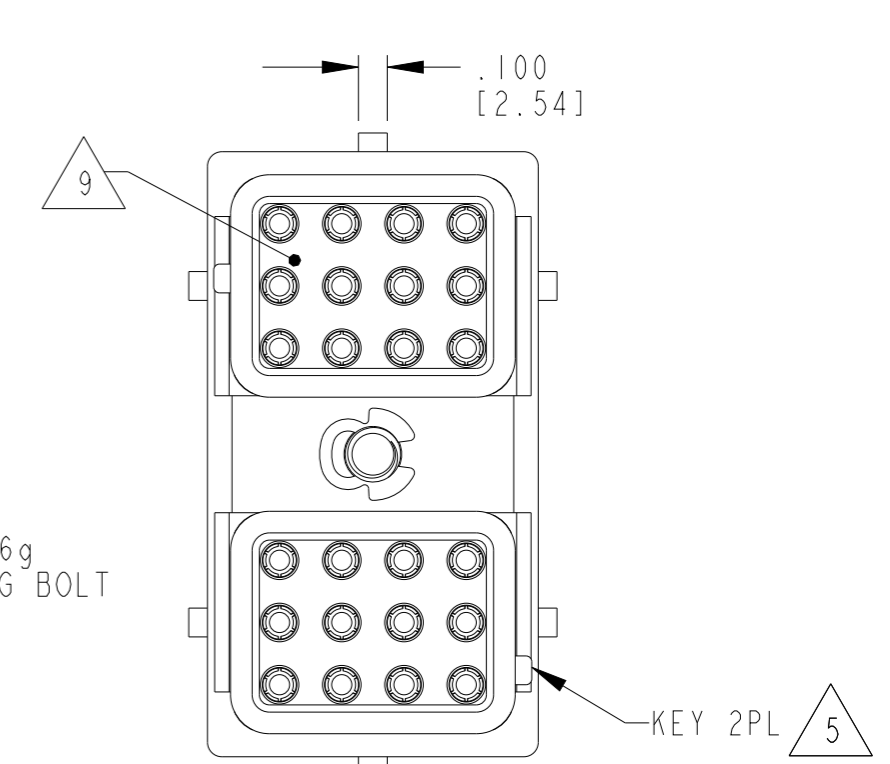
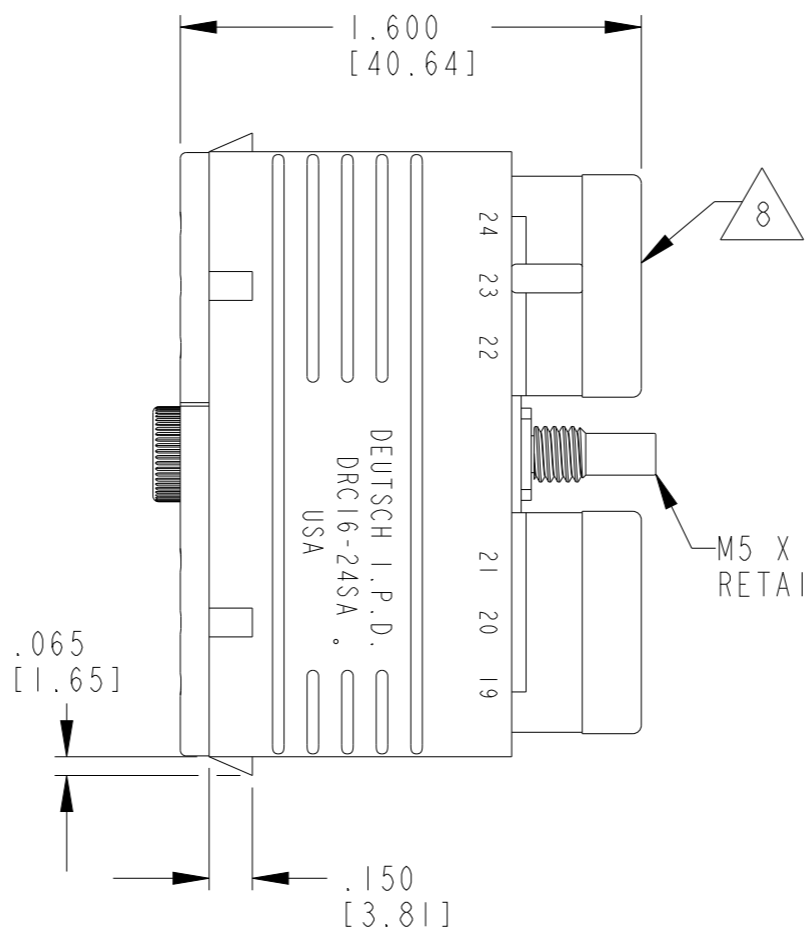
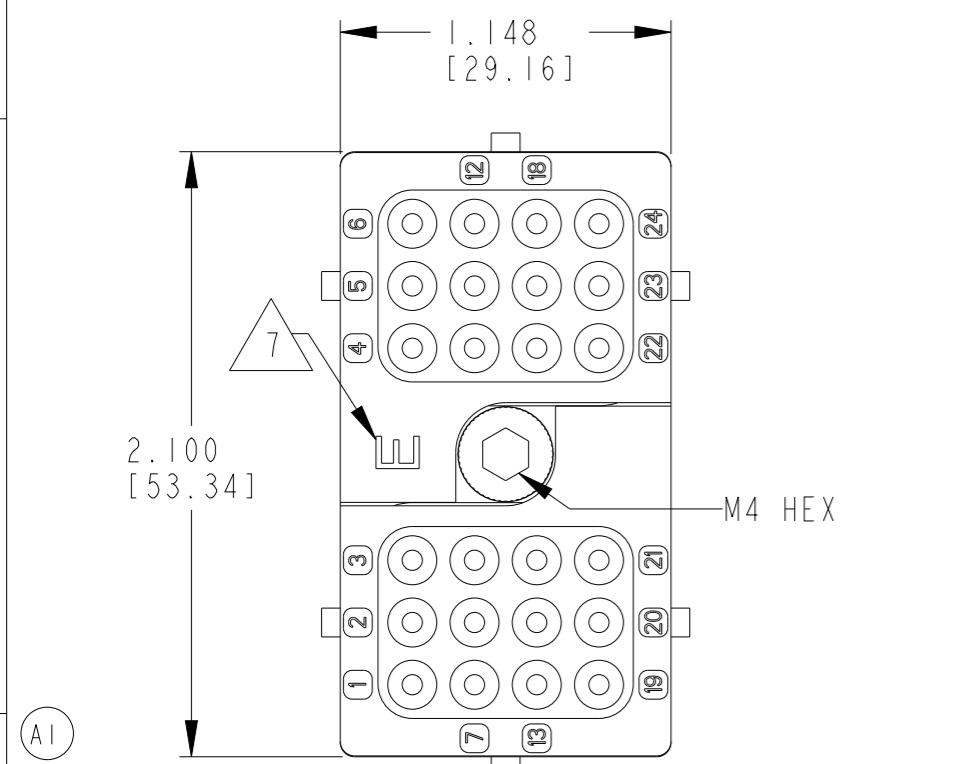


THIS DRAWING IS UNPUBLISHED. RELEASED FOR PUBLICATION 2018
 © COPYRIGHT 2018 BY -TE CONNECTIVITY ALL RIGHTS RESERVED.

REVISIONS					
P	LTR	DESCRIPTION	DATE	DWN	APVD
	A	REVISED PER PCN E-18-009438	14JUN2018	SS	DM
	A1	REVISED PER PCN-24-216230	17JUL2024	RK	CB

MIN. INSUL. O.D.	MAX. INSUL. O.D.	WIRE RANGE [mm ²] REF ONLY
.053 [1.35]	.120 [3.05]	14-20 AWG [2.0-0.50]



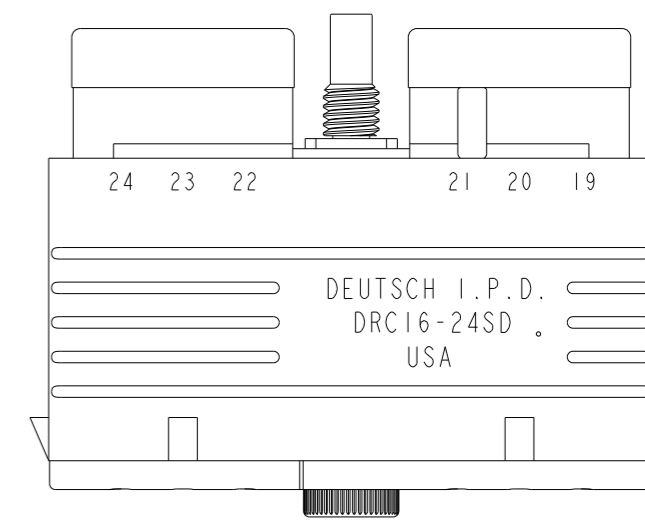
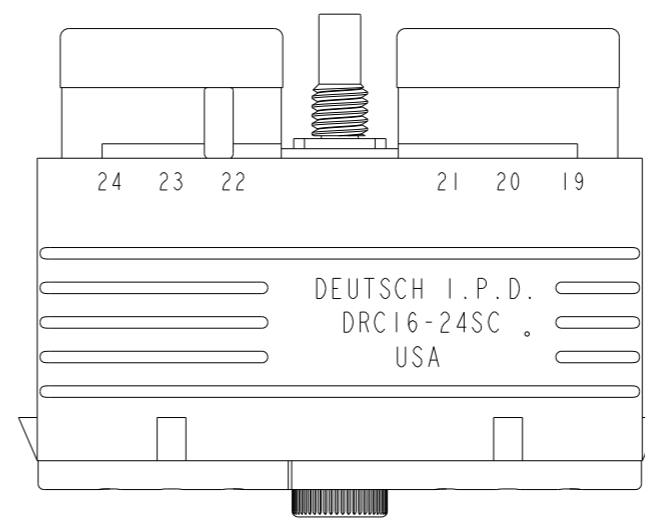
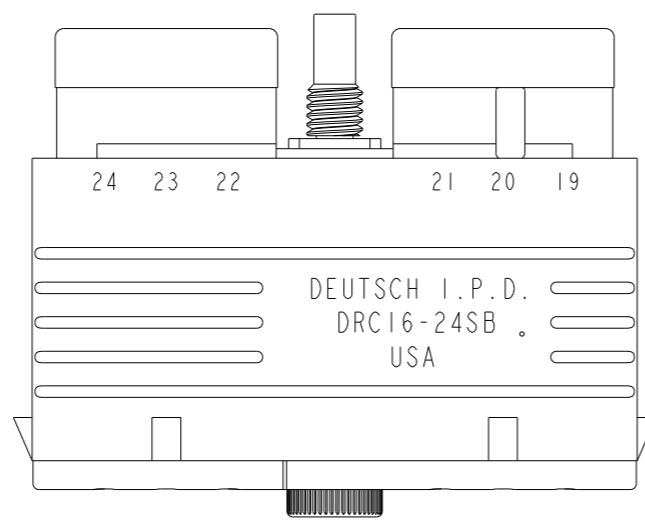
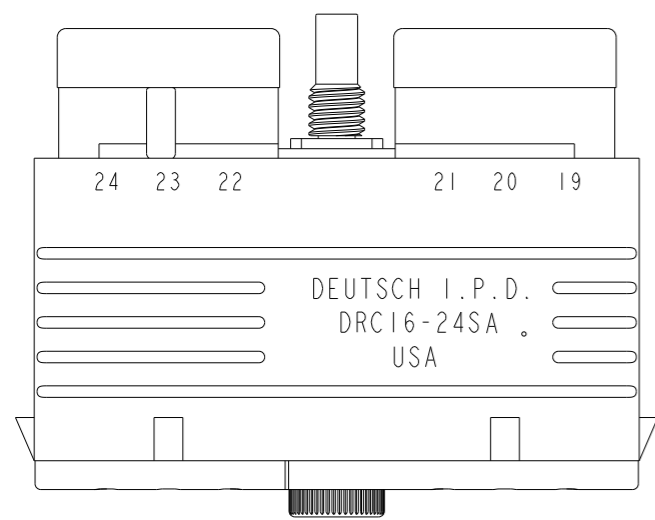
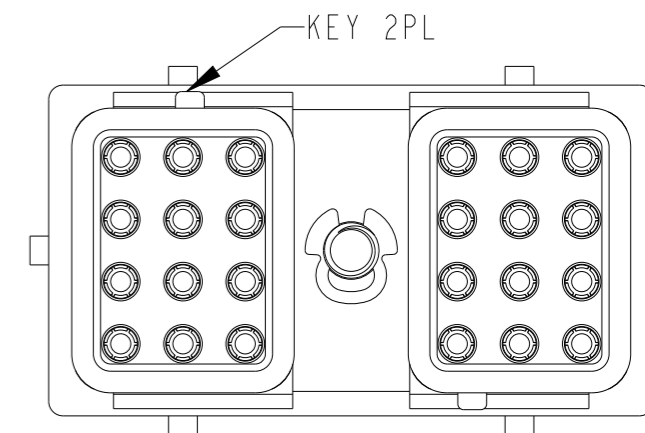
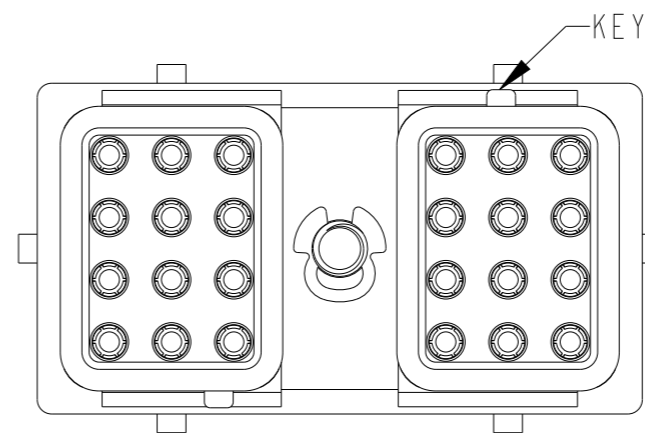
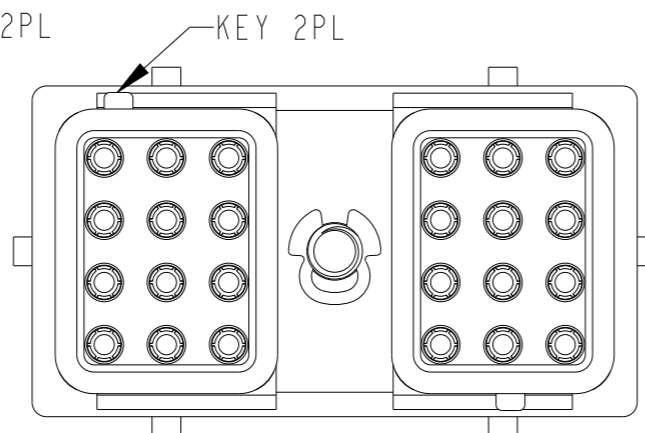
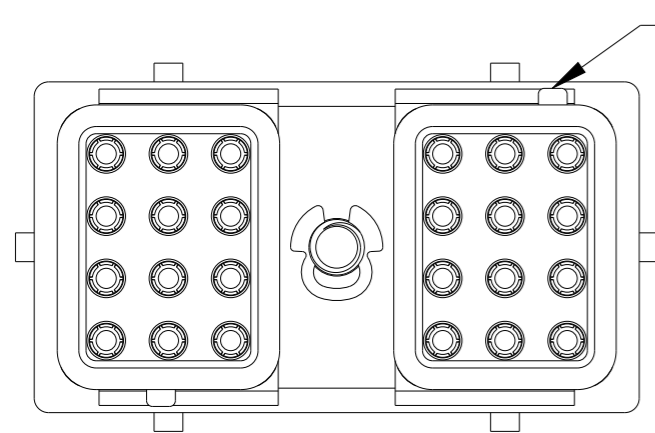
- 9. WEB SEAL HOLES MAY NOT BE COMPLETELY ALIGNED TO THE HOLES OF CONNECTOR BODY
 - 8. PART MODIFICATION: INTERFACE SEALS ARE BONDED TO PLUG
 - 7. E-SEAL IS IDENTIFIED BY LETTER "E" MARK.
 - 6. MATING TORQUE REQUIREMENT: 25-28 IN-LB [2.82-3.13 Nm].
 - 5. SEE SHEET 2 FOR OTHER KEY ARRANGEMENTS.
 - 4. MATERIAL- PLUG: PPS GF40 (BLACK)
SEAL/GROMMET: VMQ (RED-ORANGE)
CLIP: STEEL, UNPLATED
BOLT: STAINLESS STEEL WITH SILVER PLATING AND MAY TARNISH
 - 3. THIS PLUG MATES WITH DRC10-24PX-XXXX; DRC12-24PX-XXXX; DRC13-24PX-XXXX; AND DRC14-24PX-XXXX RECEPTACLE. (X=A,B,C,D KEYS; XXXX=ALL MODIFICATIONS). CONSULT FACTORY FOR MODS.
 - 2. FOR CONTACTS AND WIRE PERFORMANCE AND APPLICATION CHARACTERISTICS, SEE ENVELOPE DRAWING 0425-015-0000.
 - 1. PLUG SUPPLIED WITH DUST CAP. PN 0515-005-2405 (NOT SHOWN).
- NOTES: UNLESS OTHERWISE SPECIFIED

TE INTERNAL PN	DEUTSCH PN
DRC16-24SAE-P013	DRC16-24SAE-P013
DRC16-24SBE-P013	DRC16-24SBE-P013
DRC16-24SCE-P013	DRC16-24SCE-P013
DRC16-24SDE-P013	DRC16-24SDE-P013

THIS DRAWING IS A CONTROLLED DOCUMENT.		DWN D.MEYER 08APR2002														
DIMENSIONS: INCHES [mm]		CHK D.MEYER 08APR2002														
TOLERANCES UNLESS OTHERWISE SPECIFIED:		APVD R.REED 10APR2002														
<table border="0"> <tr><td>0 PLC</td><td>±</td></tr> <tr><td>1 PLC</td><td>±</td></tr> <tr><td>2 PLC</td><td>±</td></tr> <tr><td>3 PLC</td><td>±.025 [0.64]</td></tr> <tr><td>4 PLC</td><td>±</td></tr> <tr><td>ANGLES</td><td>±0°30'0"</td></tr> <tr><td>FINISH</td><td></td></tr> </table>		0 PLC			±	1 PLC	±	2 PLC	±	3 PLC	±.025 [0.64]	4 PLC	±	ANGLES	±0°30'0"	FINISH
0 PLC	±															
1 PLC	±															
2 PLC	±															
3 PLC	±.025 [0.64]															
4 PLC	±															
ANGLES	±0°30'0"															
FINISH																
MATERIAL		APPLICATION SPEC -	NAME PLUG 24 SIZE 16 KEYS: A,B,C,D E SEAL COLOR: BLACK DRC SERIES													
		WEIGHT -	SIZE A3	CAGE CODE 4AFU8												
		CUSTOMER DRAWING	DRAWING NO. DRC16-24SXE-P013	RESTRICTED TO -												
		SCALE 1.5:1	SHEET 1 OF 2	REV A1												

REVISIONS

P	LTR	DESCRIPTION	DATE	DWN	APVD
	-	SEE SHEET 1	-	-	-



DRC16-24SAE-P013
KEY: -A-

DRC16-24SBE-P013
KEY: -B-

DRC16-24SCE-P013
KEY: -C-

DRC16-24SDE-P013
KEY: -D-

THIS DRAWING IS A CONTROLLED DOCUMENT.		DWN D. MEYER 08APR2002		NAME PLUG 24 SIZE 16 KEYS: A,B,C,D E SEAL COLOR: BLACK DRC SERIES
DIMENSIONS: INCHES [mm]		CHK D. MEYER 08APR2002		
TOLERANCES UNLESS OTHERWISE SPECIFIED:		APVD R. REED 10APR2002		
		PRODUCT SPEC -	SIZE A3	CAGE CODE 4AFU8
MATERIAL 		FINISH	DRAWING NO DRC16-24SXE-P013	RESTRICTED TO -
		0 PLC ± 1 PLC ± 2 PLC ± 3 PLC ±.025 [0.64] 4 PLC ± ANGLES ±0°30'0"	APPLICATION SPEC -	SCALE 1.5:1
		WEIGHT -	SHEET 2 OF 2	REV A1
		CUSTOMER DRAWING		