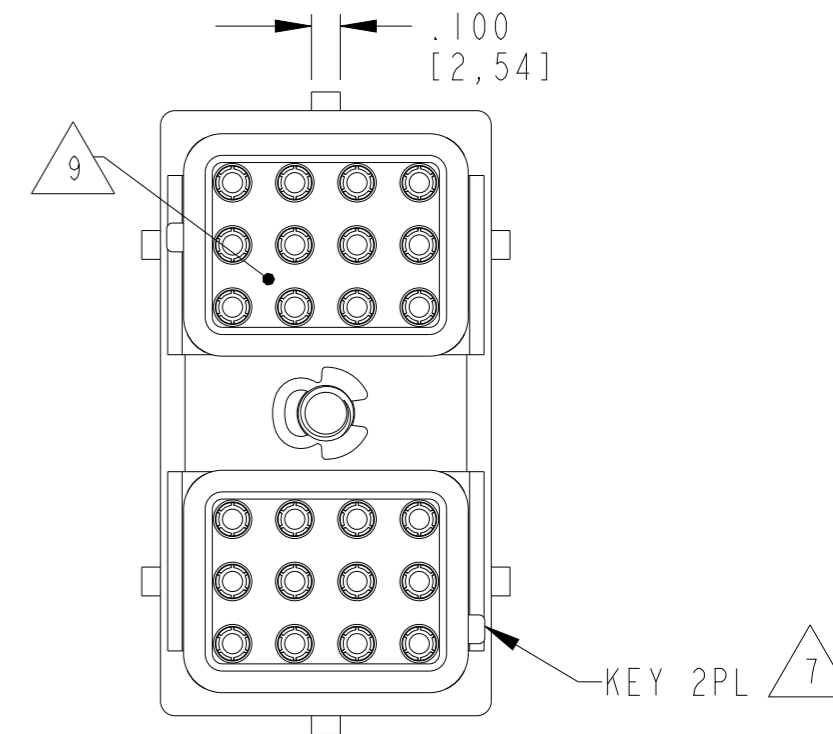
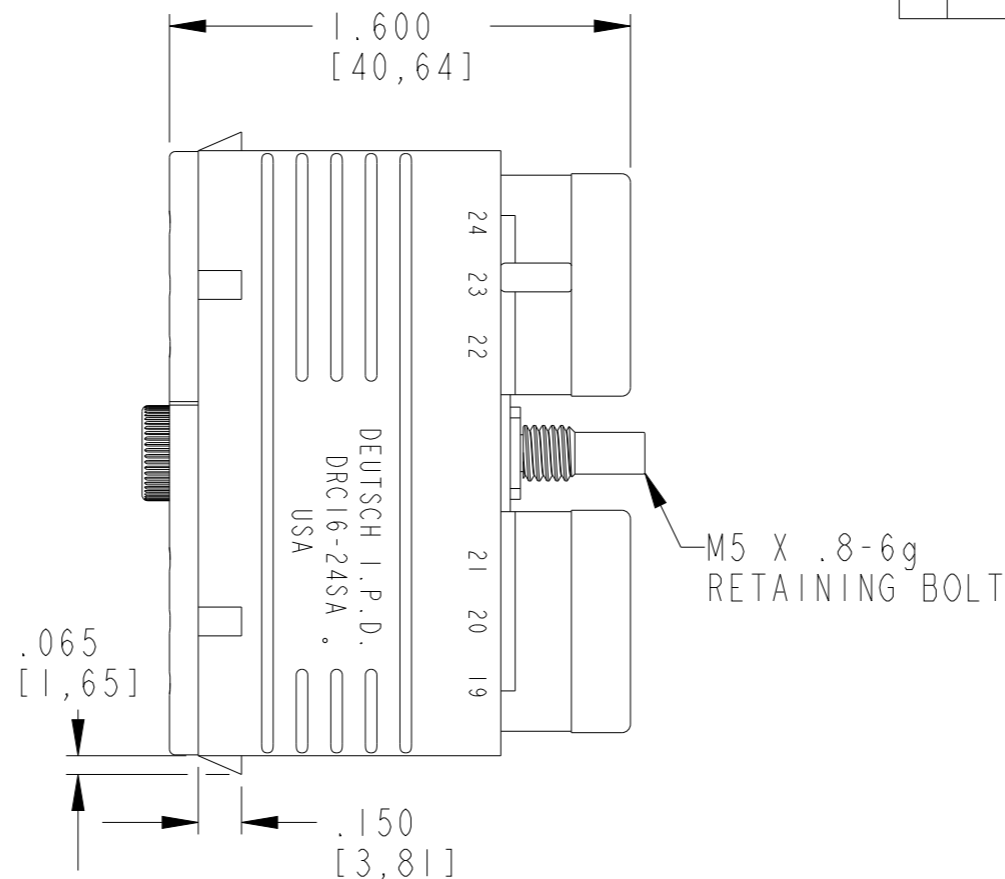
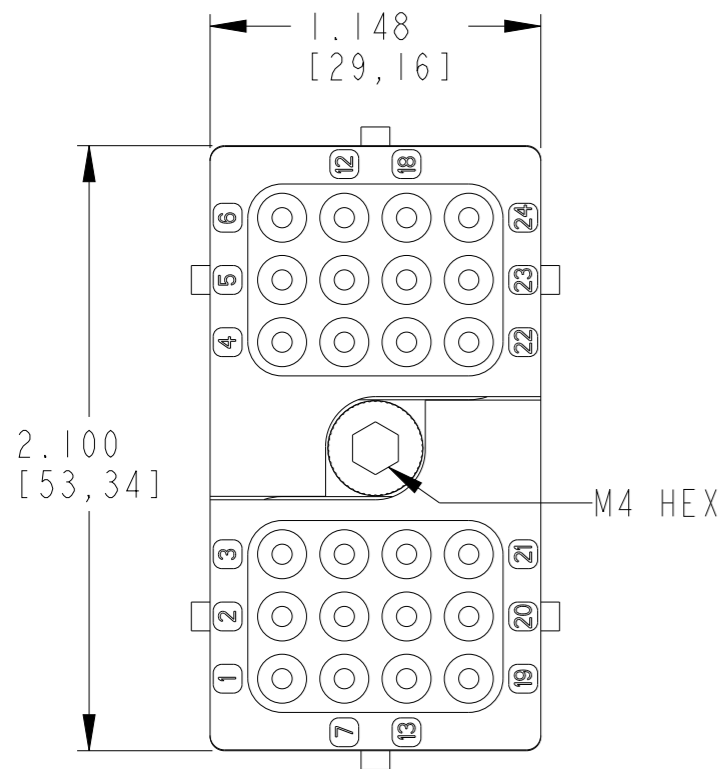


P	LTR	DESCRIPTION	DATE	DWN	APVD
	NC	NEW RELEASE PER E.O. PI7716	10APR02	-	RDR
	A	REVISED PER PCN-24-216230	17JUL2024	RK	CB



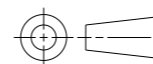
- 9. WEB SEAL HOLES MAY NOT BE COMPLETELY ALIGNED TO THE HOLES OF CONNECTOR BODY
- 8. MATING TORQUE REQUIREMENT: 25-28 IN-LB [2.82-3.13 Nm].
- 7. SEE SHEET 2 FOR OTHER KEY ARRANGEMENTS.
- 6. MATERIAL- PLUG: PLASTIC; SEAL/GROMMET: RUBBER; RETAINING BOLT: STEEL.
- 5. THIS PLUG MATES WITH DRC10-24P*-****; DRC12-24P*-****; DRC13-24P*-****; AND DRC14-24P*-**** RECEPTACLE. (*=A,B,C,D KEYS; ****=ALL MODIFICATIONS). CONSULT FACTORY FOR MODS.
- 4. FOR CONTACTS AND WIRE PERFORMANCE AND APPLICATION CHARACTERISTICS, SEE ENVELOPE DRAWING 0425-015-0000.
- 3. PLUG SUPPLIED WITH DUST CAP. (NOT SHOWN).
- 2. DIMENSION TOLERANCE: ±.025 [.64].
- 1. DIMENSIONS ARE IN INCHES [mm].

MIN. INSUL. O.D.	MAX. INSUL. O.D.	WIRE RANGE [mm ²] REF ONLY
.100 [2.54]	.134 [3.40]	14-20 AWG [2.0-0.50]

NOTES: UNLESS OTHERWISE SPECIFIED

THIS DRAWING IS A CONTROLLED DOCUMENT.

DIMENSIONS: INCHES [mm]



TOLERANCES UNLESS OTHERWISE SPECIFIED:
 0 PLC ±-
 1 PLC ±-
 2 PLC ±-
 3 PLC ±.025 [.64]
 4 PLC ±-
 ANGLES ±-
 FINISH -

MATERIAL -

DWN	D. MEYER	08APR02
CHK	-	09APR02
APVD	-	10APR02
PRODUCT SPEC	-	-
APPLICATION SPEC	-	-
WEIGHT	-	-
CUSTOMER DRAWING		

STE TE Connectivity

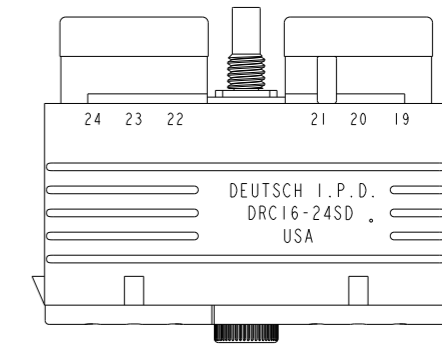
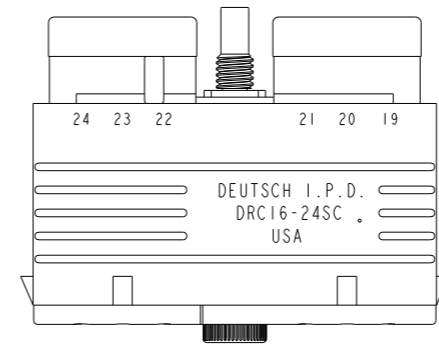
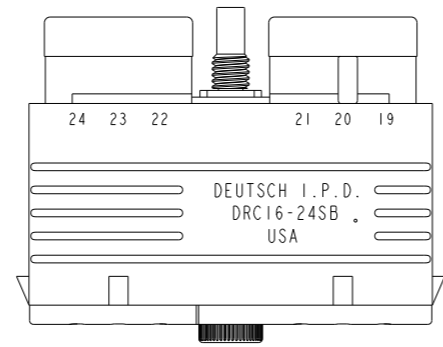
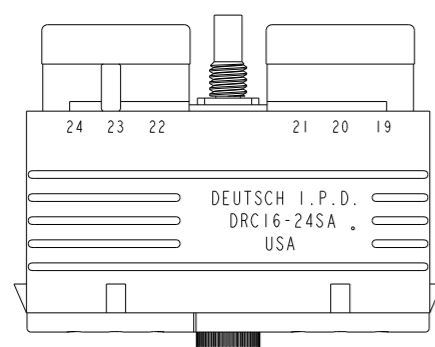
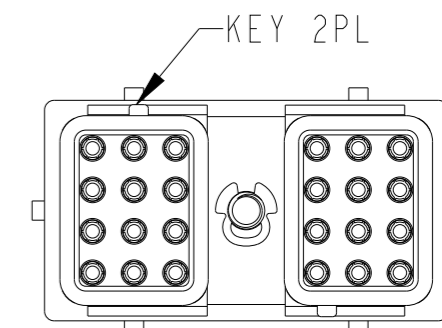
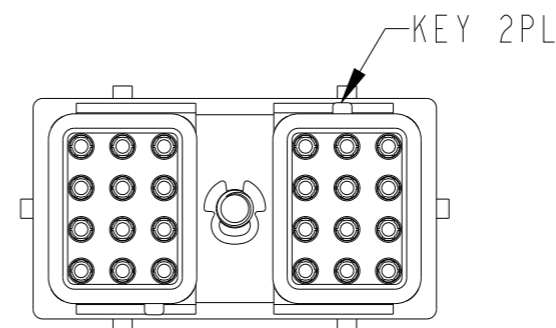
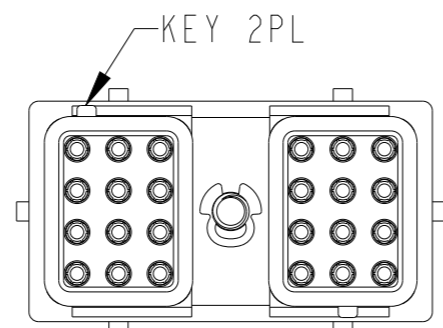
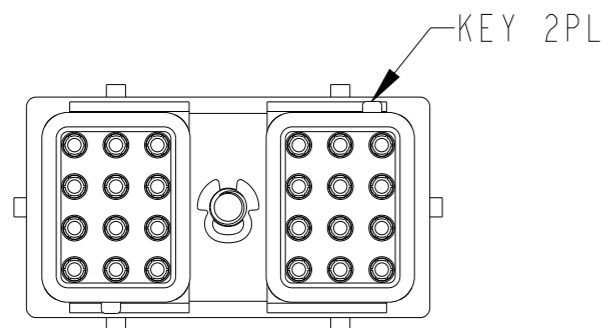
NAME: PLUG 24 SIZE 16
 KEYS: A,B,C,D COLOR: BLACK
 DRC SERIES

SIZE	CAGE CODE	DRAWING NO	RESTRICTED TO
A3	00779	©-DRC16-24SX	-

SCALE 1.5: SHEET 1 OF 2 REV A

REVISIONS

P	LTR	DESCRIPTION	DATE	DWN	APVD
		SEE SHEET 1			


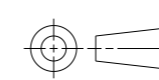


DRC16-24SA
KEY: -A-

DRC16-24SB
KEY: -B-

DRC16-24SC
KEY: -C-

DRC16-24SD
KEY: -D-

THIS DRAWING IS A CONTROLLED DOCUMENT.		DWN D. MEYER	08APR02	 TE Connectivity	
DIMENSIONS: INCHES [mm]		CHK -	09APR02		
		TOLERANCES UNLESS OTHERWISE SPECIFIED:		NAME PLUG 24 SIZE 16 KEYS: A,B,C,D COLOR: BLACK DRC SERIES	
MATERIAL -		FINISH -		APVD -	10APR02
		0 PLC ±- 1 PLC ±- 2 PLC ±- 3 PLC ±.025 [.64] 4 PLC ±- ANGLES ±-		PRODUCT SPEC -	APPLICATION SPEC -
		WEIGHT -		SIZE A3	CAGE CODE 00779
		CUSTOMER DRAWING		DRAWING NO DRC16-24SX	RESTRICTED TO -
		SCALE 1:1		SHEET 2 OF 2	REV A